

Stand alone enclosure

G127-102

Features:

- 1 slot din RAIL box.
- Integrated power supply.
- Two parts removable connectors
- 120 series compatible.



Description

The G127-102 box is designed for applications where only a single PSC is necessary. The DIN rail mounting make it very easy to install in every cabinet. All input/output are accessible through removable connectors. His integrated power supply make it very cost effective for single or two axis applications. Fronts panels are available for G122-202, F122-205 MOOG eurocard. Specific version could be available on request.

Dimension

W= 105 mm / L = 185 mm / I = 160 mm

Power Supply

INPUT : 24 V / 500 mA
OUPUT : +5V / 600 mA
+/-15V / 200 mA

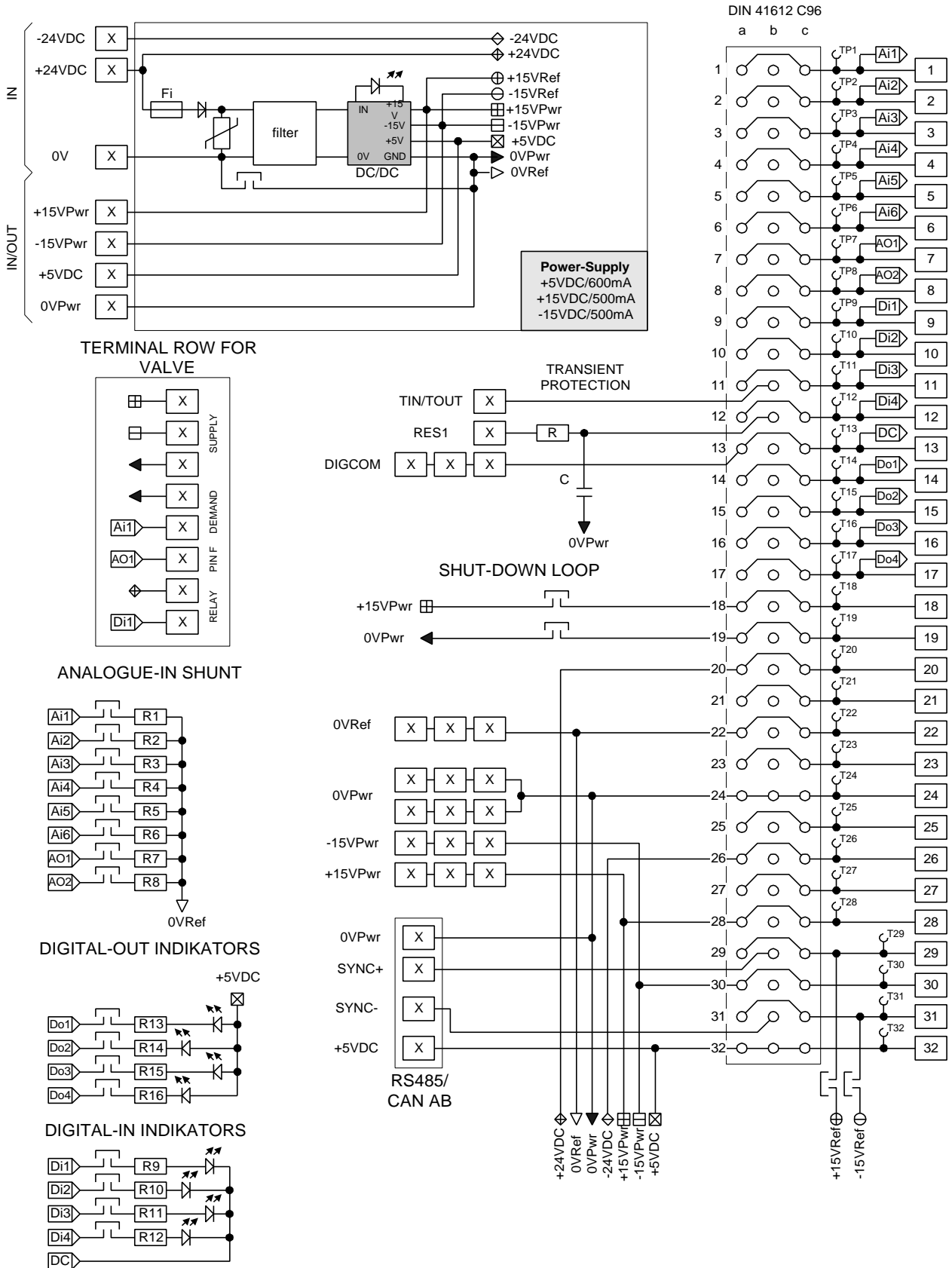
Extended functionality :

Digital In/Out indicator
Analog In/out Shunt

NORMES :

EN 500081-2
EN 500082-2
EN 50022

DIN-RAIL BOX FOR PSC AND ANALOGUE CARD



MOOG® S.à.r.l - 38 rue du MORVAN - 94573 RUNGIS CEDEX FRANCE.
 Tél : 33 1 45 60 70 00, Fax : 33 1 45 60 70 01

Melbourne Australia, Vienna Austria, Sao Paulo Brazil, Birkerod Denmark, Tewkesbury England, Espoo Finland, Rungis France, Boblingen Germany, Kwai Chung Hong Kong, Bangalore India, Ringaskiddy Ireland, Malnate (VA) Italy, Hiratsuka Japan, Kwangju Japan, Baguio Philippines, Singapore Singapore, Orio Spain, Gothenburg Sweden, East Aurora (NY) USA.
 Moog sarl pursues a policy of continuous development and reserve the right to alter designs and specifications without prior notice.
 Information contained herein is for guidance only and does not form part of a contract.