

# MOOG

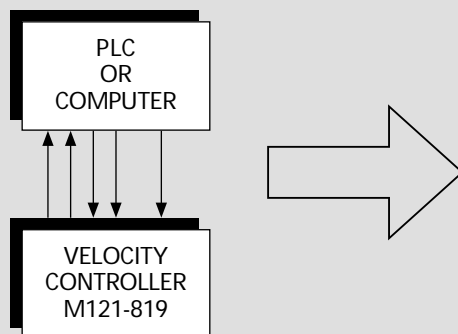
## PLC Compatible Velocity Controller Model M121-819

### Description

The Moog M121-819 series controller has been developed to meet the need for a general purpose system capable of interfacing with a variety of inputs (manual, PLC, process computer) to achieve reliable accurate velocity control.

Applications for the system include variable speed conveyors for apron feeders, canning lines, ore-handling, batch weighing, auger drives, pan filter drives or mixers.

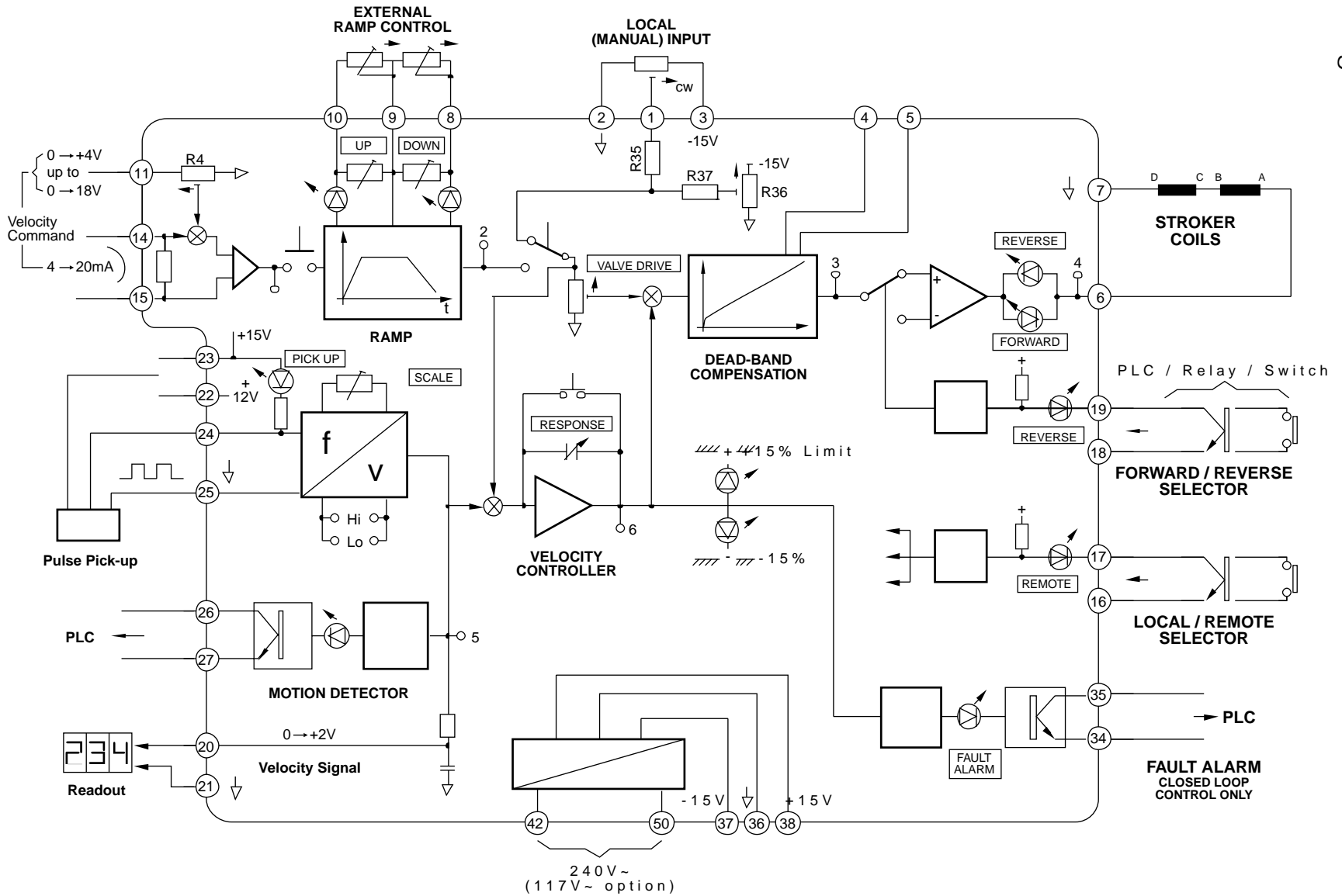
This M121-819 controller can be used in a number of control modes depending on the load requirements. Typically, the velocity is set by adjusting the displacement of a variable displacement piston pump but in some instances, it may be preferable to control the hydraulic motor directly with a servovalve or proportional valve.



### Features

To satisfy various control and safety requirements of the driven load, the following features are provided:

- interfaces directly with a **PLC**
- opto coupler and solid state switching is used for maximum reliability
- high level switched outputs for interfacing directly with standard industrial relays
- inbuilt power supply for 117VAC, 240VAC
- malfunction alarm indicates if the system is not holding command velocity and allows the appropriate action to be taken
- loss of feedback signal will not cause hardover condition
- motion detector provides indication to the PLC or control panel
- independent up/down ramp control either on board or external
- manual/auto select by PLC activated relay
- 0...5V analogue velocity signal
- easy to set up without any test equipment (i.e. no volt meter required) by means of inbuilt selector switches and LED's
- extensive use of LED's to indicate status and function selected



**MOOG**

Moog Australia Pty. Ltd. A.C.N. 005 599 584, 14 Miles Street, Mulgrave, Vic 3170. Telephone: + 61 3 9561 6044. Fax: + 61 3 9562 0246.

Moog pursues a policy of continuous development and reserves the right to alter designs and specifications without prior notice. Information contained herein is for guidance only and does not form part of a contract.

Australia: Melbourne ■ Austria: Vienna ■ Brazil: São Paulo ■ Denmark: Birkedal ■ England: Teckelsbury ■ Finland: Espoo ■ France: Rougny ■ Germany: Bollingen, Düsseldorf ■ Hong Kong: Sha Tin ■ India: Bangalore  
 Ireland: Ringsaskilly ■ Italy: Milan ■ Japan: Hiratsuka ■ Korea: Kangju ■ Kuwait: ■ Philippines: Baguio City ■ Singapore: Singapore ■ Sweden: Askim ■ USA: East Aurora (NY)