

Dual Mobile Speed Controller M121-828

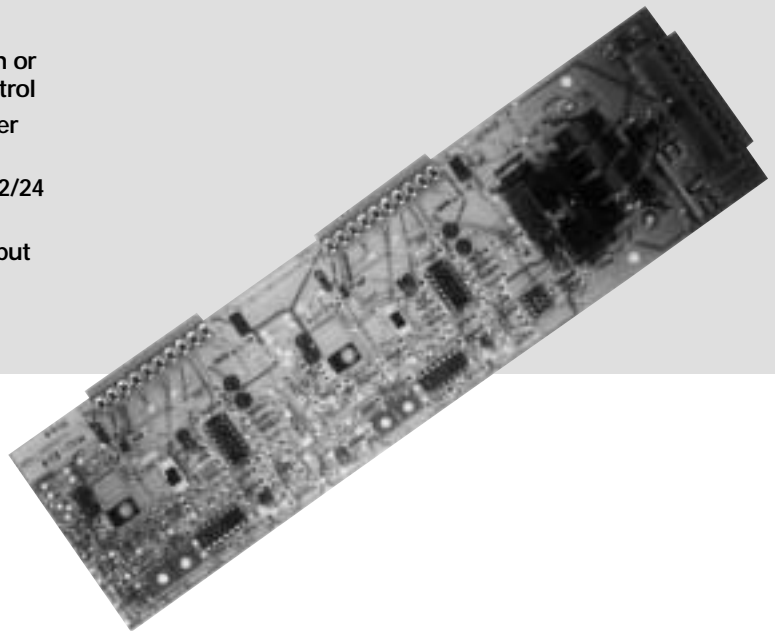
Description

The M121-828 is a dual mobile closed loop controller for applications requiring accurate speed control of motors driven by proportional valves or hydrostatic transmissions.

Applications on mobile equipment include sprayers, mixers, augers and product pump drives. This controller can also be configured as one pulse pick-up providing the speed command for the second loop, thus regulating spreading in relation to vehicle ground speed.

Features

- Simple setup/operation
- Low cost
- Typical +/- 1% long term speed accuracy
- Connector allows simple and quick board change-over
- Option for open or closed loop control
- Incorporates user friendly 'LEDS'
- Accepts noisy 12/24 Vdc input
- 100 V supply input protection



Specifications

Supply voltage range: 12/24 Vdc.

Input speed command: 500 Ohm to 5 kOhm
($\leq 1K$ for optimum linearity)

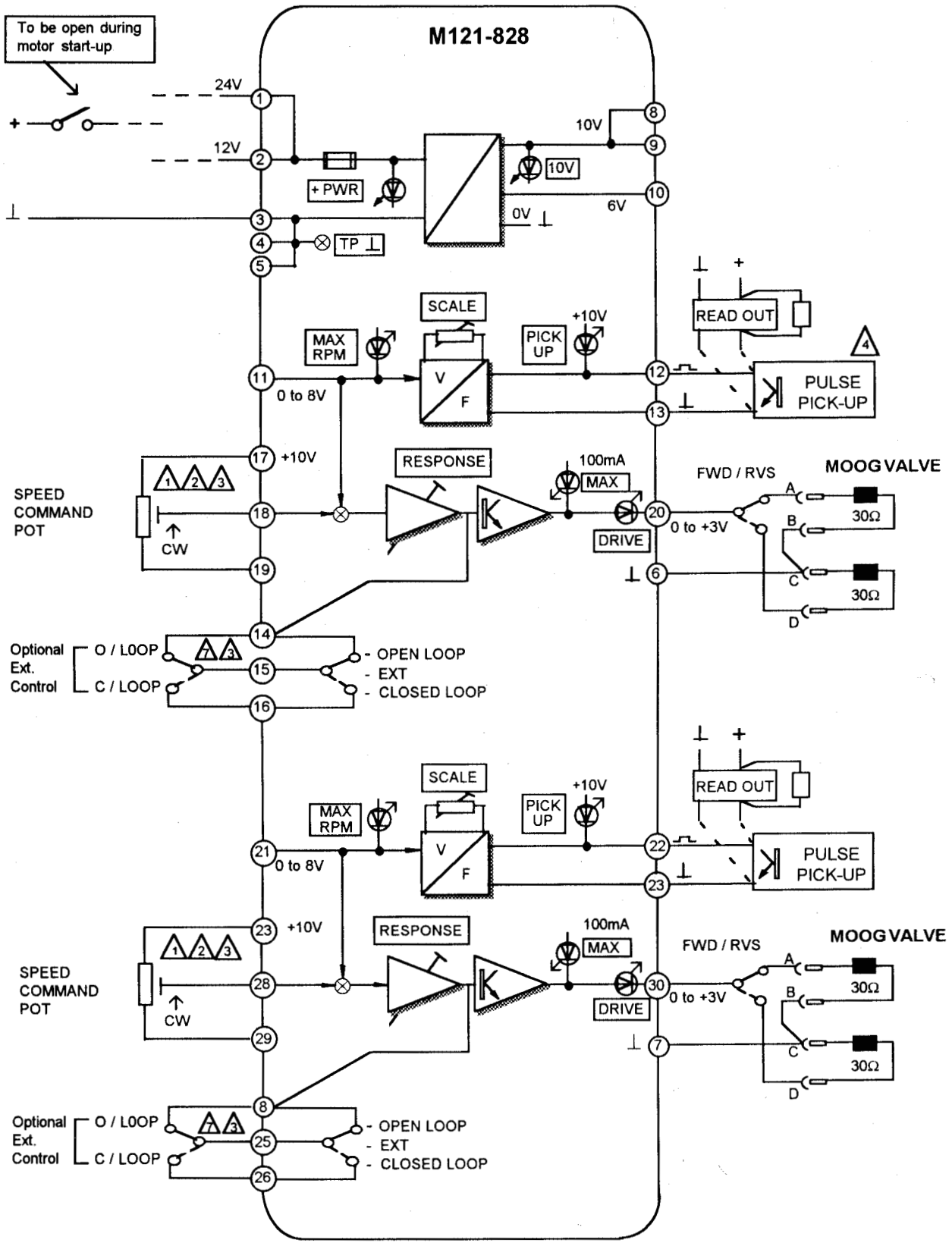
Feedback: Inductive pick-up type. (Moog type A26711) or open collector output

Value drive output: Configure ± 100 mA standard.
Other outputs available

Mounting: Snap Trac rail, Part No. A48192

Size: 294 mm x 81 mm

Weight: 270 g



- Notes (1) Potentiometer: 500 Ohm to 5 kOhm, < 2k for best linearity
 (2) Switch: choose gold plated contacts for long reliable life
 (3) Shielding: use if risk of electrical interference
 (4) Pulse pick-up: open collector type

MOOG

Moog Australia Pty. Ltd. A.C.N. 005 599 584, 14 Miles Street, Mulgrave, Victoria 3170. Telephone: + 61 3 9561 6044. Fax: + 61 3 9562 0246.

Moog Australia Pty. Ltd. pursues a policy of continuous development and reserves the right to alter designs and specifications without prior notice. Information contained herein is for guidance only and does not form part of a contract.
 Australia: Melbourne ■ Austria: Vienna ■ Brazil: Sao Paulo ■ Denmark: Birkerød ■ England: Tewkesbury ■ Finland: Espoo ■ France: Rungis ■ Germany: Boblingen, Dusseldorf ■ Hong Kong: Shatin ■ India: Bangalore
 Ireland: Ringaskiddy ■ Italy: Malnate (VA) ■ Japan: Hiratsuka ■ Korea: Kwangju-Kun ■ Philippines: Baguio City ■ Singapore: Singapore ■ Sweden: Askim ■ USA: East Aurora (NY)