

Addressable DAC Servoamp for multiple speed or position axes M122-815

Description

The M122-815 series Eurocard is a versatile servoamplifier with a PLC compatible 12 bit digital to analogue converter for input command and a four bit PLC compatible address input, for card selection in a multiple axes system. Jumper selectable options on the card enable a wide variety of applications to be met. Front panel LEDs monitor the performance of the loop for easy and instant troubleshooting. Status outputs to the PLC allow automatic control.

Features

- 12 bit PLC compatible digital command
- 4 bit PLC compatible card select address
- Feedback from pulse pick-up or analogue transducer
- ATSP output to PLC indicates when system is at speed
- 'Global ramp' input for common ramping of multiple axes
- Front panel LED indicators and test points for system monitoring
- Companion 'monitor card' M123-807 to monitor data bus and provide global ramp

Specifications

Size: 3U x 7HP Eurocard 100 mm x 160 mm

Power supply: ± 15 V at ± 30 mA
– 10 mA each for ERROR and 100% LEDs
+ 10 mA each for other front panel LEDs (5½ in all)

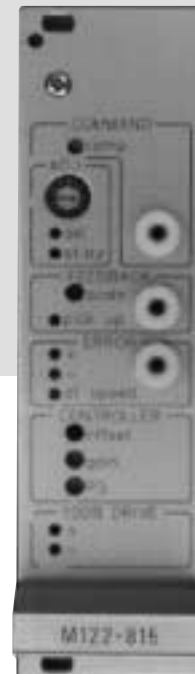
Valve drive: ± 50 mA maximum

Command I/P: 12 bit, low true, 10 k load

Address I/P: 4 bit, low true, 10 k load, 15 cards are addressable

LL1, LL2, STBY I/P: 1 bit each, low true, 10 k load

ATSP.O/P (AT SPEED): 1 bit, high true, 10 mA sink



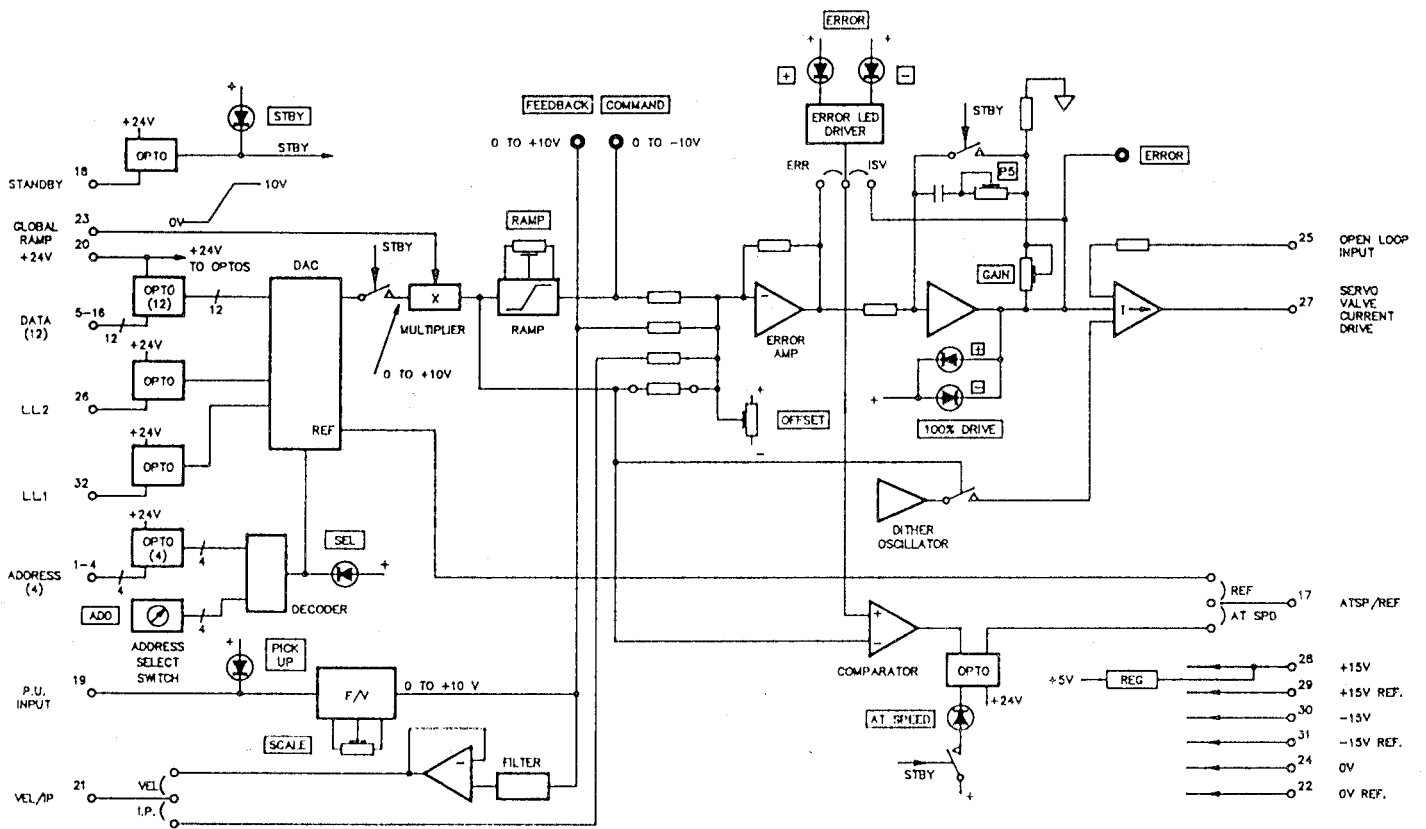
Jumper selects:

J6 to pin 17: D to A reference or AT SPEED output

J5 to pin 21: '0 to 10 V' velocity output from pulse pick-up 'F to V' converter, or spare input to error amplifier

J4: input to ERROR LEDs and ATSP comparator – I_{sc} or error amp output

J2, J3, R40: D to A range: 0 to 10 V or – 10 V to + 10 V



MOOG

Moog Australia Pty. Ltd. A.C.N. 005 599 584, 14 Miles Street, Mulgrave, Victoria 3170. Telephone: + 61 3 9561 6044. Fax: + 61 3 9562 0246.

Moog Australia Pty. Ltd. pursues a policy of continuous development and reserves the right to alter designs and specifications without prior notice. Information contained herein is for guidance only and does not form part of a contract.
 Australia: Melbourne ■ Austria: Vienna ■ Brazil: Sao Paulo ■ Denmark: Birkerød ■ England: Tewkesbury ■ Finland: Espoo ■ France: Rungis ■ Germany: Boblingen, Dusseldorf ■ Hong Kong: Shatin ■ India: Bangalore
 Ireland: Ringaskiddy ■ Italy: Malnate (VA) ■ Japan: Hiratsuka ■ Korea: Kwangju-Kun ■ Philippines: Baguio City ■ Singapore: Singapore ■ Sweden: Askim ■ USA: East Aurora (NY)