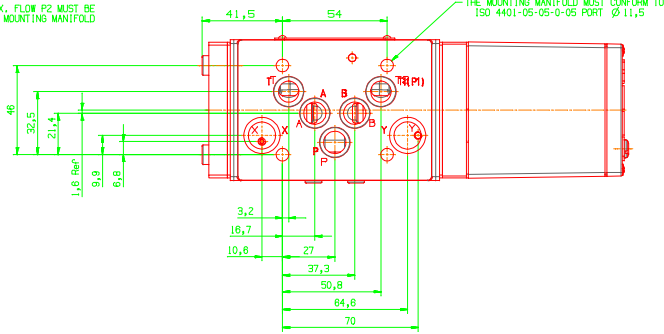
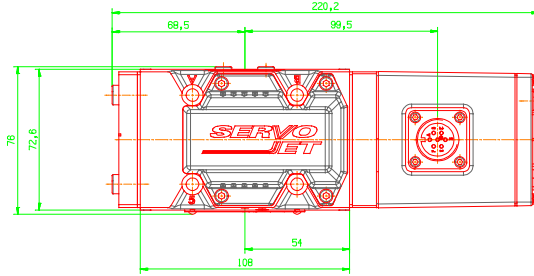
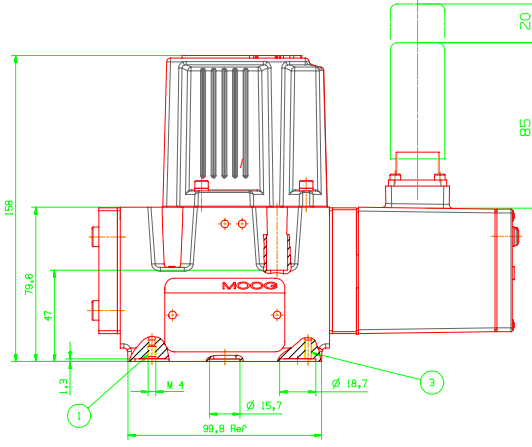
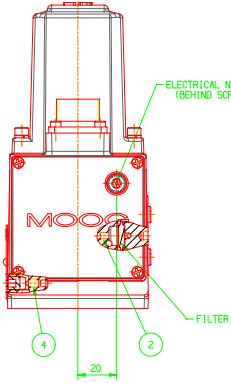


FOR MAX. FLOW P2 MUST BE IN THE MOUNTING MANIFOLD



ELECTRICAL NULL ADJUST (BEHIND SCREW PLUG)



### TECHNICAL DATA

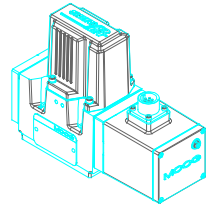
- OPERATING PRESSURE  
MAIN STAGE PORT P, A, B  
PORT T  
MAX 350 bar  
70 bar PRESSURE, SPIKES TO 210 bar (11\*) INTERNAL  
350 bar (11\*) EXTERNAL
- OPERATING FLUID  
RECOMMENDED  
ALLOWABLE  
MINERAL OIL BASED HYDRAULIC FLUID DIN 51524  
PART 1-3 (ISO 6743 PART 4)  
15 TO 45 mm<sup>2</sup>/s  
5 TO 400 mm<sup>2</sup>/s
- VISCOSITY  
RECOMMENDED  
ALLOWABLE  
FOR LONGER LIFE  
FOR NORMAL OPERATION  
FOR LONGER LIFE  
FOR NORMAL OPERATION  
#<sub>vis</sub> ≥ 75 (15 μm ABSOLUTE)  
#<sub>vis</sub> ≥ 75 (10 μm ABSOLUTE)
- FILTER RATING  
FOR NORMAL OPERATION  
FOR LONGER LIFE  
FOR NORMAL OPERATION  
RECOMMENDED CLEANLINESS CLASS  
ISO 4406 < 19/16/13  
ISO 4406 < 17/14/11
- TEMPERATURE RANGE  
AMBIENT  
FLUID  
-20° C to +80° C  
-20° C to +80° C
- SEAL MATERIAL  
NER, FPM, AND OTHERS ON REQUEST
- O-RINGS  
MOOG P/N XXXXX-004 (1D12, 4x Ø 1,8) (5x)  
MOOG P/N XXXXX-011 (1D15, 5x Ø 1,8) (2x)
- MOUNTING SURFACE  
AVERAGE SURFACE FINISH VALUE  
Ra ≤ 0,8 μm  
0,01 mm OVER A DISTANCE OF 100 mm
- MOUNTING BOLTS  
M6x80(4x) EN ISO 4762-10,9  
11 Nm (NOT INCLUDED IN DELIVERY)
- REQUIRED TORQUE  
MAX 80 l/min
- RATED FLOW AT 10 bar  
VALVE DROP  
≤ 3,0 mm
- SPOOL STROKE  
IP 65 WITH MATING CONNECTOR MOUNTED
- DEGREE OF PROTECTION (EN60529)

### GENERAL REQUIREMENTS

ALL SIGNAL LINES ALSO THOSE OF EXTERNAL TRANSFORMERS, SHIELDED, SHIELD CONNECTED RADIALLY TO 10V POWER SUPPLY SIDE, AND CONNECTED TO THE MATING CONNECTOR HOUSING (EMC).  
EMC: MEETS THE REQUIREMENTS OF EN 60014/03-01 CLASS B, EN 50081-1/01-02 AND EN 50082-2/03-05, PERFORMANCE CRITERION CLASS A, PROTECTIVE GROUNDING LEAD ≥ 0,75 mm<sup>2</sup>.  
NOTE: WHEN MAKING ELECTRICAL CONNECTIONS TO THE VALVE (SHIELDED/PROTECTIVE GROUNDING) APPROPRIATE MEASURES MUST BE TAKEN TO ENSURE THAT LOCALLY DIFFERENT EARTH POTENTIALS DO NOT RESULT IN EXCESSIVE GROUND CURRENTS. SEE ALSO MOOG APPLICATION NOTE T959 E.

### CONVERSION INSTRUCTION

PILOT FLOW SUPPLY	SET SCREW M4x6	PILOT FLOW RETURN	SET SCREW M4x6
INTERNAL P	<input type="radio"/> CLOSED <input type="radio"/> OPEN	INTERNAL T	<input type="radio"/> CLOSED <input type="radio"/> OPEN
EXTERNAL X	<input type="radio"/> CLOSED <input type="radio"/> OPEN	EXTERNAL Y	<input type="radio"/> CLOSED <input type="radio"/> OPEN



No.	Benennung	Stück	Info-Nr.	Werkstoff / Bemerkung / Info.
1	MOOG Servovalve	1		
2	MOOG Servovalve	1		
3	MOOG Servovalve	1		
4	MOOG Servovalve	1		
5	MOOG Servovalve	1		
6	MOOG Servovalve	1		
7	MOOG Servovalve	1		
8	MOOG Servovalve	1		
9	MOOG Servovalve	1		
10	MOOG Servovalve	1		
11	MOOG Servovalve	1		
12	MOOG Servovalve	1		

INSTALLATION DRAWING  
5-WAY PROPORTIONAL VALVE  
SERIES D661-B  
MOOG  
C21850