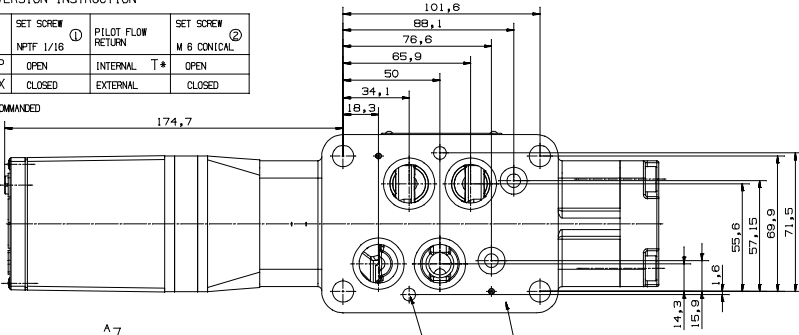


CONVERSION INSTRUCTION

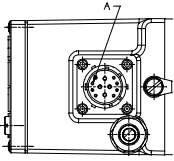
PILLOT FLOW SUPPLY	SET SCREW NPTF 1/16 ①	PILLOT FLOW RETURN	SET SCREW M 6 CONICAL ②
INTERNAL P	OPEN	INTERNAL T*	OPEN
EXTERNAL X	CLOSED	EXTERNAL	CLOSED

* PORT Y RECOMMENDED

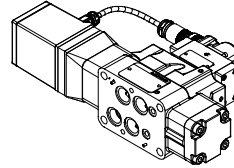


THE MOUNTING MANIFOLD MUST CONFORM TO ISO 4401-07-06-0-94 PORT Ø 20

SCREWS ONLY AT OPERATING PRESSURE FROM 210 BAR



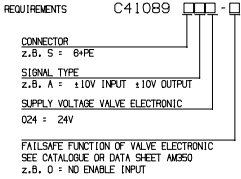
DETAIL C-C



TECHNICAL DATA

- OPERATING PRESSURE: MAX 350 BAR
- MAIN STAGE PORT P, A, B: 210 BAR (Y EXTERNAL 350 BAR)
- PORT T: 15 TO 200 BAR
- PILOT VALVE D633-7: MINERAL OIL-BASED HYDRAULIC FLUID (DIN 51524, PART 1 TO 9)
- OPERATING FLUID VISCOSITY: 15 TO 45 MM²/S (RECOMMENDED ALLOWABLE 5 TO 400 MM²/S)
- OPERATING FLUID VISCOSITY: 15 TO 45 MM²/S (ALLOWABLE)
- TEMPERATURE RANGE: -20 °C TO +60 °C
- AMBIENT FLUID: -20 °C TO +60 °C
- SEAL MATERIAL: NBR (OTHERS ON REQUEST)
- O-RINGS: MOOG P/N XXXXX-129 (ID21, 89x #2, 81) (4x); MOOG P/N XXXXX-022 (ID10, 82x #1, 81) (2x)
- MOUNTING SURFACE: FLATNESS 0,01MM OVER A DISTANCE OF 100MM
- ROUGHNESS: RA BETTER THAN 0,8µm
- MOUNTING BOLTS: M10x60 (4x) M6x55 (2x) EN ISO 4782-10, 9 (NOT INCLUDED IN DELIVERY)
- REQUIRED TORQUE: 05 Nm
- RATED FLOW: ISO/L/50L/MIN AT ΔP V = 5 BAR PER LAND
- MAIN SPOOL STROKE: ± 5 MM
- STROKE LIMIT: ± 9 MM
- DEGREE OF PROTECTION: EN60529: IP65 (WITH MATING CONNECTOR MOUNTED)
- SPOOL POSITION: SEE TABLE
- VIBRATION: MANIFOLD TO LVDT-SKOOK-REDUCTION

GENERAL REQUIREMENTS

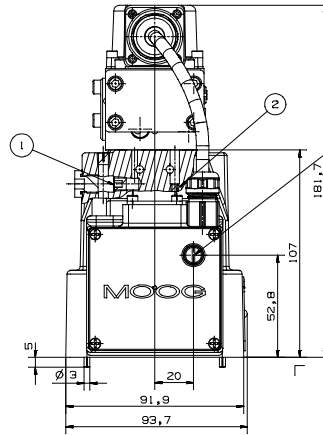
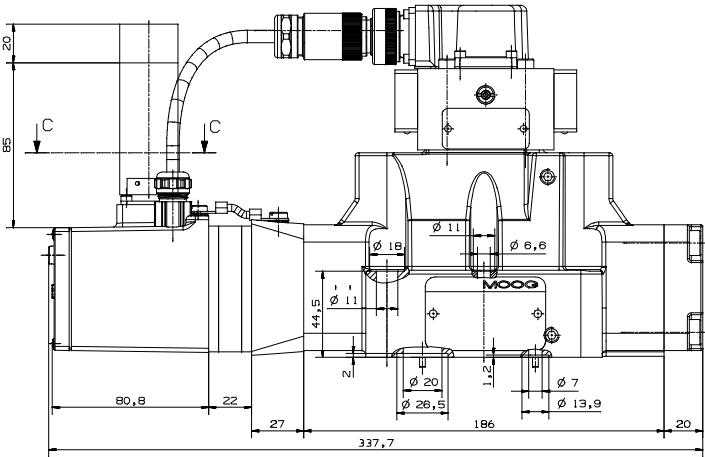


TYPE DESIGNATION

C72464
HYDRAULIC SCHEMATIC
DWG-NO B90747

MAIN SPOOL TYPE

WARNING !
THE ELECTRICAL MALL ADJUST BEHIND SCREW PLUG MUST NOT BE CHANGED IF THE POSITION OF THE MAINSPOOL IS MONITORED



File No.	Description	Rev.	Part-No.	Mod./ Rough dwt/ Info
1	Release alternative specification			
2	Tolerancing according to DIN ISO 2768			
3	Dimensional tolerances: 0.2/0.15/0.1			
4	Surface finish: Ra 0.4/0.2/0.1			
5	Layer thickness: 0.05			
6	Surface quality: 125			
7	Non-dimensional tolerance values: 0.0008			
8	Surface texture: 1.25/0.008			

2003 Date Name Date Name Description
 Press. U.L. B907 (Dist.)
 Check. M. RIF (Dist.) M. RTF
 Mfg. (Dist.)
 (Dist.)

Title: INSTALLATION DRAWING
 2STAGE PROPORTIONAL VALVE
 SERIES D662-P PILOT VALVE D630
 Drawing-No.: C72464
 880 | Ingenieurbüro
 This is a CAD drawing and must not be edited by hand!