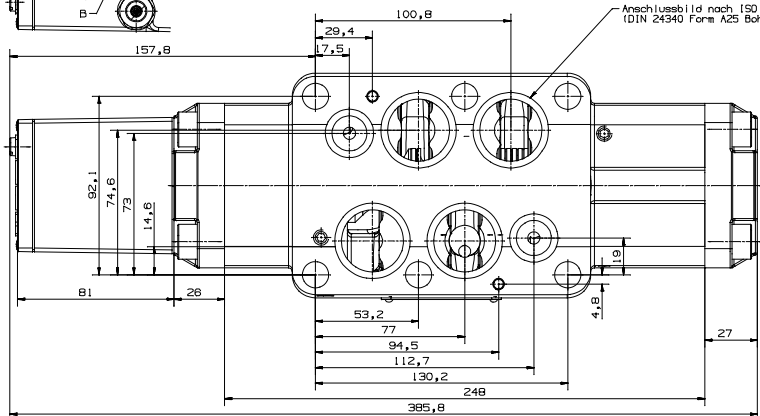
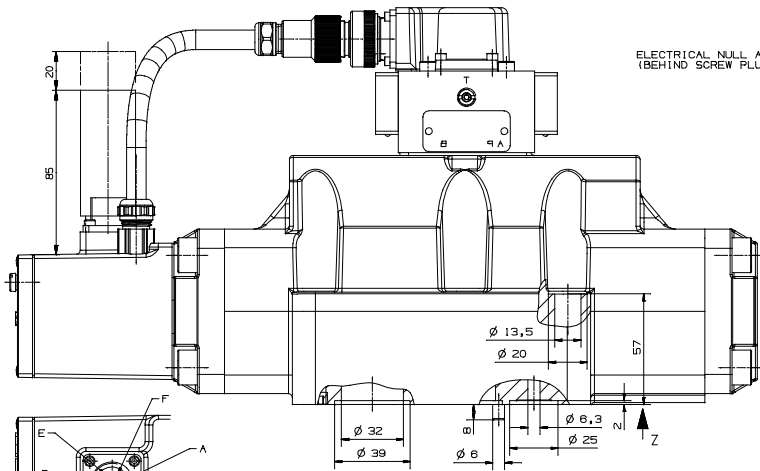


CONVERSION INSTRUCTION

PILOT FLOW SUPPLY	SET SCREW NPTF 1/16	PILOT FLOW RETURN	SET SCREW M 6 CONICAL
INTERNAL P	OPEN	INTERNAL T*	OPEN
EXTERNAL X	CLOSED	EXTERNAL	CLOSED



TECHNICAL DATA

OPERATING PRESSURE  
 MAIN STAGE PORT P, A, B MAX 350 BAR  
 PORT T 210 BAR (Y EXTERNAL 350 BAR)  
 PILOT VALVE D081-B 15 TO 220 BAR ; WITH DROPPING ORIFICE MAX 350 BAR

OPERATING FLUID  
 VISCOSITY RECOMMENDED MINERAL OIL BASED HYDRAULIC FLUID (DIN 51524, PART 1 TO 3)  
 ALLOWABLE 15 TO 45 MM<sup>2</sup>/S  
 5 TO 400 MM<sup>2</sup>/S

FILTER RATING  
 FOR NORMAL OPERATION  $\beta_{10} > 75$  (15µm ABSOLUTE)  
 FOR LONGER LIFE  $\beta_{10} > 75$  (10µm ABSOLUTE)

RECOMMENDED CLEANLINESS CLASS  
 FOR NORMAL OPERATION ISO 4408 <19/18/13  
 FOR LONGER LIFE ISO 4408 <17/14/11

TEMPERATURE RANGE  
 AMBIENT FLUID -20°C TO +80°C  
 SEAL MATERIAL -20°C TO +80°C  
 O-RINGS NBR (OTHERS ON REQUEST)

MOUNTING SURFACE  
 ROUGHNESS MOOG P/N XXXXX-113 (1034,8 x ø2,8) (4x)  
 MOOG P/N XXXXX-135 (1020,23xø2,8) (2x)  
 FLATNESS 0,01MM OVER A DISTANCE OF 100MM  
 RA BETTER THAN 0,8µm

MOUNTING BOLTS M1,2x75 EN ISO 4762-10.9 (NOT INCLUDED IN DELIVERY)

RATED FLOW 94 Nm  
 D663 D664 350L/MIN 550L/MIN AT ΔPv = 5 BAR PER LAND  
 1 4,5 MM 1 6 MM  
 t 5 MM t 7 MM  
 EN50529 IP65 (WITH MATING CONNECTOR MOUNTED)

DEGREE OF PROTECTION  
 SPOOL POSITION SEE TABLE

GENERAL REQUIREMENTS

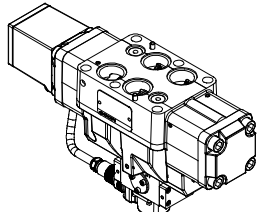
C41088

CONNECTOR  
 z.B. S = 6+PE

SIGNAL TYPE  
 z.B. A = ±10V INPUT ±10V OUTPUT

SUPPLY VOLTAGE VALVE ELECTRONIC  
 015 = ±15V  
 024 = 24V

FAILSAFE FUNCTION OF VALVE ELECTRONIC  
 SEE CATALOGUE OR DATA SHEET AM350  
 z.B. 0 = NO ENABLE INPUT



TYPE DESIGNATION

C41489

HYDRAULIC SCHEMATIC  
 DWG-NO B90747

MAIN SPOOL TYPE

TYPE DESIGNATION	SYSTEM PRESSURE	PILOT PRESSURE AT INTERNAL P1	SPOOL POSITION	VALVE ELECTRONICS
O	≥15 BAR	≥15 BAR	UNDEFINED	
F	≥15 BAR	≥15 BAR	P → B, A → T	ON OR OFF RELEASER
D	>15 BAR	< 1 BAR	P → B, A → T	RELEASER
	≥15 BAR	≥15 BAR	P → A, B → T	ON OR OFF RELEASER
	>15 BAR	< 1 BAR	P → A, B → T	RELEASER
M	≥15 BAR	≥15 BAR	SPOOL POSITION "M"	RELEASER
	>15 BAR	< 1 BAR	SPOOL POSITION "M"	RELEASER

File No.	Description	Qty	Part-No.	Mat./ Rough dim/ Info
	Release otherwise specified tolerancing principle to DIN ISO 2768-Ⓢ			
	Dimensions: 0,1/0,2/0,3			
	Surface treatment:			
	Process:			
	Surface treatment:			
	Layer thickness:			
	Surface quality to ISO 1302:			
	Non dimensional edge radii to ISO 1302:			
2023	Date	Name	Date	Name
Pres.	Ulf	Ulf		
Check	Ulf	Ulf		
MP				
Material				

INSTALLATION DRAWING  
 3STAGE PROPORTIONAL VALVE  
 SERIES D663/4-P PILOT VALVE D630

MOOG  
 8801 Ingersoll Drive  
 Lincoln, Nebraska

First use Drawing No.: C41489

Scale: 1:1

Sheet: 2/2

This is a CAD drawing and must not be edited by hand!