

## 907-FLEX

### Modular Media Converter

#### Description

The 907-FLEX is a modular media converter capable of providing digital video, analog video, Ethernet or OEO (Optical-Electrical-Optical) conversion. Although many custom configurations are possible, the 907-FLEX is available in three standard offerings: HD4 - Quad HD Video, HDA - Dual HD Video and Dual Analog Video or HDE - Dual HD Video and Gigabit Ethernet. Customized OEO versions are available to boost optical signals, switch between fiber types or change wavelengths.

The 907-FLEX runs from a +5 VDC power supply, as normally required for the 907 product family, but is also available in a version for +12 VDC power.

Common transceiver options provide optical power budgets of 24 dB with up to 10 km of singlemode fiber. Coarse wave division multiplexer (CWDM) transceivers and optical cards are used to combine the 907-FLEX with multiple 907 media converters or other multiplexers. Also, the 907-FLEX supports mounting for a on-board CWDM module, creating a standalone single fiber solution.

#### Features

- Standard offerings for Quad (4) HD Video (HD4), Dual (2) HD Video and Dual (2) Analog Video (HDA) or Dual HD (2) Video and Gigabit Ethernet (HDE)
- HD Video complies with SMPTE-424M (3G-SDI), SMPTE-292M (HDSDI), SMPTE-259M (SDI)
- 10/100/1000 Mbps Ethernet, low latency
- NTSC composite analog video
- Interchangeable SFP optical transceivers
- Rugged design for harsh environments
- Compatible with 907-DIAG-E diagnostic card and Graphical User Interface (GUI) software

#### Benefits

- Reduces costs of systems using multiple digital video, multiple analog video and Ethernet
- Replaces multiple media converters
- Supports a wide range of optical options, including CWDM wavelengths
- Simplifies troubleshooting with advanced diagnostics
- Reduces space requirements



#### Typical Applications

- Remotely Operated Vehicles (ROVs)
- Armoured Vehicles
- Tethered Aerostats
- Video Security Systems
- OEO Converters
- Fiber-optic Repeaters

**FOCAL**<sup>™</sup>

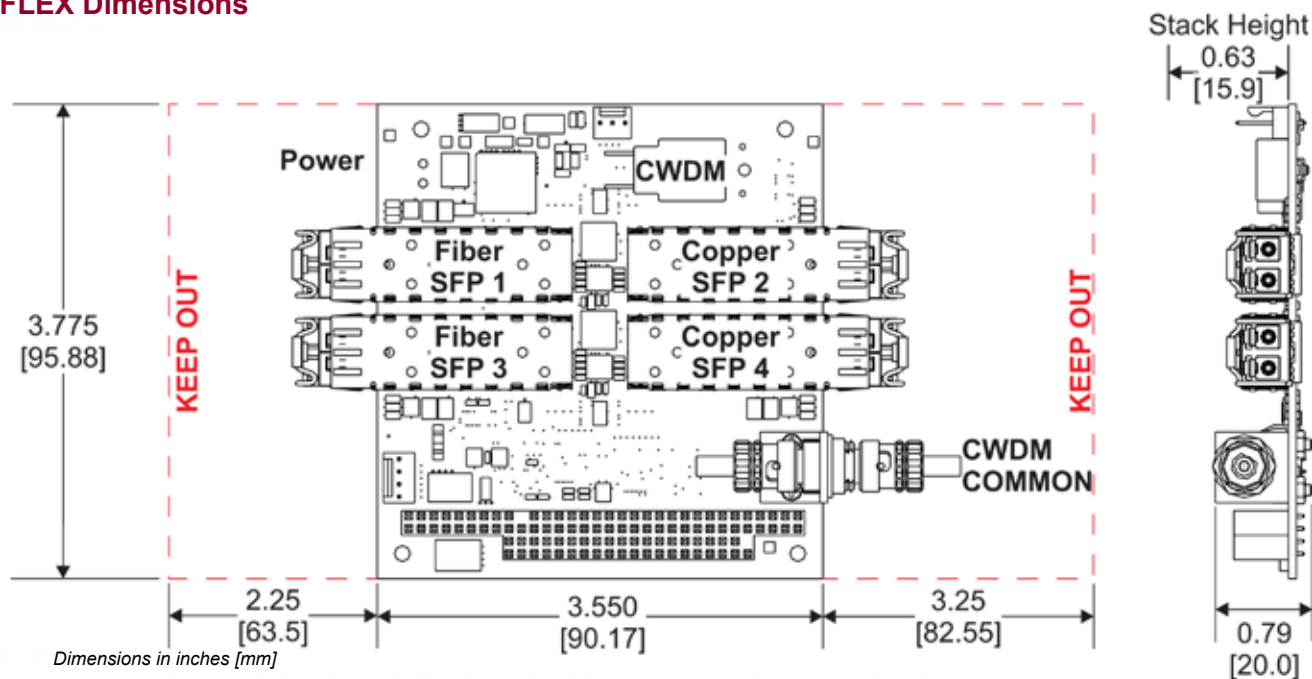
**MOOG**  
COMPONENTS GROUP

# Model 907 Data Sheet

HD4 - Quad HD Video	
No. of Channels	4
HD Format	3G-SDI (SMPTE-424M), HD-SDI (SMPTE-292M), SD-SDI (SMPTE-259M) - 1080p/1080i/720p
Video Impedance	75 Ohms input/output
Video Latency	< 1 $\mu$ s (not including fiber, ~5 $\mu$ s/km)
Optical Fiber	4 x singlemode (9/125 $\mu$ m)
Baud Rate	2.97 Gbaud max.
Wavelength	1471 - 1531 nm (standard)
HDA - Dual HD Video and Dual Analog Video	
No. Channels	2 x HD Video, 2 x Analog Video
HD Format	3G-SDI (SMPTE-424M), HD-SDI (SMPTE-292M), SDI (SMPTE-259M) - 1080p/1080i/720p
Analog Format	NTSC
Video Impedance	75 Ohms input/output, HD and analog
Video Latency	< 1 $\mu$ s (not including fiber, ~5 $\mu$ s/km)
Optical Fiber	4 x singlemode (9/125 $\mu$ m)
Baud Rate	2.97 Gbaud max.
Wavelength	1471 - 1531 nm (standard)
Mechanical (Common to all standard offerings)	
Dimensions	PC/104 (form-factor only)
Options	Standard and custom enclosures
Electrical (Common to all standard offerings)	
Power Voltage	+5.0 VDC +/- 10%, regulated
Power Current	1.0 A typical (1.5 A max.)
Protection	Overvoltage, undervoltage, reverse polarity, 3 A time-delay fuse
Options	+12 VDC factory option

HDE - Dual HD Video and Gigabit Ethernet	
No. Channels	2 x HD Video, 1 x Gigabit Ethernet
HD Format	3G-SDI (SMPTE-424M), HD-SDI (SMPTE-292M), SDI (SMPTE-259M)
Video Impedance	75 Ohms input/output, HD and analog
Video Latency	< 1 $\mu$ s (not including fiber, ~5 $\mu$ s/km)
Ethernet Data Rates	10/100/1000 BASE-T(X)
Ethernet Latency	< 1 us (not including fiber, ~5 us/km)
Optical Fiber	4 x singlemode (9/125 $\mu$ m)
Baud Rate	2.97 Gbaud max. (HD), 1.25 Gbaud (Ethernet)
Wavelength	1471 - 1531 nm (standard)
Optical (Common to all standard offerings)	
Optical Budget	> 24 dB (26 dB typical)
Options	On-board CWDM
Connectors (Common to all standard offerings)	
Optical	LC (1 or 2 per SFP)
Video	HD-BNC (digital and analog)
Ethernet	RJ-45
Power	2-pin Molex, 0.156 inch spacing
Options	Optical ST/PC when CWDM on-board
Environmental (Common to all standard offerings)	
Temperature	-10°C to +60°C (operational) -40°C to +85°C (storage)
Humidity	85% RH, non-condensing
Vibration	5 g, 25 - 1000 Hz, 3 axes
Shock	30 g, 11 ms half sine, 3 axes

## 907-FLEX Dimensions



**Note:** These are standard commercial products that are available with many options or configurations not explicitly shown.