

# INSTALLATION GUIDE

## AC6231 Commercial Slip Ring Assembly

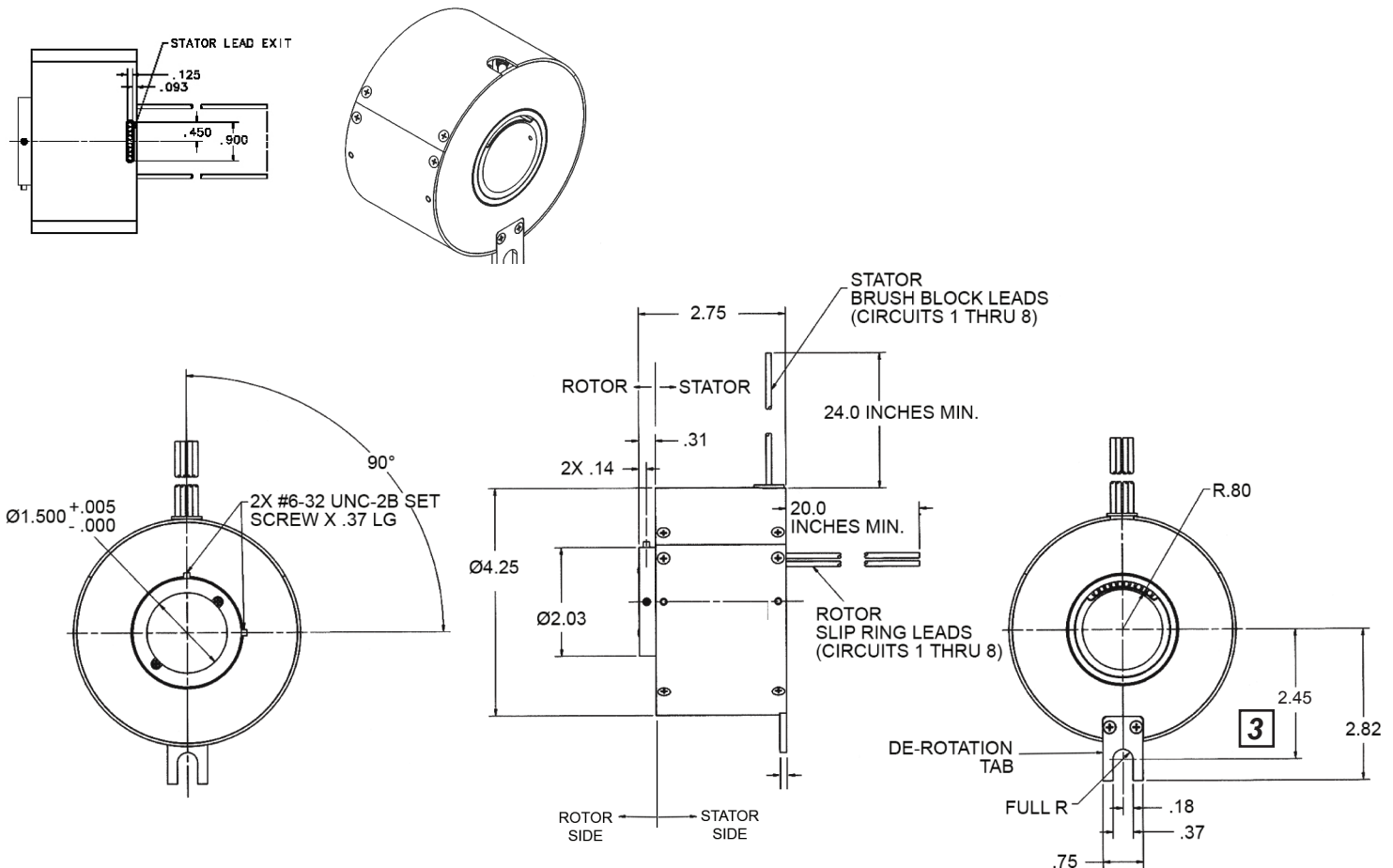
### Proper Use and Mounting Instructions

#### Shaft mounted units:

1. Position the slip ring in the desired location and equally tighten both set screws (6-32 x .50 supplied) to the shaft. Maximum torque 25 lb-in (DO NOT OVER TORQUE)
2. Route the wiring and make the necessary connections. Do not allow the stator side wiring to restrict free rotation of the slip ring. Do not constrict wiring such that wire flexing (cold working) occurs. Doing so will ultimately cause failure (breakage of the wiring).

3. Position a 5/16" (max. dia.) screw or dowel (not supplied) in the anti-rotation tab to the 2.45" dimension as shown.

**CAUTION:** Because of possible geometric mismatching between the customer's application and the slip ring, "hard mounting" of both ends of the slip ring (i.e., securing the rotor and stator such that there is NO floating of the stator anti rotation tab during operation) is not recommended and may cause premature failure.



\* Dimensions are in inches

Specifications and information are subject to change without prior notice.  
© 2008 Moog Inc. MS2090 5/08

**MOOG**  
COMPONENTS GROUP

800/336-2112 • 540/552-3011 • FAX 540/557-6400 • 1213 North Main Street Blacksburg, VA 24060

www.moog.com/components • email: mcg@moog.com