

## AC6373

### *Compact slip ring capsule*

#### **Description**

A slip ring can be used in any electromechanical system that requires unrestrained, continuous rotation while transferring power and / or data from a stationary to a rotating structure. A slip ring is also called a rotary electrical interface, commutator, collector, swivel or an electrical rotary joint.

The AC6373 miniature capsule provides up to 12, 2 amp rated contacts in a small, 1/2 inch diameter design. Color-coded lead wires are provided on both the rotor and stator to allow simplified electrical connections. Similar in design to our very popular AC6023 family, the AC6373 allows tremendous flexibility in dealing with system size restrictions. It is available in 6 and 12 circuit configurations.

#### **Features**

- 6 and 12 circuit models
- 2 amp, 120 VAC circuits
- Precision assembly to provide exceptional rotational life
- Speeds up to 100 rpm
- Compact size 1/2 inch diameter, .58 inch or .83 inch long
- Gold
- Mounting flange on housing
- Flexible, color-coded, silver-plated, stranded copper lead wire
- Superior handling of low level control signals

#### **Benefits**

- Extremely compact
- Low torque
- Quick shipment
- High bandwidth transfer capability



#### **Typical Applications**

- CCTV pan / tilt camera mounts
- Medical equipment
- Robot end effectors
- Miniature cable reels
- Laboratory equipment

# Slip Ring Capsules (Compact)

AC6373 Specifications	
Operating Speed	100 rpm*
Number of Circuits	6 or 12
Lead Lengths	12, 24, 36 and 48 inches
Lead Size / Type	28 (7 / 36) silver plated copper Type ET Teflon® insulated
Voltage	120 VAC
Max. Ambient Temp.	-40°C to +80°C
Contact Material	Gold
Current Rating	2 amps / circuit
Noise	60 milliohms max.

\*Please note that the operational life of the unit is dependent upon rotational speed, environment and temperature.

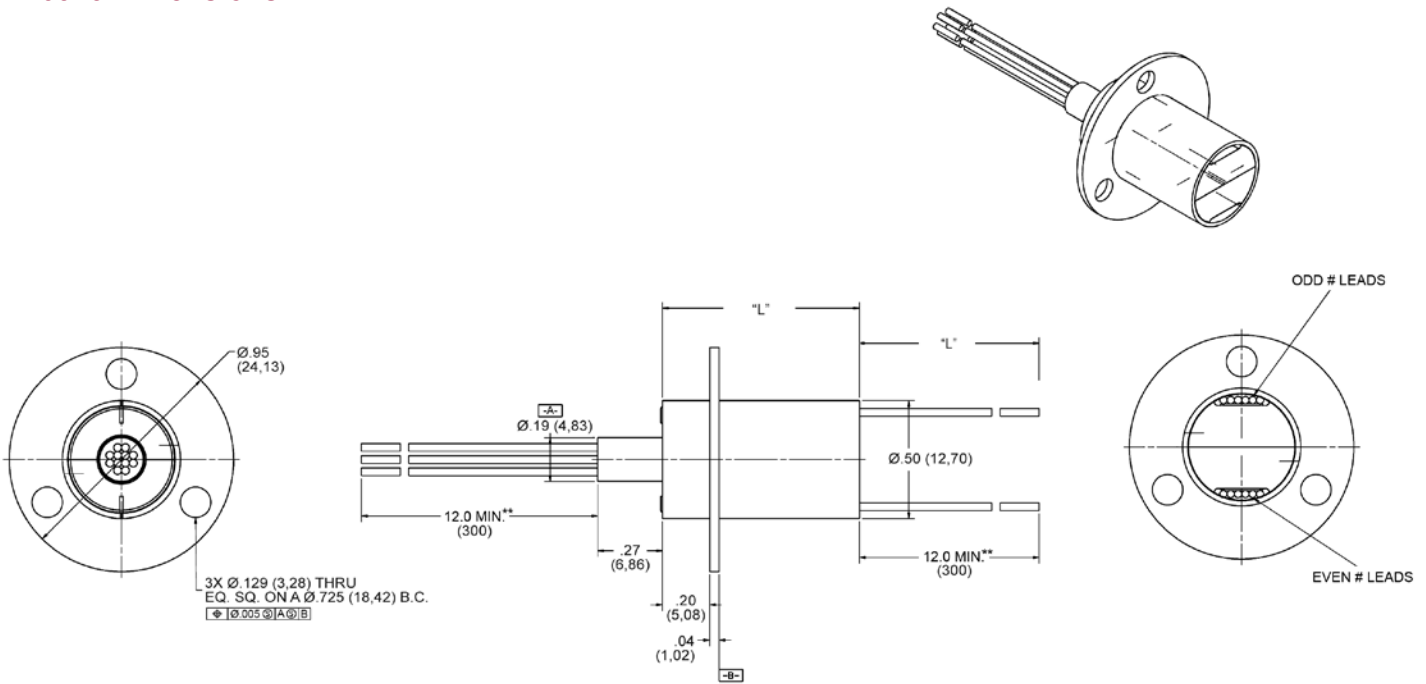
Teflon® is a registered trademark of E.I. du Pont de Nemours and Co.

Also available without flange, P/N AC6456

AC6373 Lead Wire Color Codes			
Ring #	Color Code	Ring #	Color Code
#1	BLK	#7	BLU
#2	BRN	#8	VIO
#3	RED	#9	GRY
#4	ORN	#10	WHT
#5	YEL	#11	WHT-BLK
#6	GRN	#12	WHT-BRN

Part Number	Length "L"
AC6373 - 6	.58 inch (14,7 mm)
AC6373 - 12	.83 inch (21,1 mm)

## AC6373 Dimensions



Dimensions in inches (millimeters)

Part Number	"L"
AC6373	12 in (304.8 mm)
AC6373-A	24 in (609.6 mm)
AC6373-B	36 in (914.4 mm)
AC6373-C	48 in (1219.2 mm)