

AC7188

High Definition (HD) video slip ring capsule

Description

A slip ring can be used in any electromechanical system that requires unrestrained, continuous rotation while transferring video, power and data from a stationary to a rotating structure.

The AC7188, a derivative of our very popular AC6023 series, provides HD-SDI video communication in combination with 2 amp and 5 amp power or data connections. RG179 coax cable is provided for video transfer. The coax cable is supplied terminated with a BNC connector, ready to install.

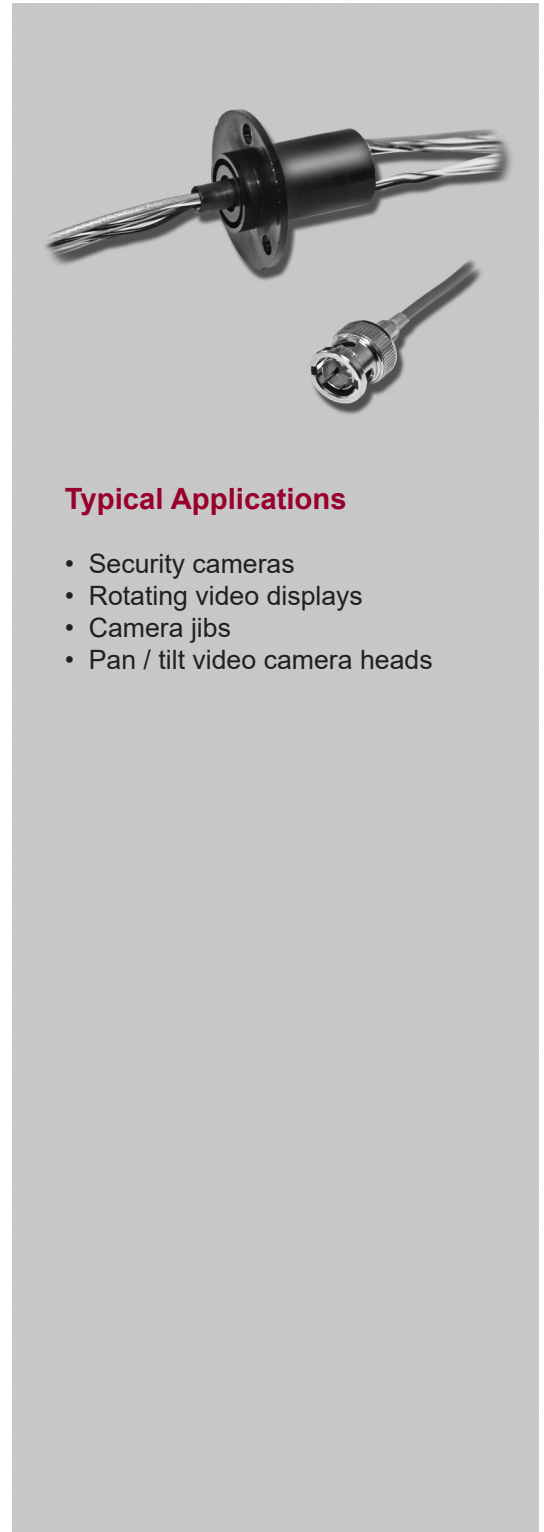
The AC7188 utilizes gold-on-gold contact technology with very low electrical noise for un-paralleled performance and provides functional life that exceeds any competitive slip ring.

Features

- Compatible with:
 - SMPTE 259 M (SD-SDI)
 - SMPTE 292 M (HD-SDI)
- Speeds up to 250 RPM
- 12, 24, 36 and 48 inch lead lengths
- Available with various combinations of coax, 2 amp and 5 amp connections
- Sealing to dust and light fluid splash available

Benefits

- Compact
- Plug-and-play coax connection



Typical Applications

- Security cameras
- Rotating video displays
- Camera jibs
- Pan / tilt video camera heads

AC7188 Specifications		Options
Operating Speed	250 rpm*	<ul style="list-style-type: none"> • Seals for dust and light fluid splash • Lead lengths of 12, 24, 36 and 48 inches • Flange / no flange • Metal housing
Video Connections	HD-SDI	
Circuit Options	Video, 2 amp and 5 amp	
Voltage	210 VDC / 240 VAC on standard circuits	
Temperature Range	-40°C to +80°C	
Contact Material	Gold	
Current Rating	2 amp (28 AWG) and 5 amp (20 AWG)	

*Please note that the operational life of the unit is dependent upon rotational speed, environment and temperature.

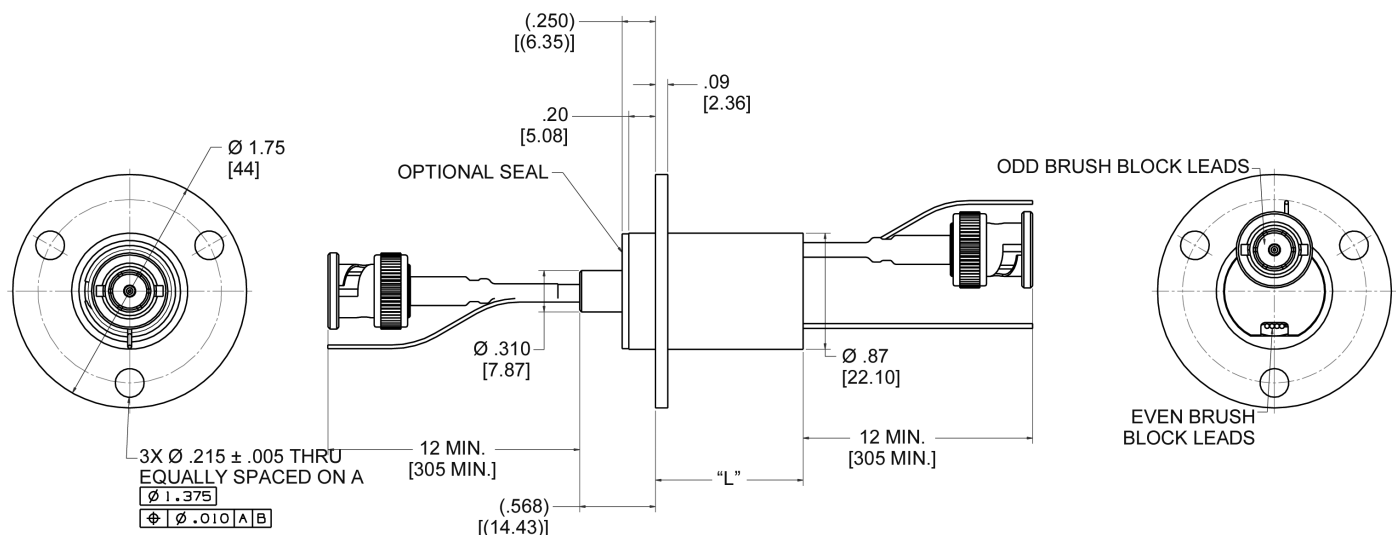
Circuit Table			
Part #	Continuous Current (amps)		HD-SDI
	2	5	RG179
AC7188-18	8		1
AC7188-18V	2	2	1
AC7188-24	14		1
AC7188-24V	8	2	1

Part Number	Length "L"
AC7188-18 / 18V	1.105 inch (28.1 mm)
AC7188-24 / 24V	1.375 inch (34.9 mm)

Part Number	Lead Length
AC7188	12 in (304.8 mm)
AC7188-A	24 in (609.6 mm)
AC7188-B	36 in (914.4 mm)
AC7188-C	48 in (1219.2 mm)

Lead Wire								
AC7188-18		AC7188-18V		AC7188-24		AC7188-24V		
Ring #	Color / AWG	Ring #	Color / AWG	Ring #	Color / AWG	Ring #	Color / AWG	
1	BLK / 28	1	BLK / 20 AWG	1	BLK / 28	1	BLK / 20	
2	BRN / 28	2	ORN / 28 AWG	2	BRN / 28	2	BLK / 20	
3	RED / 28 AWG	3	COAX	3	RED / 28	3	BLU / 28	
4	ORN / 28 AWG	4	YEL / 28 AWG	4	ORN / 28	4	VIO / 28	
5	COAX	5	BLK / 20 AWG	5	YEL / 28	5	COAX	
6	YEL / 28 AWG			6	GRN / 28	6	GRY / 28	
7	GRN / 28 AWG			7	BLU / 28	7	WHT / 28	
8	BLU / 28 AWG			8	VIO / 28	8	WHT / BLK / 28	
9	VIO / 28 AWG			9	COAX	9	WHT / BRN / 28	
				10	GRY / 28	10	WHT / RED / 28	
				11	WHT / 28	11	WHT / ORN / 28	
				12	WHT / BLK / 28			
				13	WHT / BRN / 28			
				14	WHT / RED / 28			
				15	WHT / ORN / 28			

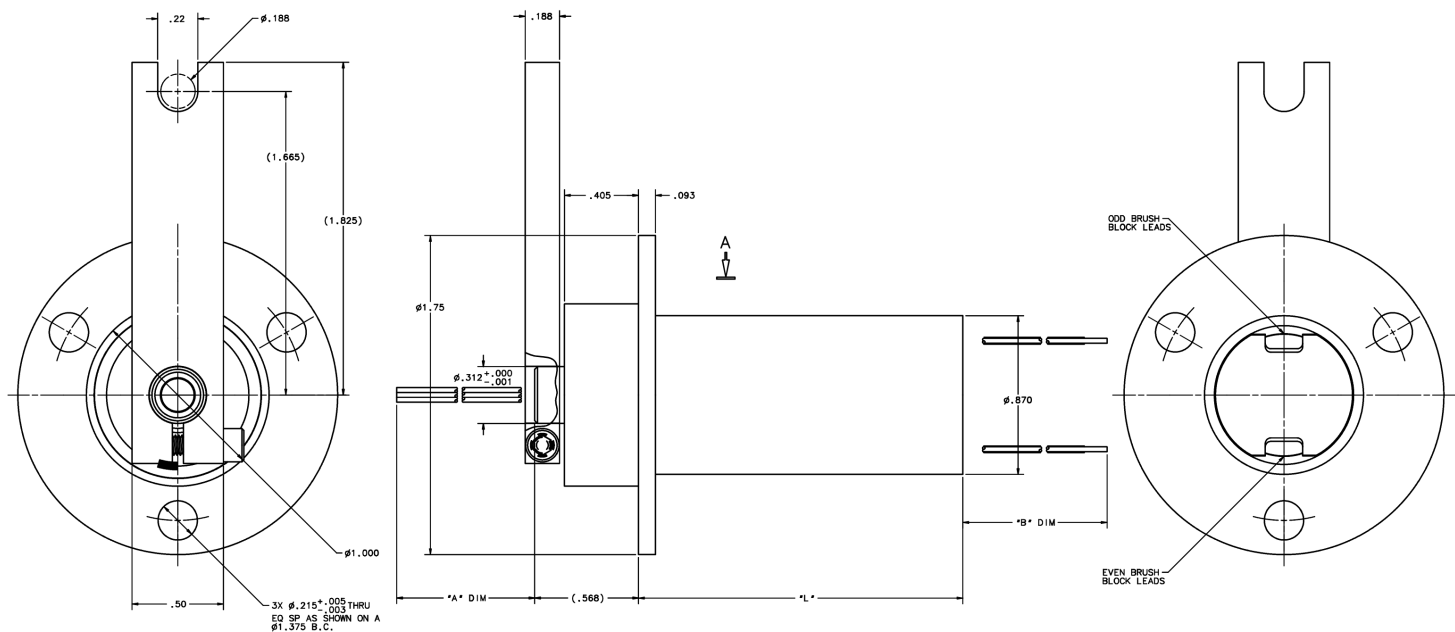
AC7188 Dimensions



Dimensions in inches [mm]

AC7551 Specifications (IP 65 Sealed Versions of AC6023, AC6305/AC6310, AC7188, & AC7203)		Options
Operating Speed	250 rpm	<ul style="list-style-type: none"> • No Flange • 12, 24, 36, or 48 Inch Leads • See data sheets for standard circuit options <ul style="list-style-type: none"> - AC6023 - AC6305/AC6310 - AC7188 - AC7203 • Custom wiring configurations can be quoted
Current Rating	2A, 5A, 10A	
Voltage	240 VAC / VDC	
Contact Material	Gold-on-gold	
Temperature Range	-40°C to +80°C	
Electrical Noise	60 milliohms max.	
Video Connections	HD-SDI	
Ethernet Connections	10/100BaseT and 1000BaseT	

AC7551 Dimensions



Dimensions in inches

Part Number	Capsule Length (L)
AC7551-6	.965 in
AC7551-12	1.235 in
AC7551-18	1.505 in
AC7551-24	1.775 in

Dash Number	Dim "A"	Dim "B"
AC7551-*	12.0 in minimum	11.5 in minimum
AC7551-*A	24.0 in minimum	23.5 in minimum
AC7551-*B	36.0 in minimum	35.5 in minimum
AC7551-*C	48.0 in minimum	47.5 in minimum