

6.62" Diameter Electrical Slip Ring

Model 159

Focal Technologies Corporation, a Moog Inc. company, has over 30 years of expertise in supplying standard and custom marine products for harsh environments and is a leading manufacturer of high performance and high quality swivels. Contact Focal for assistance in selecting the best solution for your requirements.



The Model 159 is the solution for higher current applications. Designed to accommodate up to 1000 amps total current, the Model 159 can be customized to fit specific requirements. Incorporating both power and signal transfer into a single unit provides the needed versatility for marine, industrial, and defense applications.

Features

- Stainless steel housing for rugged environments
- Slip ring design provides sealing to IP66 requirements
- Can accommodate a variety of wire and cable types
- Power and signal transfer integrated into a single unit

Benefits

- Each unit is designed, manufactured, and tested in accordance with the highest quality standards
- Maintenance free operation
- Proven, reliable, long life performance
- Integration with fiber optic rotary joints and fluid rotary unions to provide a complete rotating interface solution

Applications

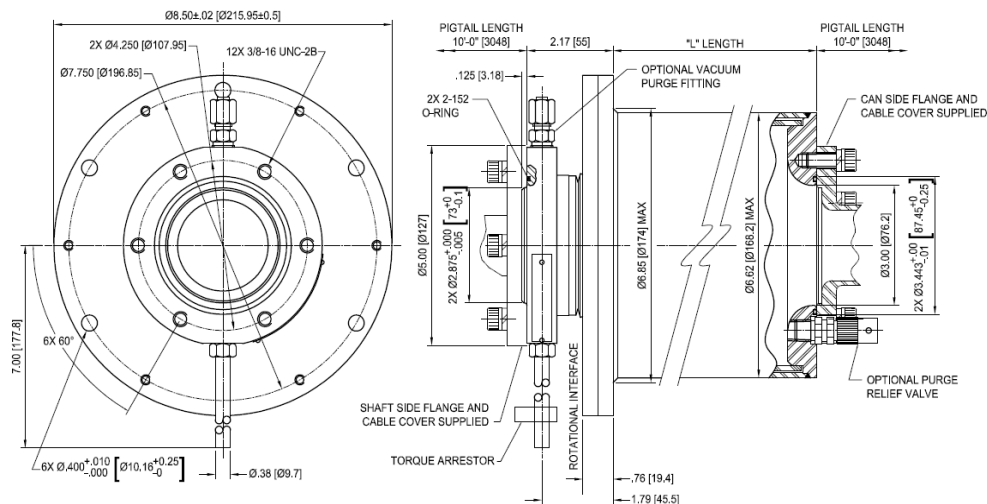
- Winches
- Remotely Operated Vehicles (ROV)
- FPSO swivel stacks

Specifications

Electrical Power Performance	
Voltage	Maximum 7200 VAC
Current	Maximum 60 A per pass, wire in parallel for higher current Maximum 1000 A total current * *Maximum total current is dependent on duty cycle, ambient temperature and specific configuration. Consult factory to ensure configuration is suitable for application.
Contact Resistance	20 mΩ nominal
Insulation Resistance	Minimum 500 MΩ @ 1 kVDC, dependent on wire type
Short Circuit Rating	2.2 kA / 1s, 5.6 kA peak
Electrical Signal Performance	
Contact Resistance	20 mΩ nominal
Insulation Resistance	Minimum 500 MΩ @ 1 kVDC
Signal Type	Analog Video, CanBus, Profibus, Device Net, 10 Base-T Ethernet, SHDSL, RS-485
Mechanical	
Rotation Speed	Maximum 50 rpm continuous, contact factory for high speeds
Protection Class	Sealed to IP66, except for pigtail exits
Operating Temperature	-20 °C to + 55 °C
Housing	Stainless steel (304)
Length "L"	Varies with number of electrical passes

Hazardous Area Option: Model 159-X/295-X	
Certification	US: Class I, Zone 1, AEx d IIB T5 Class I, Zone 1, AEx d IIB T4 ETL ATM 4007859 ATEX: CE 0334 II 2 G Ex d IIB T5 Gb CE 0334 II 2 G Ex d IIB T4 Gb ITS 15ATEX 18 235 X
Terminations	
Standard	Loose wire pigtails, 10 ft [3.0m]
Flange and Cable Covers	Various entry types available.
Cabled Pigtails	Tinned copper braid and heat shrink installed over loose wire pigtails
Special	Supply and installation of connectors, terminals, conduit, cable glands, junction boxes
Options	
Fiber Optics	Fiber Optic Rotary Joint (FORJ) or Optical Converter
Fluid	Fluid Rotary Union (FRU)
Design Certification	ABS, DNV GL, BV, LRS
Submersed Applications	Fluid fill fittings or fluid filled/pressure compensated at factory
Other Devices	RF Rotary Joint, Shaft Encoder, Sensors, Heater or Heat Trace Cable, Integration of customer supplied product possible
Ingress Protection	IP66, IP68
Extended Temperature Range Available	

Please contact factory with your application details



All specifications and information are subject to change without notice. Please contact Focal for the latest updates.

Dimensions in inches [millimeters].