

Ethernet and High Definition Slip Ring Capsules

SRA-73798 / SRA-73805

Ethernet slip ring capsule

Description

A slip ring can be used in any electromechanical system that requires unrestrained, continuous rotation while transferring power and data from a stationary to a rotating structure.

The SRA-73798 and SRA-73805 provide 100BaseT or 1000BaseT Ethernet communication in combination with 2 amp, signal / power connections. The Ethernet cable is supplied terminated with a RJ45 jack, ready to connect.

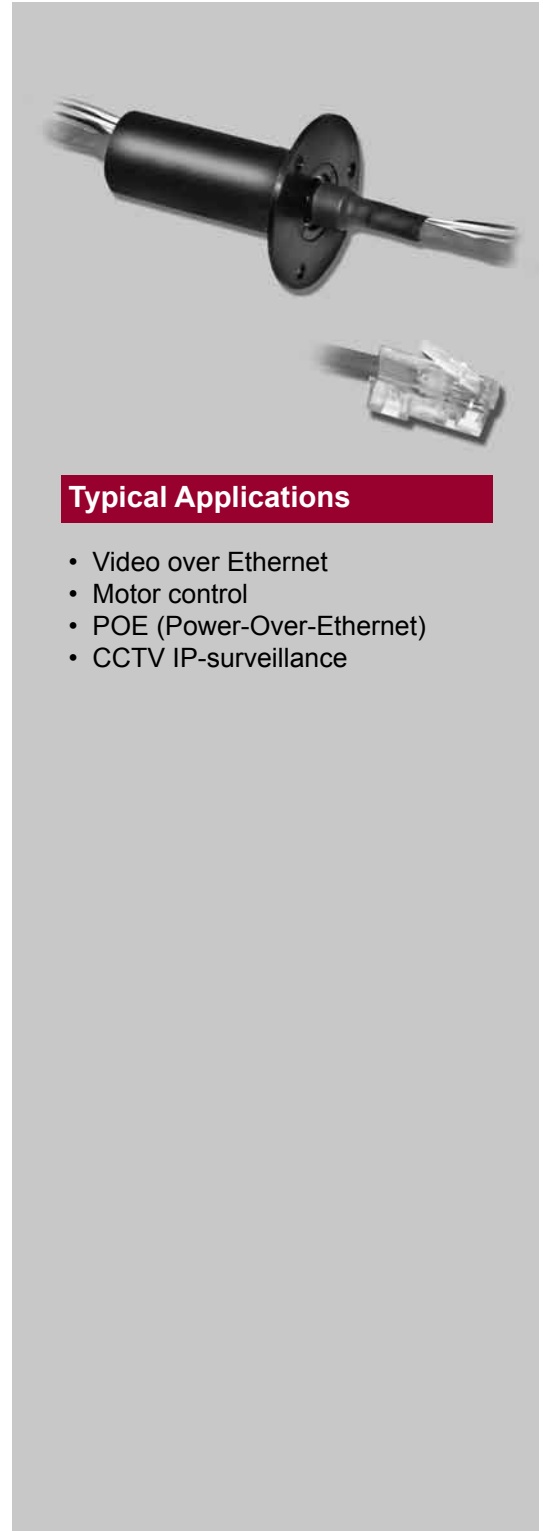
The SRA-73798 and SRA-73805 utilize gold-on-gold contact technology with very low electrical noise for unparalleled performance and provides functional life that exceeds any competitive slip ring.

Features

- Fully compliant with IEEE 802.3 formats
 - 10BaseT
 - 100BaseTx
 - 100BaseT2
 - 1000BaseT
- Speeds up to 250 RPM continuous
- 12, 24, 36 and 48 inch lead lengths
- Supplied with 100BaseT or 1000BaseT Ethernet and 2 amp circuits

Benefits

- Compact
- Plug-and-play Ethernet connection



Typical Applications

- Video over Ethernet
- Motor control
- POE (Power-Over-Ethernet)
- CCTV IP-surveillance

Ethernet and High Definition Slip Ring Capsules

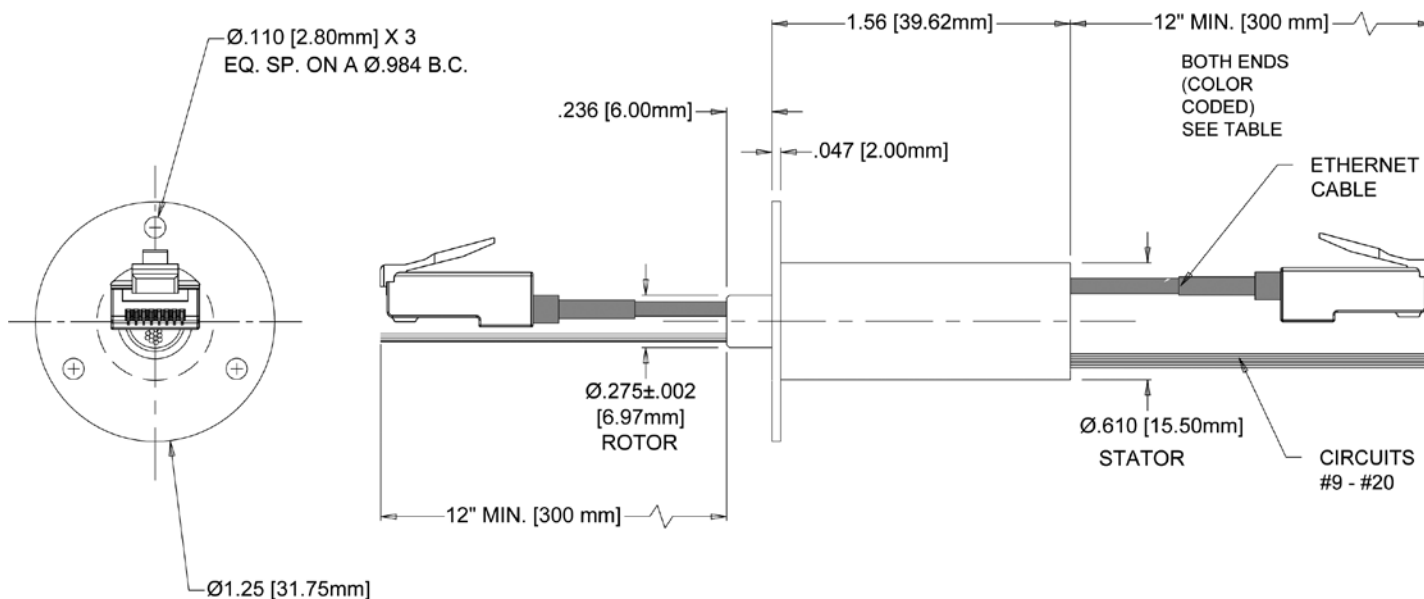
SRA-73798 / SRA-73805 Specifications		Options
Operating Speed	250 rpm* continuous	• Standard 12 inch lead lengths, optional 24, 36 and 48 inch available
Ethernet Connections	10 / 100BaseT and 1000BaseT	
Circuit Options	Ethernet plus, 2 amp contacts	
Voltage	210 VAC on power circuits	
Temperature Range	-40°C to +80°C	
Contact Material	Gold-on-gold	
Current Rating	2 amps	

*Please note that the operational life of the unit is dependent upon rotational speed, environment and temperature.

SRA-73798 Lead Wire Color			
Ring #	Color Code	Ring #	Color Code
1	1000BaseT Ethernet Cable	11	RED
2		12	ORN
3		13	YEL
4		14	GRN
5		15	BLU
6		16	VIO
7		17	GRY
8		18	WHT
9	BLK	19	WHT-BLK
10	BRN	20	WHT-BRN

SRA-73805 Lead Wire Color			
Ring #	Color Code	Ring #	Color Code
1	100BaseT Ethernet Cable	11	BLU
2		12	VIO
3		13	GRY
4		14	WHT
5	BLK	15	WHT-BLK
6	BRN	16	WHT-BRN
7	RED		
8	ORN		
9	YEL		
10	GRN		

SRA-73798 / SRA-73805 Dimensions



Dimensions in inches (mm)