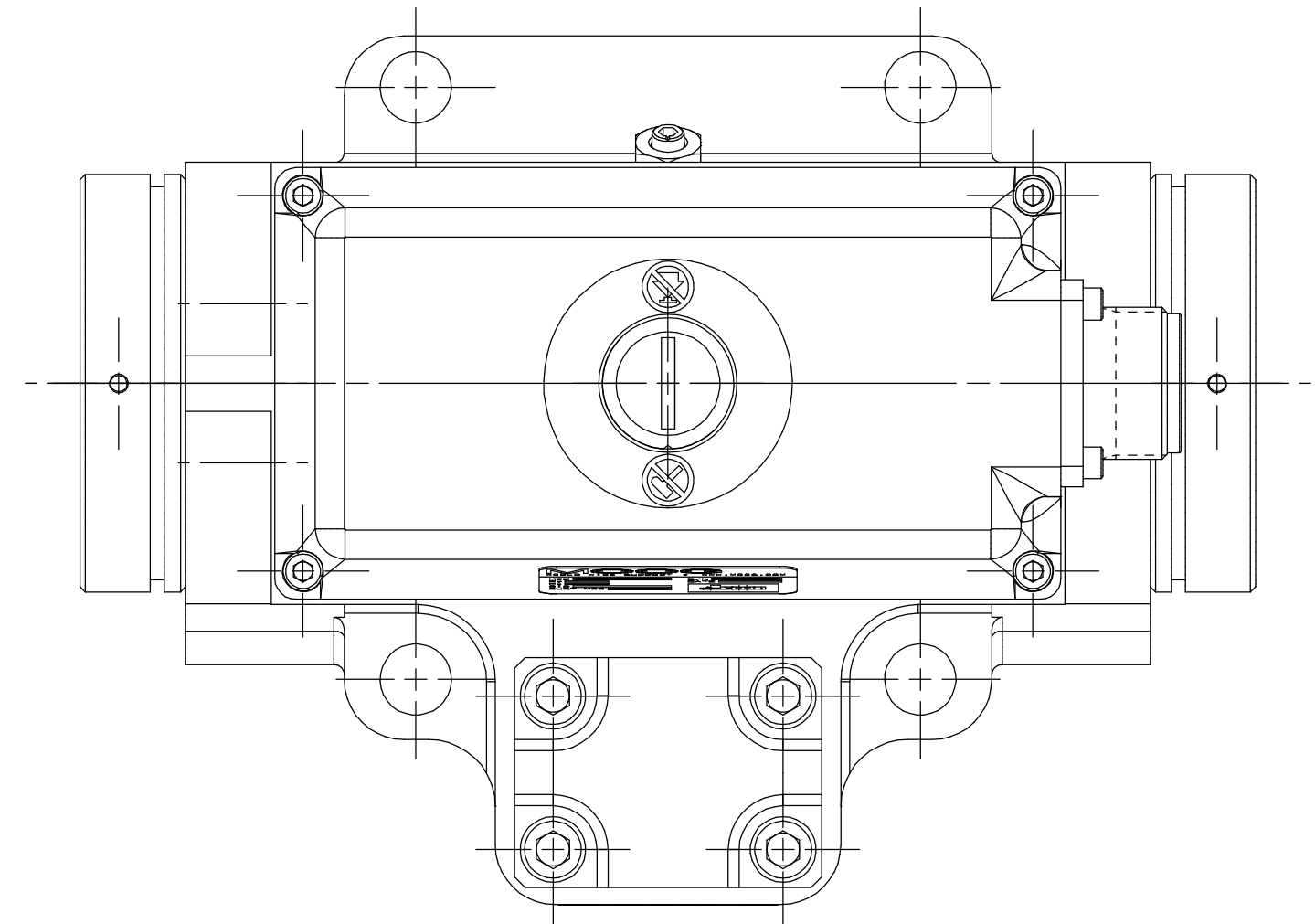
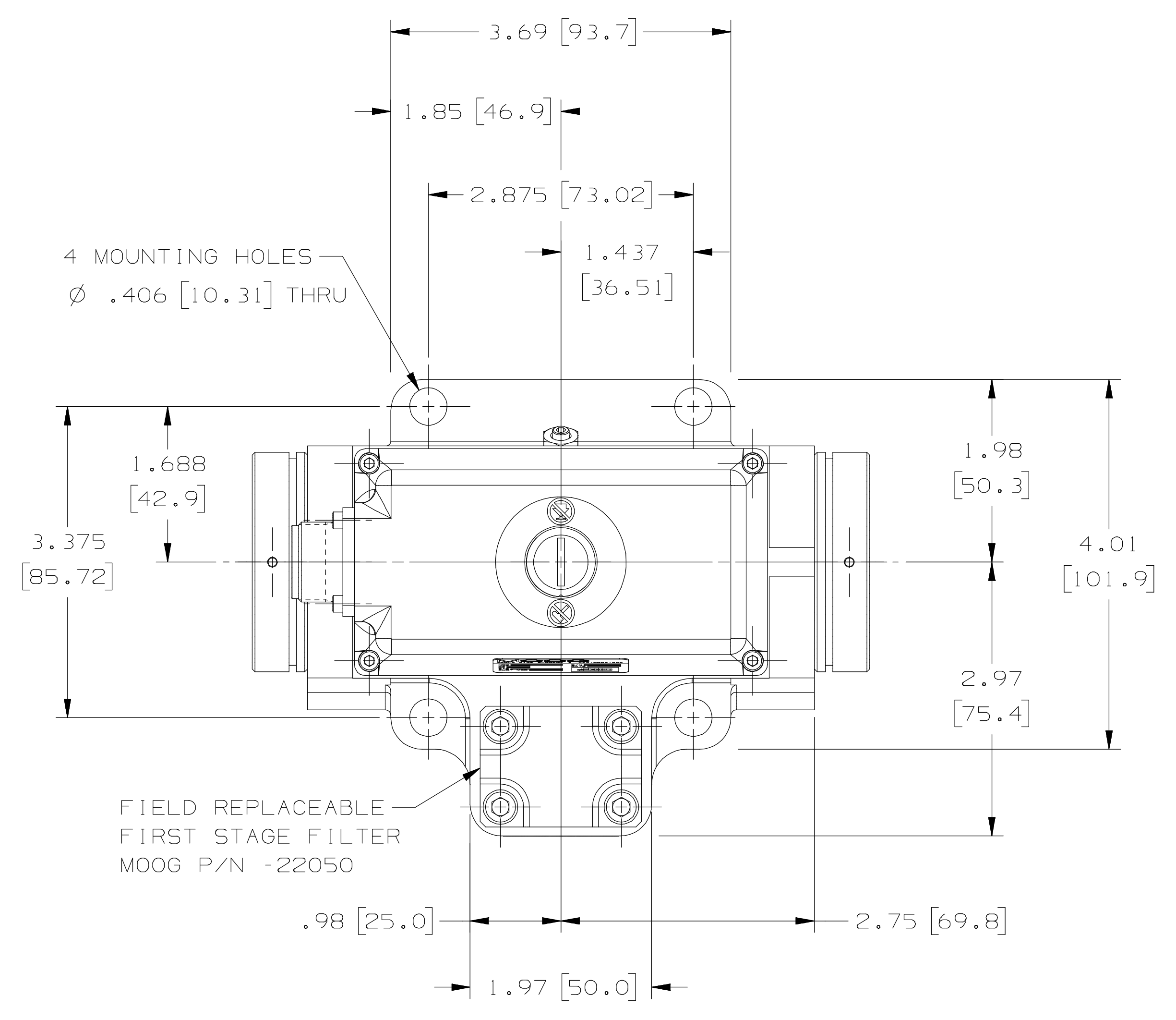


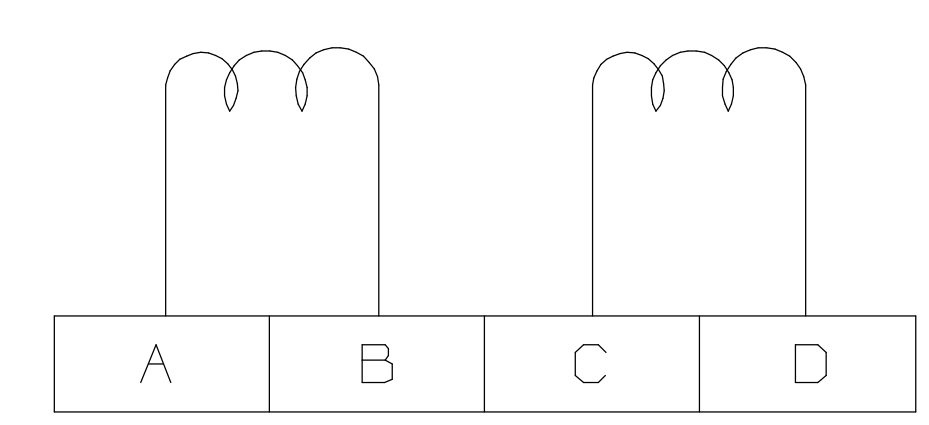
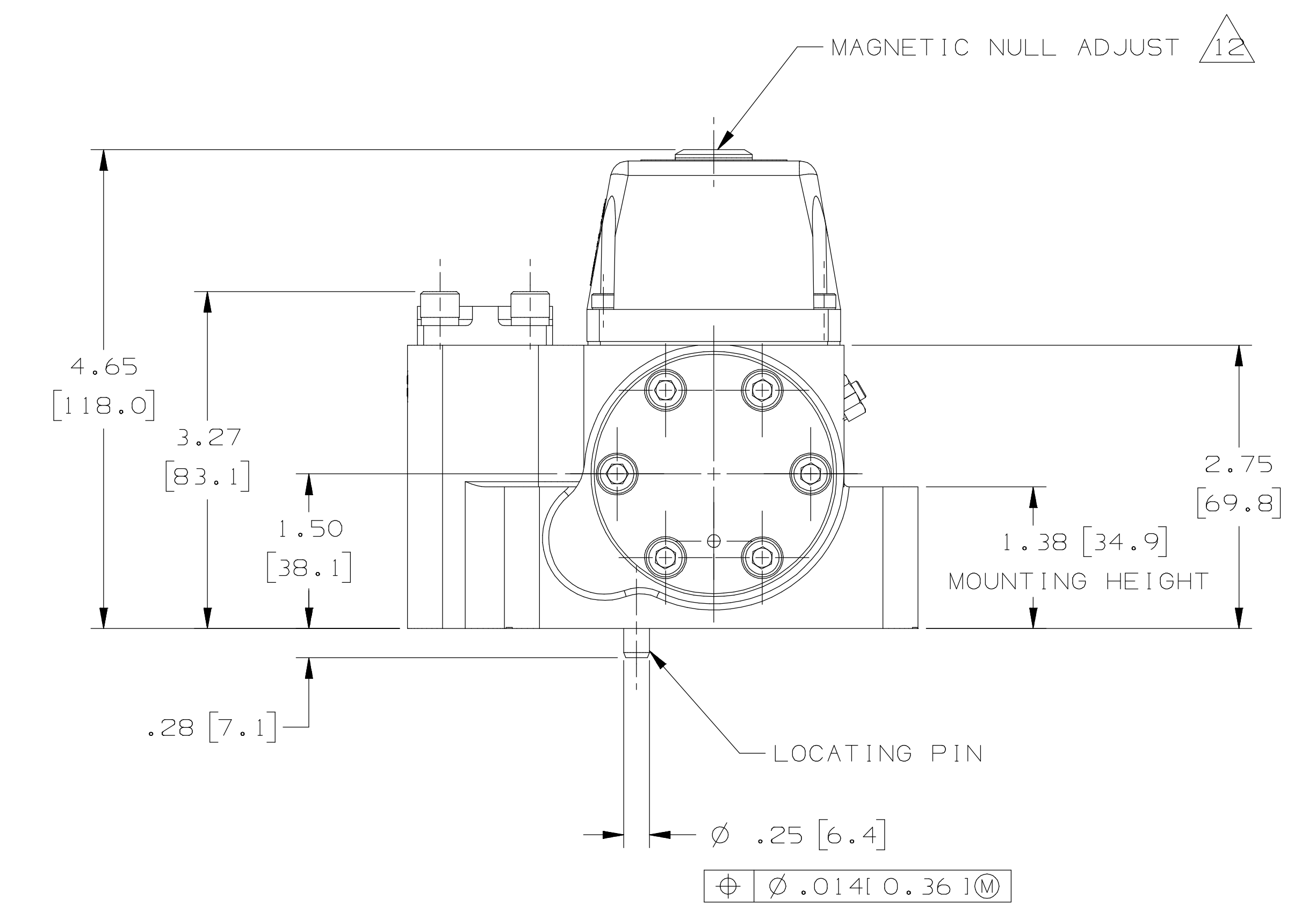
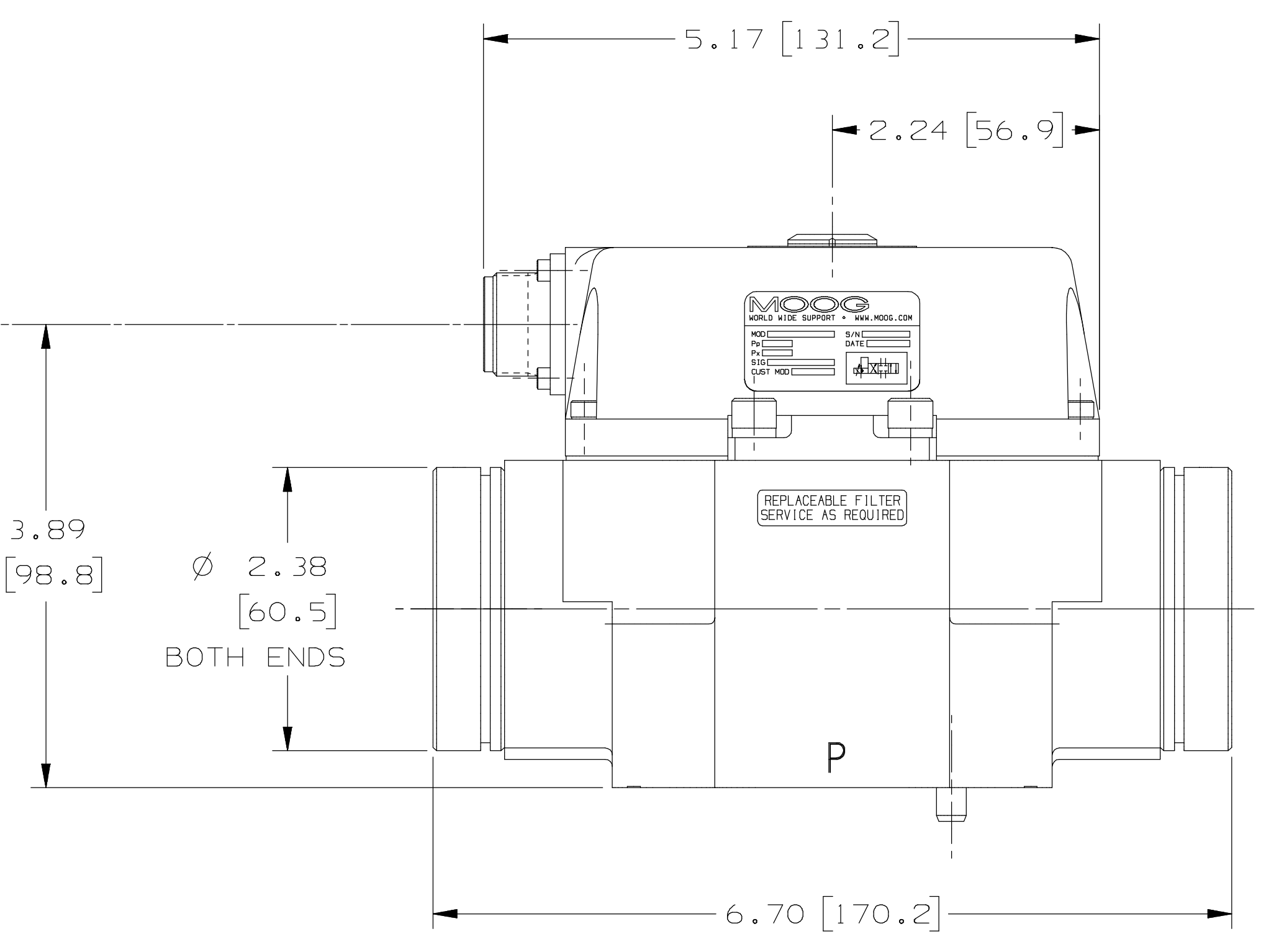
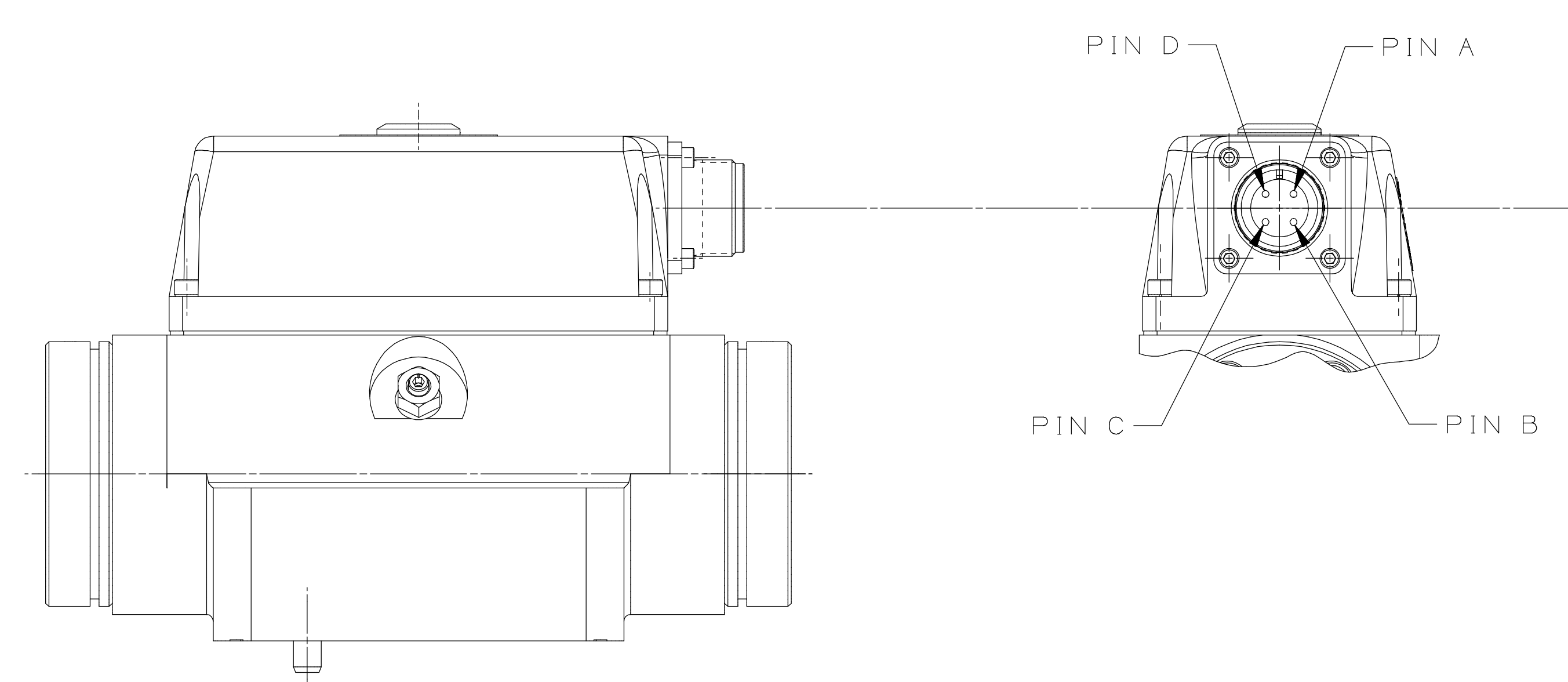
THIS TECHNICAL DATA/DRAWING/DOCUMENT CONTAINS MOOG PROPRIETARY AND CONFIDENTIAL INFORMATION. SUBSIDIARIES EXCEPT AS EXPRESSLY GRANTED BY CONTRACT OR BY OPERATION OF LAW AND IS RESTRICTED TO USE BY ONE MOOG EMPLOYEE AND OTHER PERSONS AUTHORIZED IN WRITING BY MOOG OR AS EXPRESSLY GRANTED BY CONTRACT OR BY OPERATION OF LAW. NO PORTION OF THIS DATA/DRAWING/DOCUMENT SHALL BE REPRODUCED OR DISCLOSED OR COPIED OR PUBLISHED IN WHOLE OR IN PART TO OTHERS OR USED BY OTHERS FOR ANY PURPOSE WHATSOEVER EXCEPT AS SPECIFICALLY AUTHORIZED IN WRITING BY MOOG INC. OR MOOG INC. SUBSIDIARY.

REVISIONS		DATE	APPROVED
ZONE	REV	DESCRIPTION	
	-	UE1024205: RELEASED	20080928/LAW/DRK
	A	SEE EO UE1028797; REDRAWN IN NX.	20090729/KJY/MEL

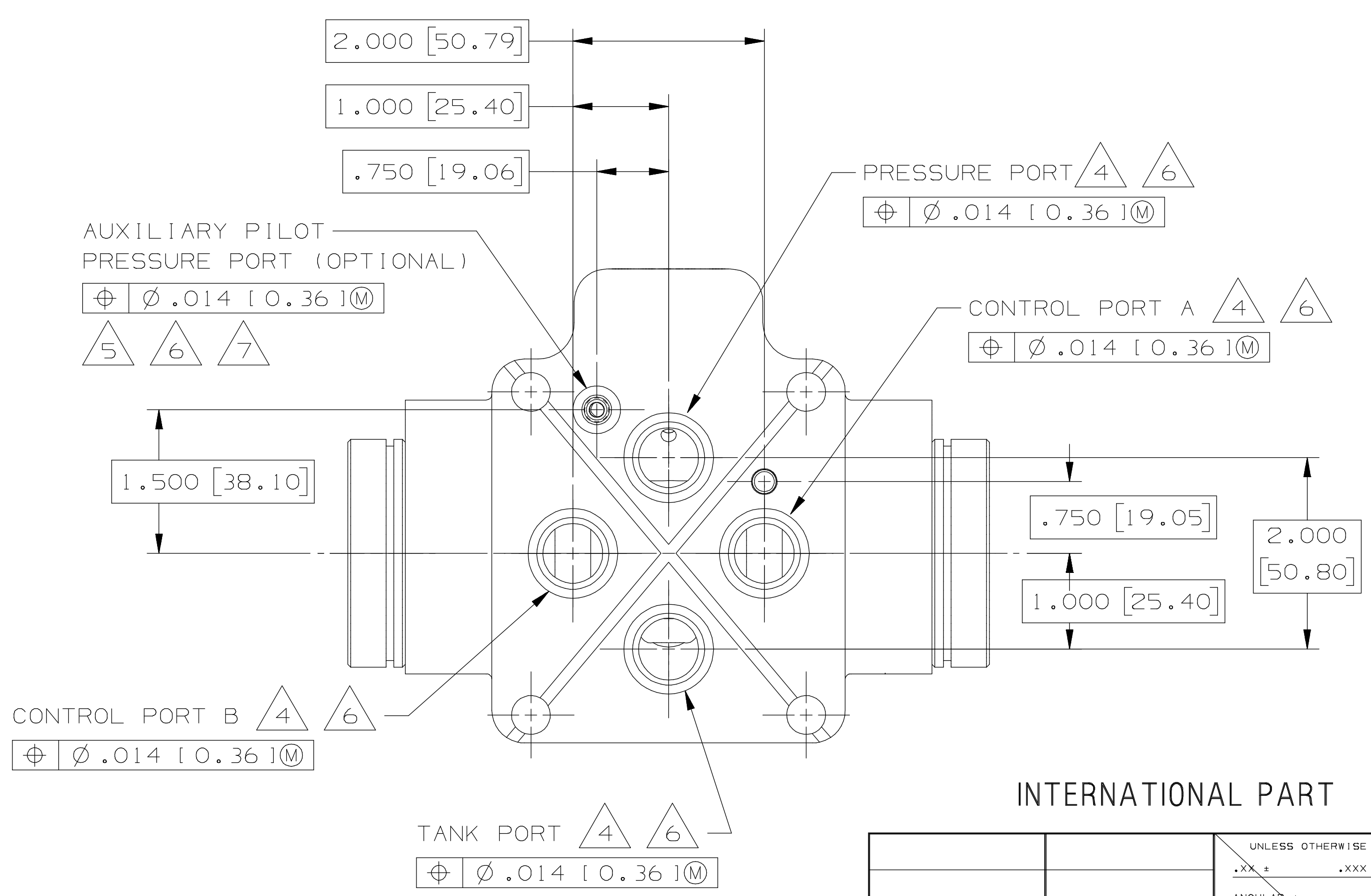
- NOTES:
- 1 VALVE PHASING: FLOW OUT CONTROL PORT B WHEN:
SINGLE COIL: A+, B-; OR C+, D-
SERIES COILS: B & C TIED: A+, D-
PARALLEL COILS: A & C TIED, B & D TIED: A & C+, B & D-
 2. FLUID: PETROLEUM BASE HYDRAULIC FLUID, 60 TO 450 SUS @ 100°F [10 TO 97 CENTISTOKES @ 38°C] BUNA OR VITON SEALS. FLUID CLEANLINESS LEVEL PER ISO 4406 (SAE J 1165) CODE 16/13 MAXIMUM.
 3. OPERATING TEMPERATURE RANGE: 50°C MAX (FLUID TEMP RANGE: -29°C TO +135°C).
 - 4 P, T, A & B: .625 [15.88] DIA CBORED NOMINALLY .750 [19.05] ID X .937 [23.80] OD X .055 [1.40] DEEP.
 - 5 AUXILIARY PILOT PRESSURE PORT: .250-28 UNF-2B THD, CBORE .498 [12.65] DIA X .055 [1.40] DEEP.
 - 6 P, T, A & B ORINGS: .070 [1.78] SECTION X .801 [20.35] ID. (UNIVERSAL SIZE -019) AUXILIARY PORT O-RING: .070 [1.78] SECTION X .364 [9.25] ID. (UNIVERSAL SIZE -012)
 - 7 VALVES ARE SUPPLIED WITH PROVISIONS FOR EITHER INTERNAL OR EXTERNAL PORTING OF FIRST STAGE PILOT PRESSURE PORT.
 8. SURFACE TO WHICH VALVE IS MOUNTED REQUIRES $\sqrt{1.6163}$ FINISH, $\square .0015 [0.038]$.
 9. ELECTRICAL CONNECTOR MATES WITH MOOG P/N -49054F01450025 (MS3106F14S-2S) OR EQUIVALENT.
 10. DIMENSIONS WITHOUT TOLERANCE ARE FOR REFERENCE ONLY. DIMENSIONS IN BRACKETS () ARE IN MILLIMETERS.
 11. SUGGESTED MOUNTING SCREWS: 3/8-16 UNC X 2.00 LONG. (M10 X 50) SOC HD CAP SCREW.
 - 12 ROTATION OF NULL ADJUST CAUSES VARIATION OF FLOW FROM A GIVEN CONTROL PORT AT A GIVEN INPUT CURRENT.



OPTIONAL CONNECTOR ORIENTATION OVER CONTROL PORT A



1 SERVOVALVE ELECTRICAL SCHEMATIC



INTERNATIONAL PART

UNLESS OTHERWISE SPECIFIED	PER MIL-S-13520
ANGULAR	RAD
FILLET	RAD OR CHAM
EDGES	RAD OR CHAM
SURFACE ROUGHNESS	PER ANSI Y14.20 & B46.1
CONCENTRIC DIAMETERS	$\sqrt{1.000}$
DRILL POINTS	115° TAP
ALL DIMENSIONS ARE IN INCHES	PART TO BE FREE OF BURRS

CA7966B	INSTALLATION, -072 SERIES
QTY REGD	PART OR IDENTIFYING NO.
NOMENCLATURE OR DESCRIPTION	
BALLON NO.	
PARTS LIST	
CONTRACT NO.	MOOG INC.
PREPARED L. WENDEL 20080923	MOOG INC., EAST AURORA, NY 14052
CHECKED DKHL 20080929	TITLE
WDR ENGR	INSTALLATION, -072 SERIES, MAGNETIC NULL ADJUST
DES ENGR	SIZE
PRD ENGR	CAGE CODE
APL ENGR	DWG NO.
MFG	E94697 CA7966B
QUAL	SCALE 1/2
	WT
	SHEET

CA7966B

1

A