

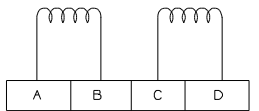
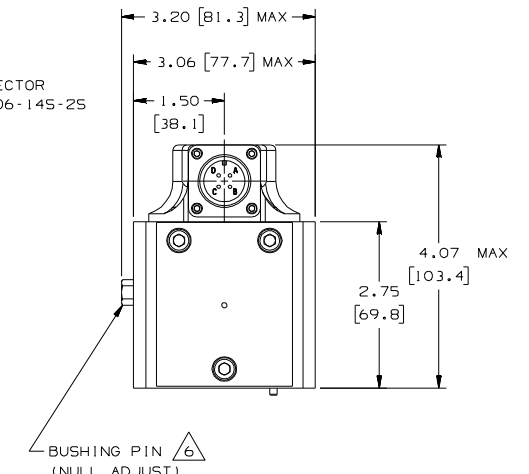
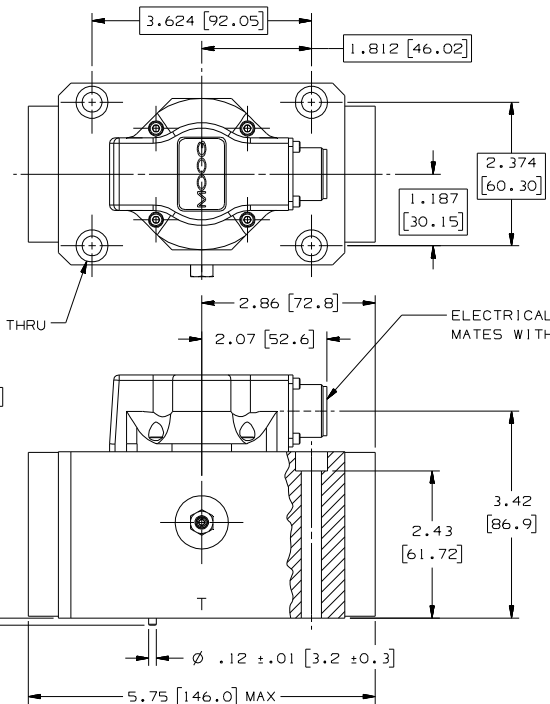
THIS TECHNICAL DATA/DRAWING DOCUMENT CONTAINING PROPRIETARY AND CONFIDENTIAL INFORMATION IS THE EXPRESS PROPERTY OF MOOG INC. OR MOOG INC. SUBSIDIARIES EXCEPT AS EXPRESSLY GRANTED BY CONTRACT OR BY OPERATION OF LAW AND IS RESTRICTED TO USE BY ONLY MOOG EMPLOYEES AND OTHER PERSONS AUTHORIZED IN WRITING BY MOOG OR ITS EXPRESSLY GRANTED BY CONTRACT OR BY OPERATION OF LAW. NO PORTION OF THIS DATA/DRAWING/DOCUMENT SHALL BE REPRODUCED OR DISCLOSED OR COPIED OR FURNISHED IN WHOLE OR IN PART TO OTHERS OR USED BY OTHERS FOR ANY PURPOSE WHATSOEVER EXCEPT AS SPECIFICALLY AUTHORIZED IN WRITING BY MOOG INC. OR MOOG INC. SUBSIDIARY.

DES. NO.	A45349	REV.	REVISIONS	
ZONE	REV	DESCRIPTION	DATE	APPROVED
A	SEE	EO UE1033643	20100816	KJY/DRK

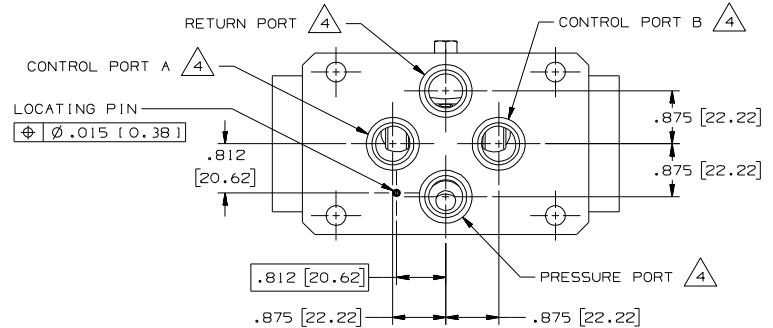
NOTES:

1. FLUID: INDUSTRIAL TYPE PETROLEUM BASE HYDRAULIC FLUID.
RECOMMENDED CLEANLINESS:
FOR NORMAL LIFE - ISO 4406 < 16/14/11
FOR LONGER LIFE - ISO 4406 < 15/13/10.
2. OPERATING TEMPERATURE RANGE: -20°F TO +275°F (-29°C TO +135°C).
3. VALVE PHASING: FLOW OUT PORT B WHEN A & C(+), B & D(-).
4. PORTS: ϕ .562 [14.23] \sqsupset .695 [17.65] ID X .875 [22.23] OD
FOR UNIVERSAL SIZE -O18 O-RING .070 [1.78] SECT X .739 [18.77] ID
WITH COMPATIBLE COMPOUND.
5. SURFACE TO WHICH VALVE MOUNTS REQUIRES ∇ ,
FLAT WITHIN .001 [0.025] TIR.
6. CLOCKWISE ROTATION OF NULL PIN PRODUCES FLOW OUT PORT B.
(USE 3/32 HEX KEY)
7. TORQUE MOUNTING BOLTS 9-11 FT.LB.
8. DIMENSIONS IN BRACKETS () ARE IN MILLIMETERS.

4X ϕ .328 [8.33] THRU
 \sqsupset ϕ .532 [13.51]
TO DEPTH SHOWN
 \oplus ϕ .010 [0.25]



ELECTRICAL SCHEMATIC 3



INTERNATIONAL PART

LAST SECTION/DATUM		UNLESS OTHERWISE SPECIFIED	INTERPRET DRAWING PER MIL-STD-100 DIMENSIONING AND TOLERANCING PER ASME Y14.5M-1994
THIRD ANGLE PROJECTION		ANGULAR ± .XXX °	CONTRACT NO.
NEXT ASSEMBLY	USED ON	FILLETS RAD	PREPARED PRESTON 2-4-BI
		EDGES RAD OR CHAM	CHECKED AMV 2-10-BI
		SURFACE ROUGHNESS PER ANSI 11.13 & 8.62	ENGR WJW 2-27-BI
		CONCENTRIC DIMETERS \pm .008	WFS TS 3-20-BI
		ALL DIMENSIONS ARE IN INCHES PART TO BE FREE OF BURRS	QUAL TJS 3-23-BI
			APPROVAL DGH
			APPROVAL RFW
			APPROVAL JCS

78 SERIES		INSTALLATION, -078 SERIES		BALLOON NO.
QTY REQD	PART OR IDENTIFYING NO.	NOMENCLATURE OR DESCRIPTION		
PARTS LIST				
MOOG INC. EAST AURORA, NY 14052				
TITLE: INSTALLATION, 78 SERIES				
SIZE	CAGE CODE	DES. NO.		
D	94697	A45349		
SCALE	1/1	WT	SHEET	