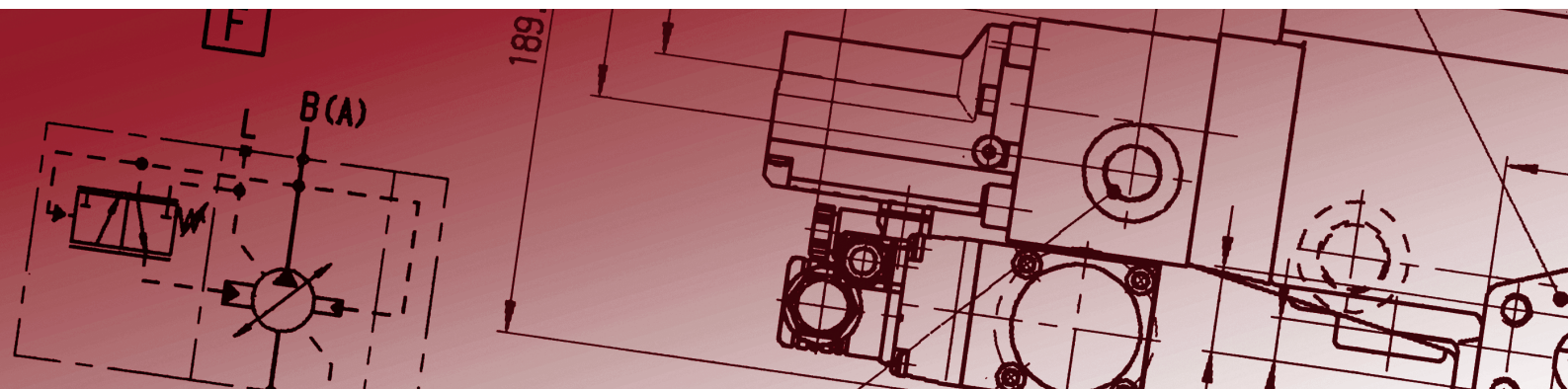
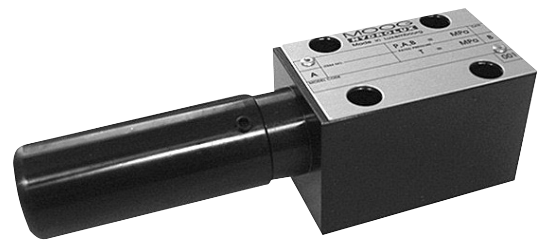


Pressure relief valve DBDP06, directly operated, subplate mounting, ISO 4401 Size 03

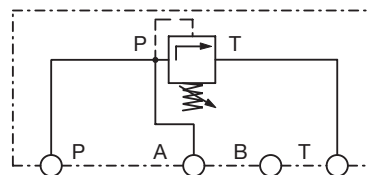


DESCRIPTION

Pressure relief valve of series DBDP06 are subplate mounting valves.

They are used both as safety valves avoid unacceptable high pressure as well as for adjusting the required pressure in a hydraulic system.

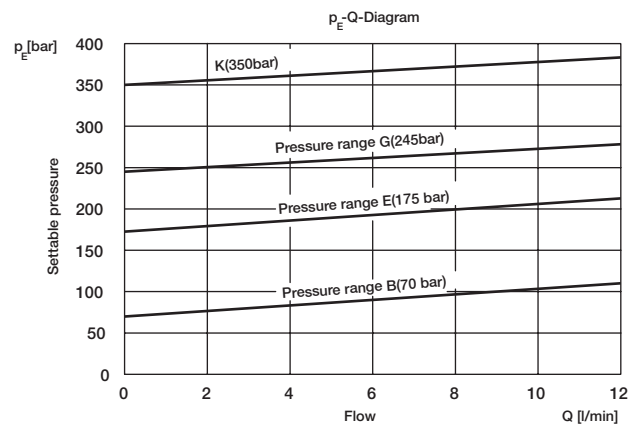
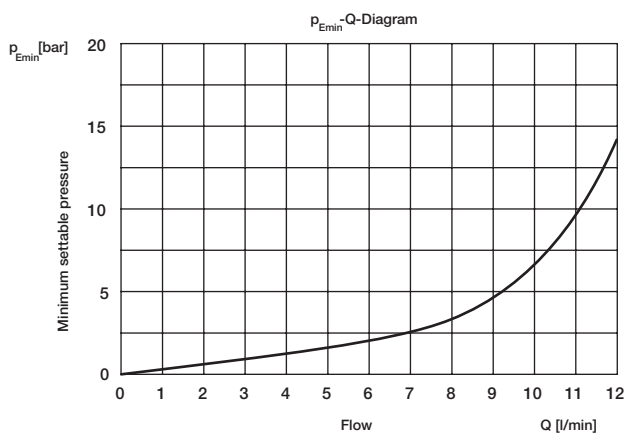
SYMBOL



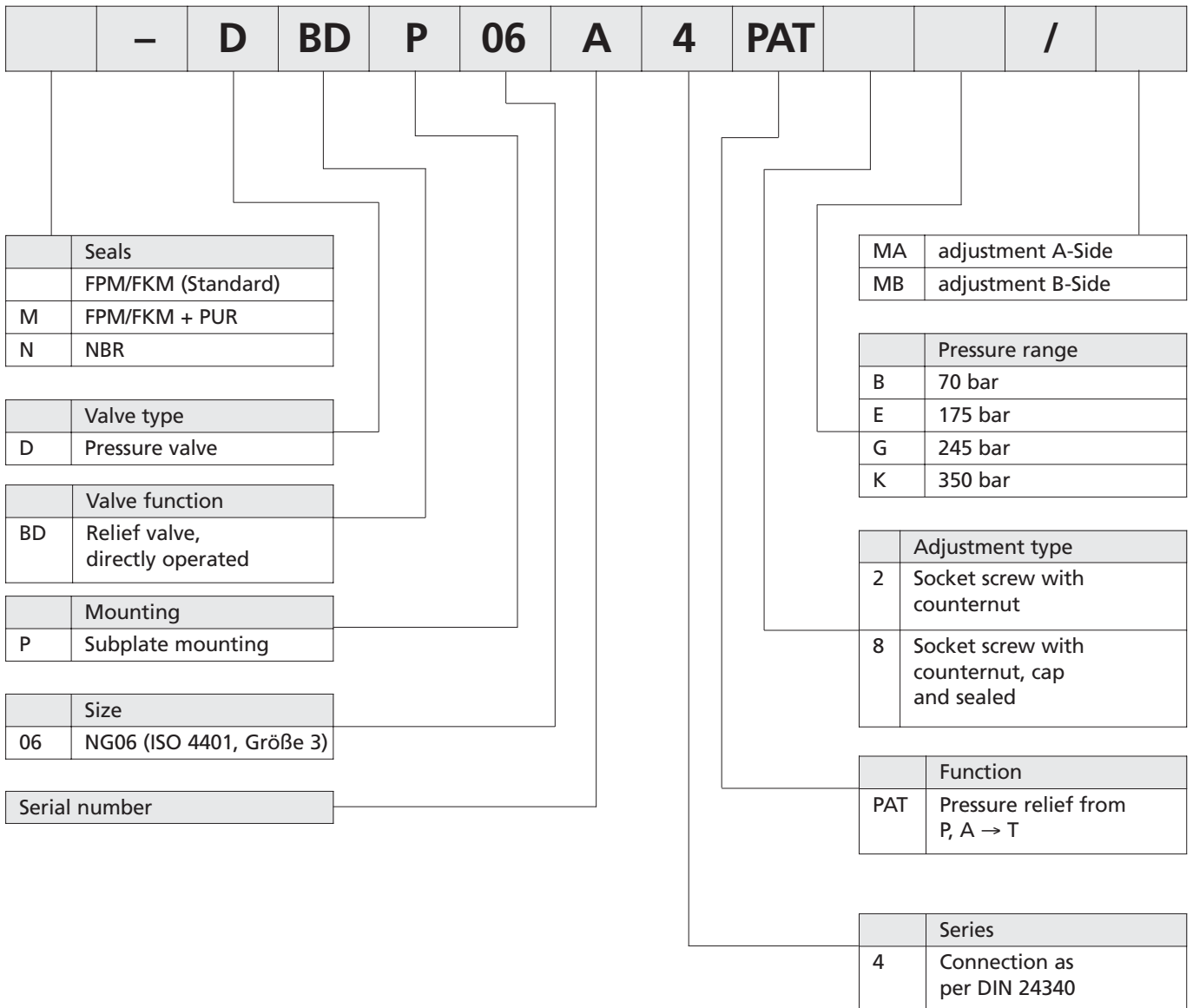
SPECIFICATIONS

General Data	Value	Unit	Specifications
Designation	–	–	Pressure relief valve
Mode of construction	–	–	Seat valve
Mounting style	–	–	Subplate mounting
Norminal size	–	–	Size 03 (ISO 4401-AB-03-4-A)
Dimensions	–	mm	see on page 3
Mounting position	–	–	any
Flow direction	–	–	P, A => T
Ambient temperature range	min. max.	°C °C	- 25 + 60
Weight	–	kg	1.4
Hydraulic data			
Working pressure P, A and T	min. max.	bar bar	0 350
Fluid temperature range	min. max.	°C °C	- 25 + 80
Viscosity range	min. max.	mm ² · s ⁻¹ (cSt) mm ² · s ⁻¹ (cSt)	2.8 380
Operational viscosity	v	mm ² · s ⁻¹ (cSt)	35
Nominal flow	Qn	l/min	6

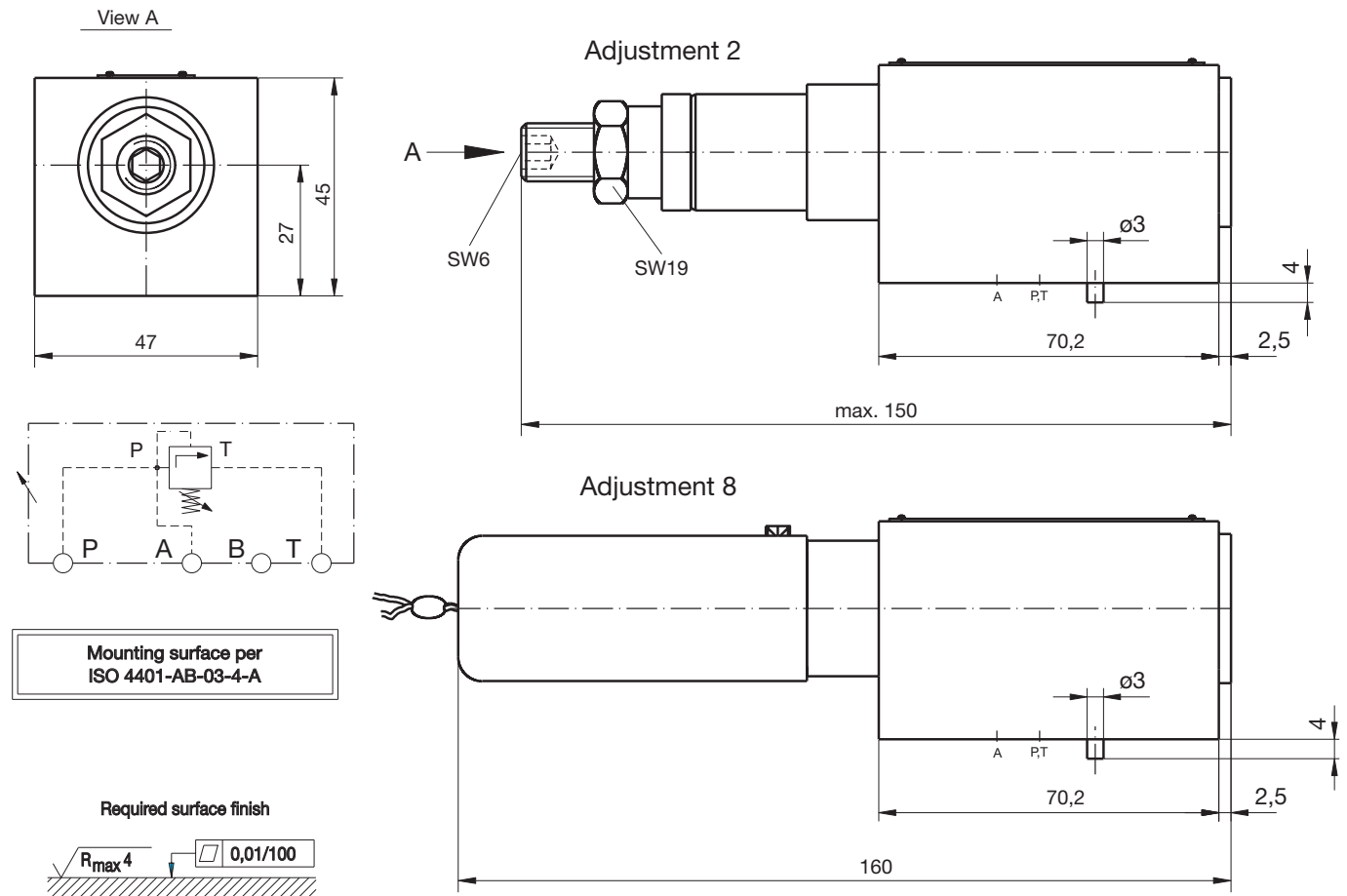
TYPICAL CHARACTERISTIC CURVES



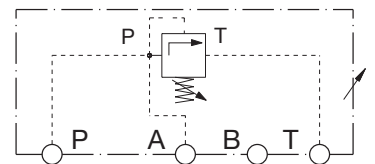
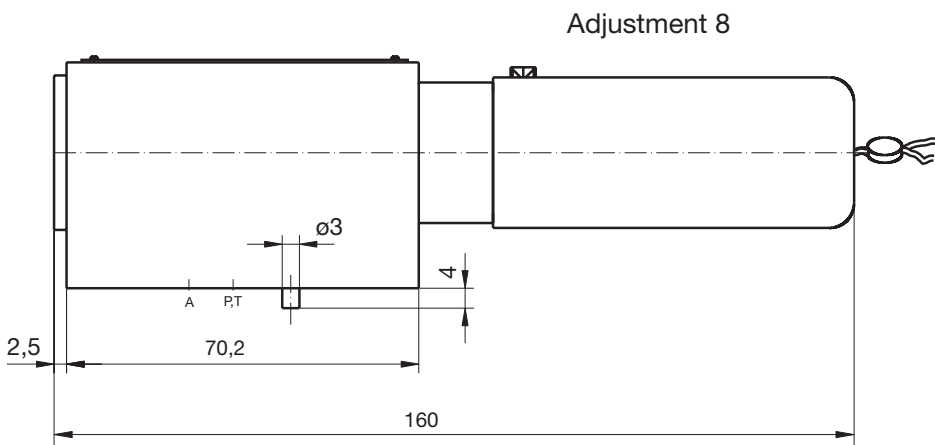
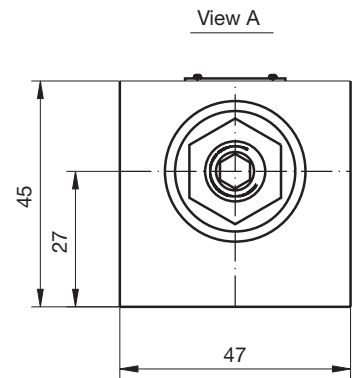
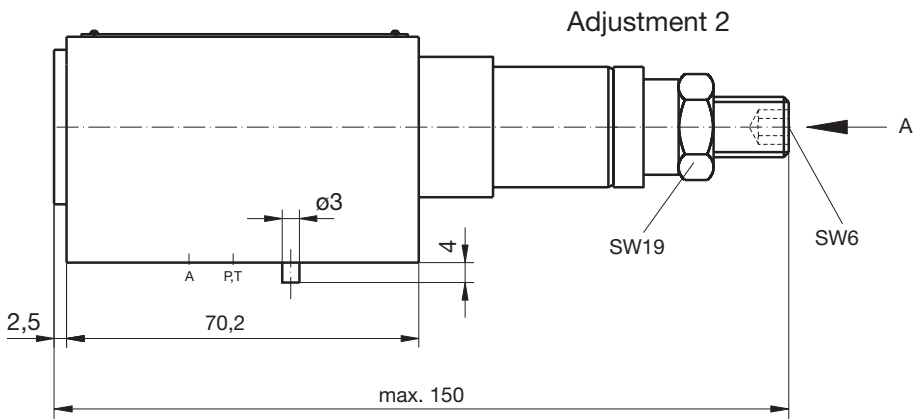
ORDERING INFORMATION



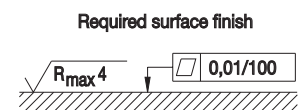
DIMENSIONS ADJUSTMENT A-SIDE



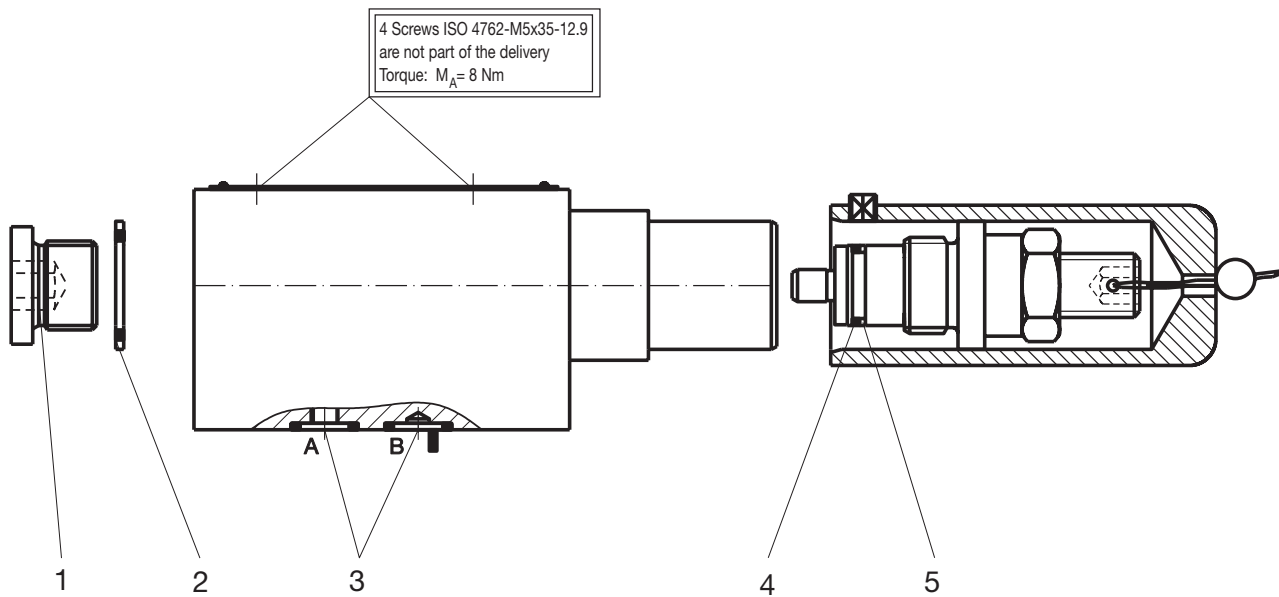
DIMENSIONS ADJUSTMENT B-SIDE



Mounting surface per
ISO 4401-AB-03-4-A



SPARE PARTS



Pos.	Designation	Order Number
	Seal Kit	XEB13972-000-00
1	Plug	X786-33502
2	Usit Ring	X783-12415
3	O-Ring	X980-02012
4	O-Ring	X980-02013
5	Back-Up Ring	X780-00074

Order example: O-Ring Pos.3 => Order Number: X980-02012

STANDARD MODELS

Designation	Order Number
DBDP06A4PAT8B/MA	XDB10352-000-01
DBDP06A4PAT8E/MA	XDB10353-000-01
DBDP06A4PAT8G/MA	XDB10354-000-01
DBDP06A4PAT8K/MA	XDB10355-000-01
DBDP06A4PAT8B/MB	XDB10033-000-01
DBDP06A4PAT8E/MB	XDB10034-000-01
DBDP06A4PAT8G/MB	XDB10035-000-01
DBDP06A4PAT8K/MB	XDB10036-000-01

