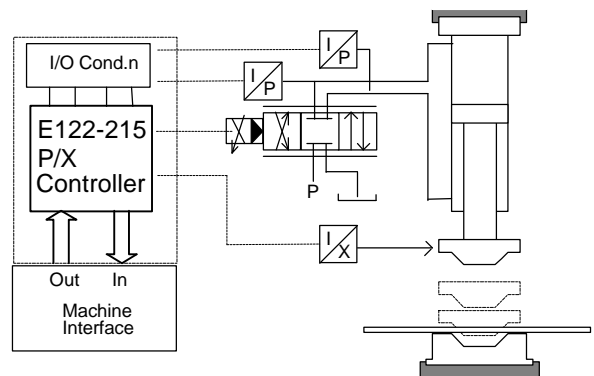


# M2000 Programmable Pressure/Position (P/X) Controller

E122-215-002 Single Eurocard  
Single Axis, RS-485 PC Tuneable

## Features:

- PID Pressure (P) Control
- Speed Ramped Position (X) Control
- Smooth Transition from (P) to (X)
- PLC Interface Analog and Logic I/O
- Auto Calibration of (P) and (X) Datum's
- Built in Commissioning Interface



## Description

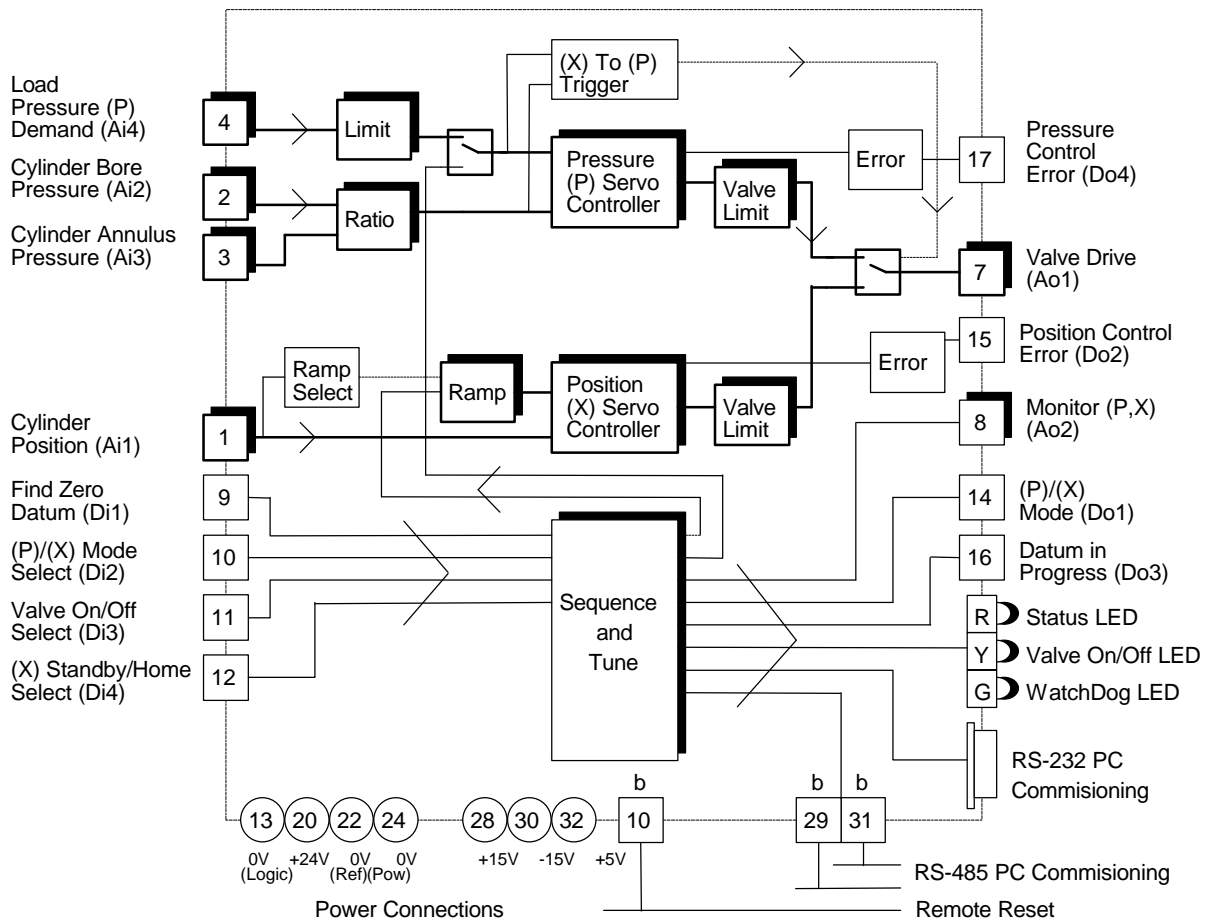
The E122-215-002 (P/X) controller is designed for hydraulic control systems where both position and pressure needs to be controlled (at different parts of the operating cycle). Typically the system might operate in position control mode but be armed to switch over to pressure control mode at the appropriate moment. Where necessary the switch over can be achieved in such a way as to minimise the transition (often referred to as bumpless transfer). In either mode of operation an analog command interface allows adjustment of the system set points from an external host controller (e.g a PLC). The same system may also be used to set the various operating modes and respond to controller status via the logic I/O interface.

## Application

- Presses
- Roll Nip Control
- Material Test
- Injection Moulding
- Reel winding

## Note:

The exact specification of the various operating modes is beyond the scope of this document. Consult Moog Controls Limited for more details. See overleaf for functional block diagram.



FUNCTIONAL BLOCK DIAGRAM AND EUROCARD INPUT/OUTPUT PIN DEFINITION

MOOG Controls Limited, Ashchurch, Tewkesbury, Gloucestershire, GL20 8NA, UK.  
Tel: (01684) 296 600, Fax: (01684) 296 760

Melbourne Australia, Vienna Austria, Sao Paulo Brazil, Birkerod Denmark, Tewkesbury England, Espoo Finland, Rungis France, Boblingen Germany, Kwai Chung Hong Kong, Bangalore India, Ringaskiddy Ireland, Malnate (VA) Italy, Hiratsuka Japan, Kwangju Japan, Baguio Philippines, Singapore Singapore, Orio Spain, Gothenburg Sweden, East Aurora (NY) USA.

Moog Controls Limited pursues a policy of continuous development and reserve the right to alter designs and specifications without prior notice. Information contained herein is for guidance only and does not form part of a contract.