

Fiber Optic Multiplexer Modules

16-Port Isolated RS-232 Daughterboard *Designed for Mini 4 and MiniMux 2 Multiplexers*

Description

The Prizm™ 16-Port RS-232 Daughterboard provides 16 channels pair-wise isolated channels of RS-232 data.

Our multiplexer systems have been the industry standard for over 10 years. Moog systems are used the world over by ROV manufacturers. Independent tests by the US Navy rate Moog systems at over 100,000 hours MTBF.

The Mini 4 system is fully configurable with a myriad of broadcast quality video and data channel combinations.

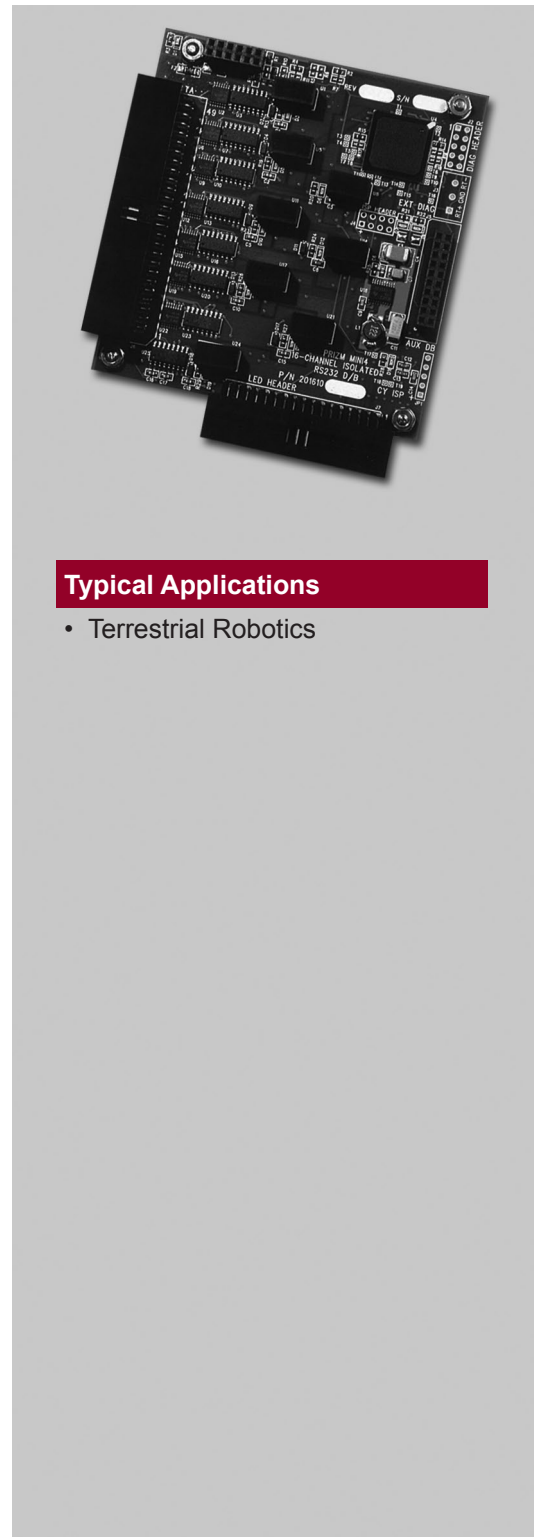
The experience of our engineering team provides customers the ability to design the system they need, including custom configurations and interfaces.

Features

- Provides 16 RS-232 data channels
- Each pair of channels is electrically isolated from the other pair
- May be used as eight independent data channels or as sixteen pair-wise isolated data channels
- Full system diagnostics with GUI output
- Expansion capability with various stackable daughterboards
- Active transmit / receive channel status LEDs

Benefits

- Independent tests by the US Navy rate Prizm systems at over 100,000 hours MTBF
- Fully configurable with a myriad of broadcast quality video and data channel combinations
- Custom configurations and interfaces



Typical Applications

- Terrestrial Robotics

PRIZM™

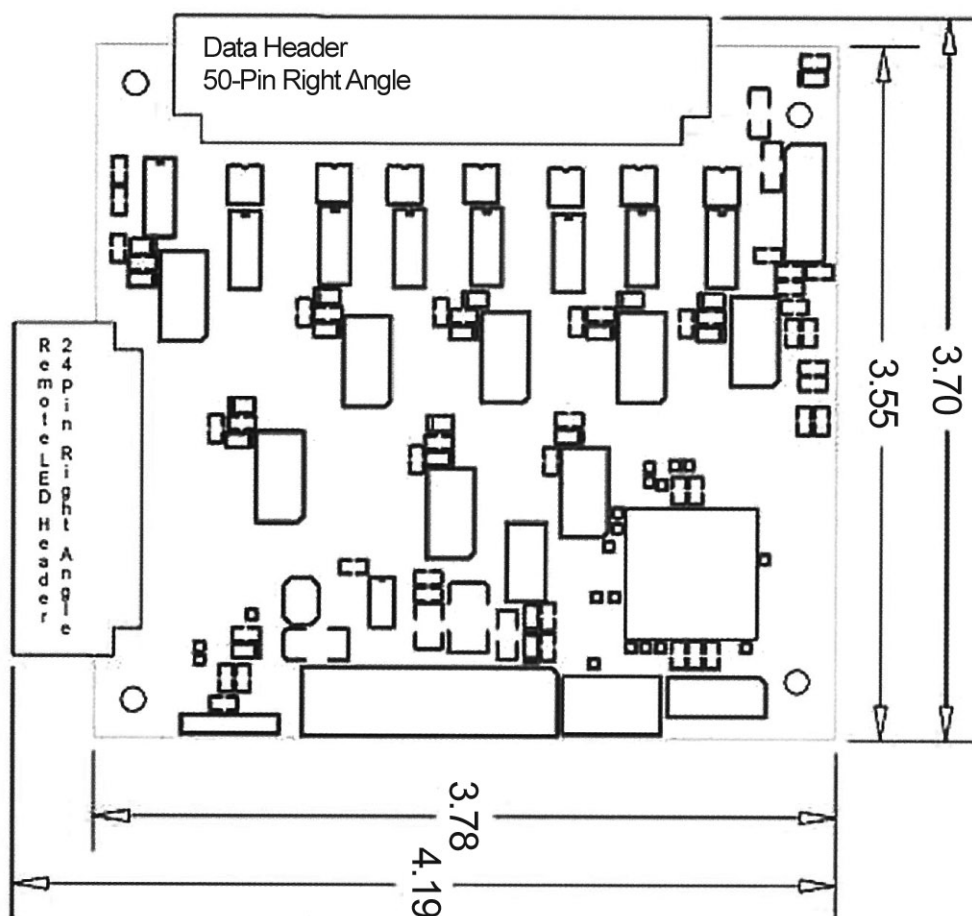
MOOG
COMPONENTS GROUP

Fiber Optic Multiplexer Modules

Specifications

Video / Data		Interface Connectors	
Data Channels	16 channels of RS-232	Remote LED header 24-pin right angle	
Max. Channel Data Rate	115 kbps	Date header 50-pin right angle	
Isolation	115 kbps	Environmental	
Input Signal Level RS-232	16 channels of RS-232	Operating Temperature	-20° to +65° Celsius
Mechanical		Storage Temperature	-40° to +85° Celsius
Data I / O Connector	Right angle dual row header AMP - P / N: 2-103167	Relative Humidity	Up to 90% non-condensing
Mating Connector	AMP - P / N: 4-87631-2	Ordering	
		Part Number	201610-001

Mechanical Information



Dimensions in inches.

24 / 7 Technical Customer Support
Hotline: 610-605-6101