

Model 306

Description

A fluid rotary union (FRU) functions as a rotary interface for fluid carrying conduit between stationary and rotating equipment. The fluid being conveyed can be liquid, gas, or vacuum. A fluid rotary union is also called a rotary union, fluid swivel, utility swivel, hydraulic swivel, hydraulic utility swivel, or rotary joint. Unlike flexible conduit, a fluid rotary union allows continuous unrestrained rotation of movable joints in machinery.

The Model 306 is a single pass fluid rotary union. It can be operated as a stand alone FRU. Its design has been optimized to allow easy integration with an AC4598 / AC6200 electric slip ring (ESR). The 1-1/2 inch hollow bore and ESR pigtail channels allow concentric shaft mounting or optional flange mounting with an ESR mounted directly to it using the optional adapter.

The Model 306 utilizes sealed-for-life rolling element bearings to provide long trouble free service. Filled PTFE based seals run on a hardened surface to provide long service life, minimizing frictional heat generation and operational torque.

Features

- 1-1/2 inch through bore
- Pigtail channels integral to shaft
- 1 pass with 1/2 inch BSPP ports
- Rated to 145 psi [10 bar] at 100 rpm continuous service.
- Maximum working pressure 4000 psi [275 bar]
- Maximum recommended speed 450 rpm (intermittent or with sufficient medium flow to cool assembly)
- 1/2-13 UNC-2B thread for torque arm
- Optional ESR drive pin matches AC4598 / AC6200 torque arm allowing a single anti rotation interface
- Optional ESR mount for AC4598 / AC6200 leaves reduced bore clear
- Stainless steel version available as special order

Benefits

- Continuous 360° rotation
- FRU transfers air, oil, other non-corrosive medium
- Provides long maintenance free service
- Convenient mounting of FRU / ESR combination



Typical Applications

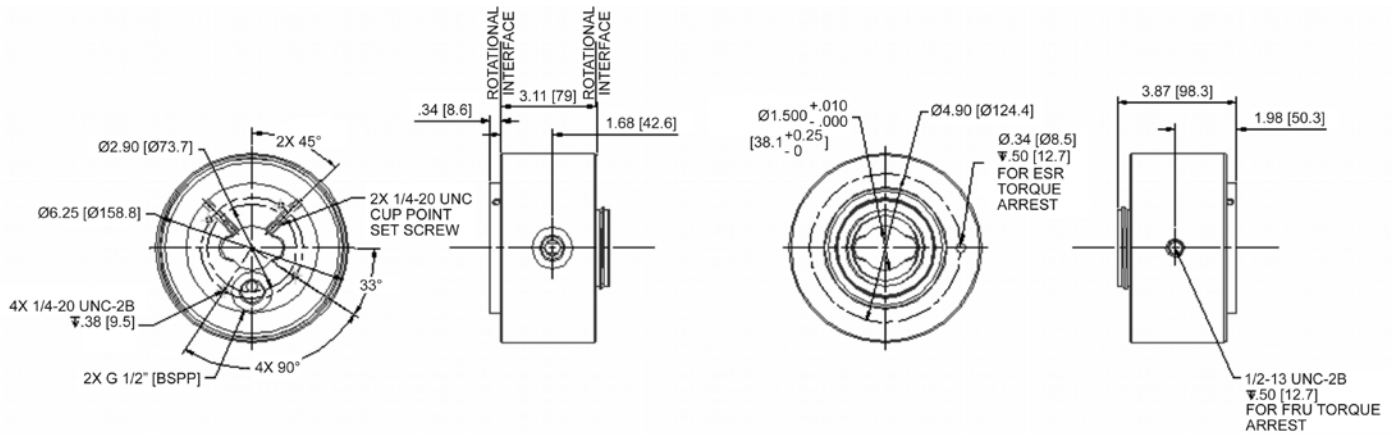
- Industrial machinery – machining centers, rotary index tables, heavy equipment turrets, cable reels, packaging machines, palletizing machines, labeling machines, remote sensing

Fluid Rotary Unions (FRU)

Model 306 Specifications		Options
Operating Temperature	-40° to 100° C	<ul style="list-style-type: none"> Stainless steel construction Torque arm
Passes Quantity Size	1x 1/2" BSPP	
Pressure and Speed	145 psi [10 bar] @ 100 rpm and 60° C	
Maximum Pressure	4000 psi [275 bar]	
Maximum Speed	450 rpm (intermittent or with sufficient cooling from medium)	
Maximum Torque (Estimated)	6 lb-ft [8 N-m]	
Weight	25 lb [11 kg]	
Environmental	IP42	

Please note that operational life of the unit is dependent upon rotational speed, environment and temperature. Flexible conduit should be used on the torque arm end to avoid side loading, which can shorten operational life.

Model 306 Dimensions



Dimensions in inches [millimeters]

