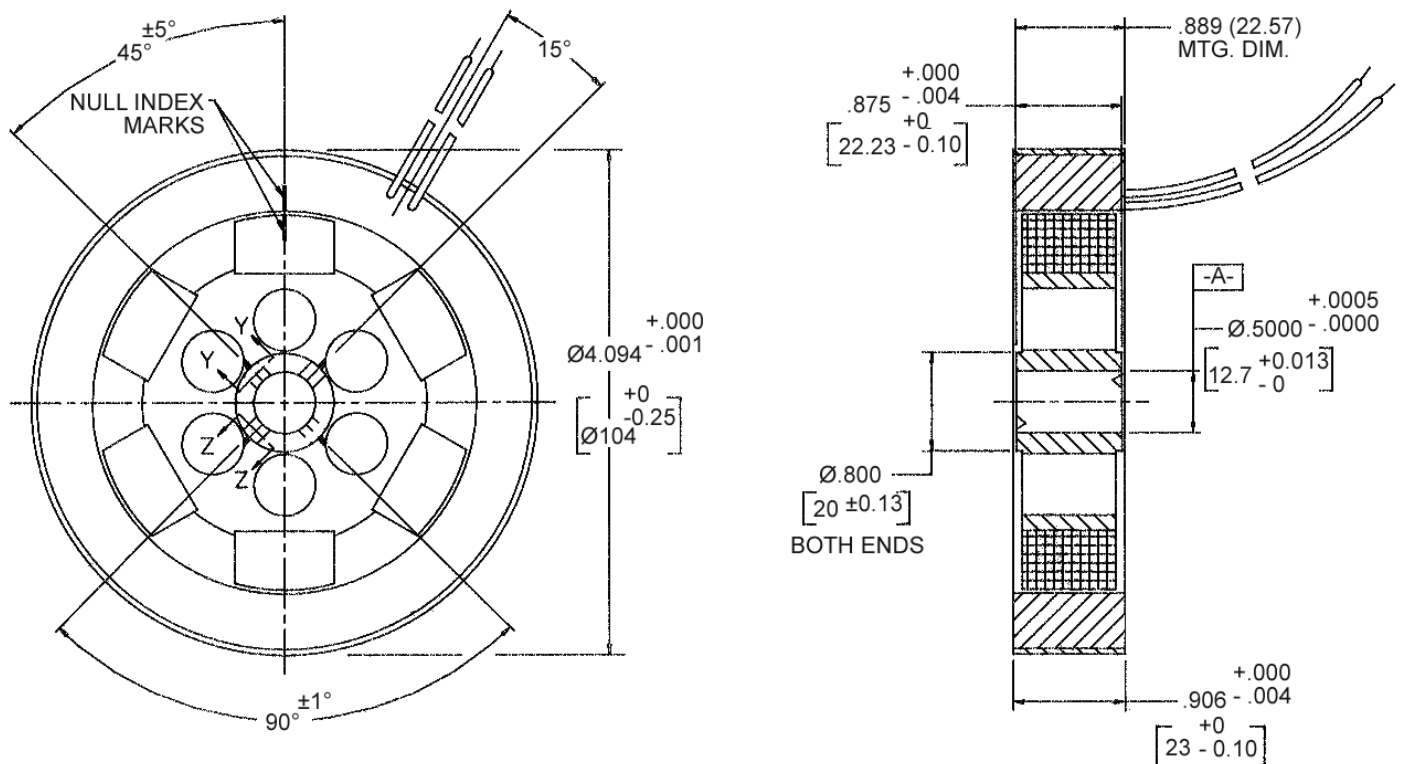


Brushless Limited Angle Torodial Motors

TD-4094-A SPECIFICATIONS @ 25°C

| Size Constants | Value | Units |
|--|----------|----------------------|
| Peak Torque, T_p | 144 | oz-in |
| Motor Constant, K_M | 21.5 | oz-in/ \sqrt{W} |
| Excursion Angle | ± 15 | degrees |
| Number of Poles | 6 | |
| Weight | 24 | oz (nom) |
| Motor Inertia, J_M | 7.60E-02 | oz-in-s ² |
| Friction Torque, T_F | 0.75 | oz-in |
| Electrical Time Constant, τ_E | 0.520 | ms |
| Mechanical Time Constant, τ_M | 23.42 | ms |
| Winding Constants | Value | Units |
| Torque Sensitivity, K_T | 48 | oz-in/amp |
| Back EMF, K_E | 0.338 | V per rad/s |
| Terminal Resistance, R_M | 5 | ohms (nom) |
| Terminal Inductance, L_M | 2.6 | mH (nom) |
| Voltage, Stalled at Peak Torque, V_p | 28 | volts |
| Amps at Peak Torque, I_p | 3 | amps |

TD-4094-A Typical Outline Drawing



Dimensions are in inches