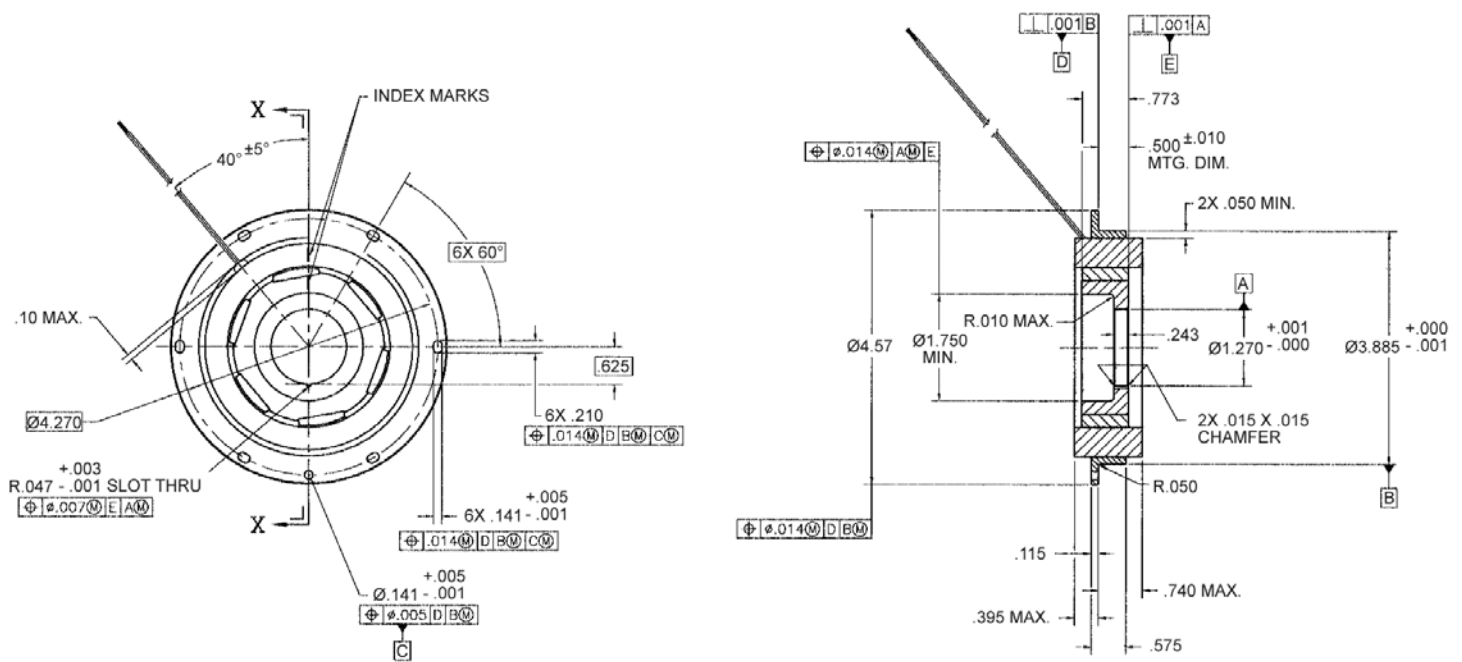


Brushless Limited Angle Torodial Motors

TD-4580-B-2S/K059 SPECIFICATIONS @ 25°C

Size Constants	Value	Units
Peak Torque, T_P	120	oz-in
Motor Constant, K_M	33.17	oz-in/ \sqrt{W}
Excursion Angle	± 5	degrees
Number of Poles	6	
Weight	30.5	oz (nom)
Motor Inertia, J_M	3.20E-02	oz-in-s ²
Friction Torque, T_F	6	oz-in
Electrical Time Constant, τ_E	1.364	ms
Mechanical Time Constant, τ_M	4.12	ms
Winding Constants	Value	Units
Torque Sensitivity, K_T	110	oz-in/amp
Back EMF, K_E	0.777	V per rad/s
Terminal Resistance, R_M	11	ohms (nom)
Terminal Inductance, L_M	15	mH (nom)
Voltage, Stalled at Peak Torque, V_P	17	volts
Amps at Peak Torque, I_P	1.55	amps

TD-4580-B-2S/K059 Typical Outline Drawing



Dimensions are in inches