

# Fiber Optic Multiplexer Modules

## The Essential Multiplexer

*Infinite Flexibility - One Fiber*

### Description

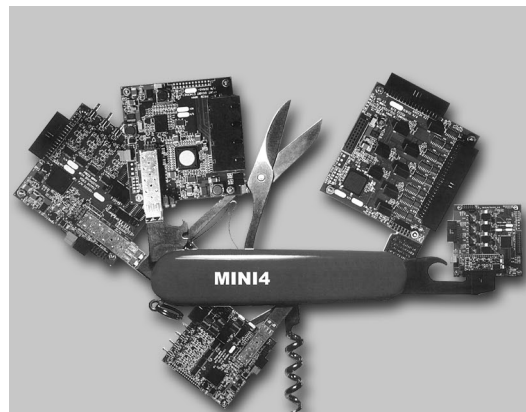
The Prizm™ Mini 4 Fiber Optic Multiplexer is a powerful, compact, flexible, intelligent and scalable telemetry tool that can be configured to meet any remote telemetry need.

### Features

- Fully transparent Ethernet link
- Dedicated 100 Mbps Ethernet link
- Designed for operation in harsh environments (-20° to +65° Celsius)
- Custom configurations available

### Benefits

- On a single fiber the Mini 4 supports:
  - Up to 16 Gbps of video and data, HD-Video, dual head high speed sonars, Gigabit Ethernet, tritech, responder triggers, serial data, analog signals and audio. Power consumption and heat dissipation are minimal.
- PC104 size cards easily fit into the smallest vehicles. Mini4 I/O density sets a new standard for the market
- Designed as building blocks, components of the Mini 4 product line can be assembled in any configuration that users require. Changes to configuration and upgrades are plug and play. Additionally, Mini 4 can accept any of the existing Prizm Mini Mux 2 daughtercards, (RS-232, RS-485 / 422, Ethernet, Audio) increasing flexibility and making upgrades of older systems cost effective.
- Onboard system diagnostics with GUI interface report on the status of each channel of the Mini 4 board. Up to 16 Mini4 sub systems can be monitored simultaneously in real time.
- Mini 4 can be used as a single board PC104 multiplexer and expanded as requirements change / A Mini 4 system can be expanded to support 16 Gbps of bidirectional video and data while accommodating high bandwidth sensors.



### Typical Applications

- Terrestrial Robotics

**PRIZM**™

**MOOG**  
COMPONENTS GROUP

# Fiber Optic Multiplexer Modules

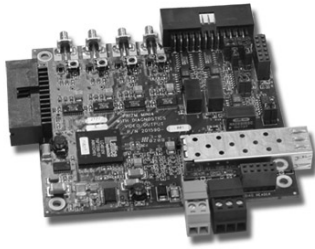
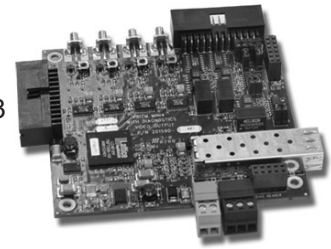


## 4-Port Gigabit Switch Ethernet Media Converter

Provides an elegant solution for converting twisted pair media to fiber optic media at up to 1 Gpbs.

## Mini 4

Combines the best of our proven Mini Mux 2 and Video 3 technologies to provide an elegant solution for high density applications. The unit is a fully integrated fiber optic digital multiplexer / modem.

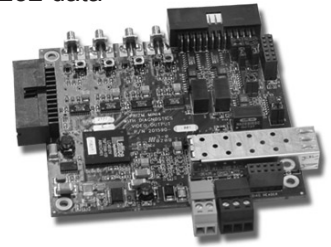


## 16-Port RS-232 Daughterboard

Provides 16 channels pair-wise isolated channels of RS-232 data

## Tritech Sonar / Trigger

Daughterboard provides a tritech sonar interface and 4 channels of isolated trigger / responder interfaces



## HD-SDI Interface Board

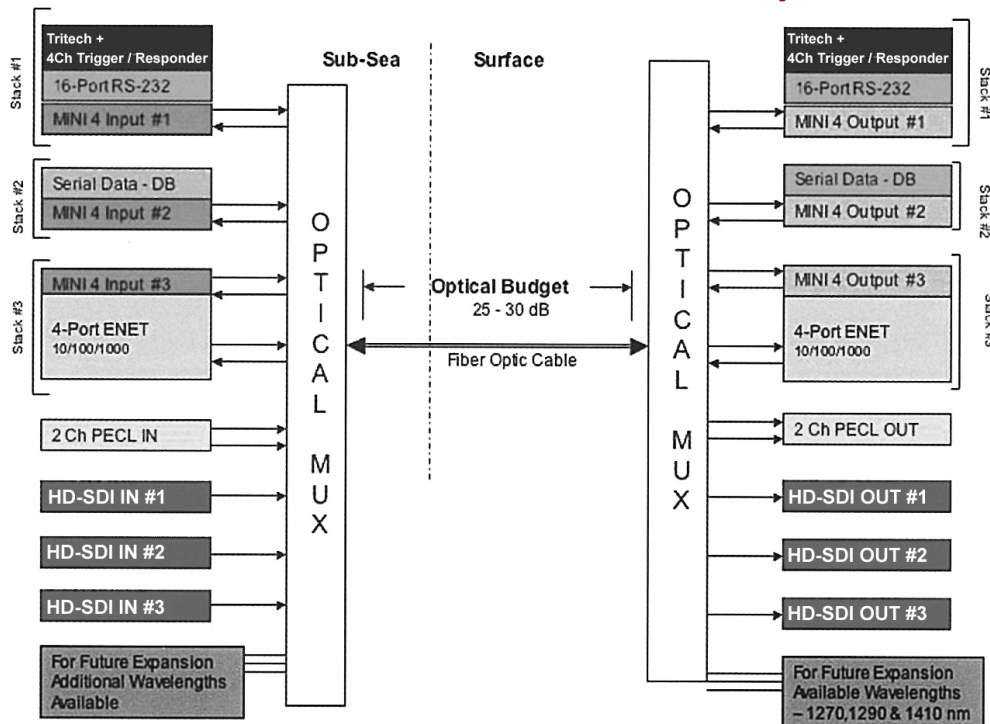
Supports HD TV / Video Camera via serial data interchange

## Dual High Speed Sonar Interface Board

Supports serial data interchange



## Modular and Scalable Architecture of Mini 4 System



24 / 7 Technical Customer Support  
Hotline: 610-605-6101

Specifications and information are subject to change without prior notice.  
©2009 Moog Inc. MS3012 02/09