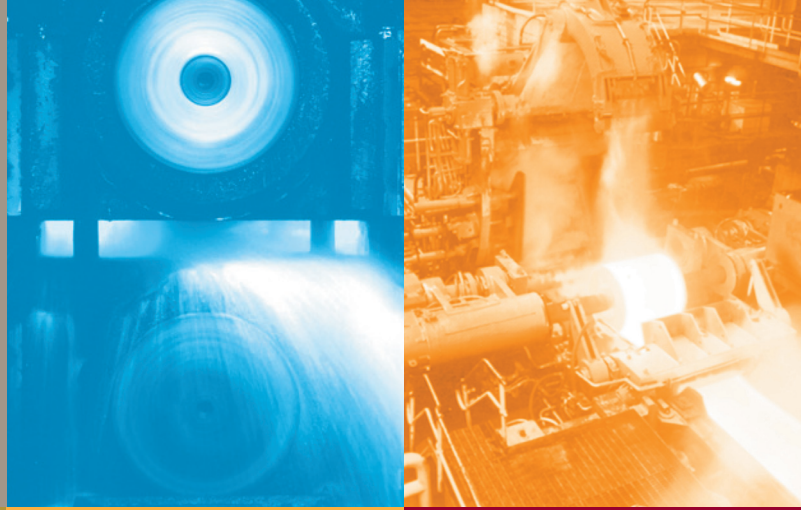


G123-820-001

SETPOINT AND RAMP



The G123-820 is a command signal generator that produces a sequence of ramped commands suitable for use as an input signal to a proportional valve, for open loop control of a cylinder or motor. Other applications include the provision of pre-set values for a closed loop control system. User supplied logic inputs select the four front panel set points, output polarity and ramp off.

Set points:

The four front panel set point potentiometers and an externally connected analog input signal are summed, passed through to a polarity selector circuit and then to a ramp circuit, before being presented as an output signal to command the proportional valve or closed loop control system.

Ramp:

The ability to select any of the four set points and the feature of setting the ramp time, depending on output polarity and direction of change of the ramp, make the G123-820 particularly versatile. An output deadband, that forces the output to zero when the ramp output is within $\pm 4\%$ of zero, is very useful for open loop applications.

Set up:

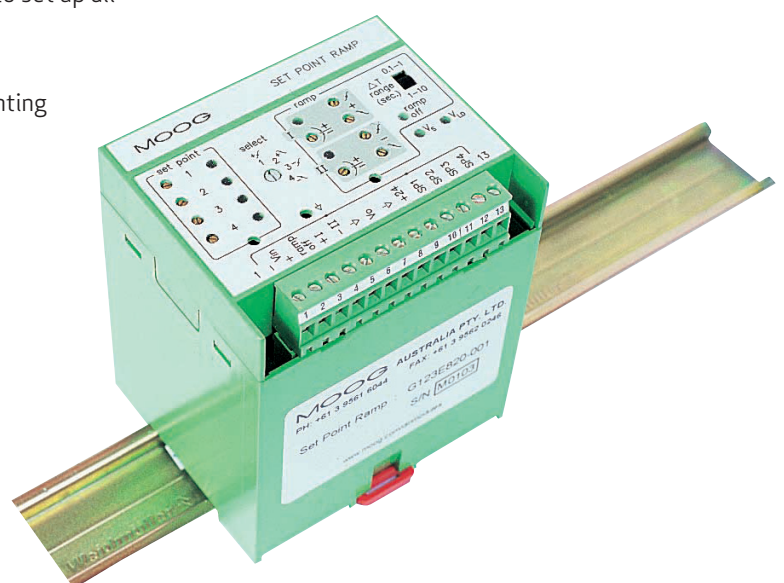
Front panel test points enable measurement of the four internal set points and the four ramp rates. The ability to measure the potentiometer settings "off line", on the front panel, enables system set-up without the need to continuously cycle the process and eliminates the requirement for an additional test box. Once the values for a particular process are known, they can be used to set up all subsequent systems.

Housing:

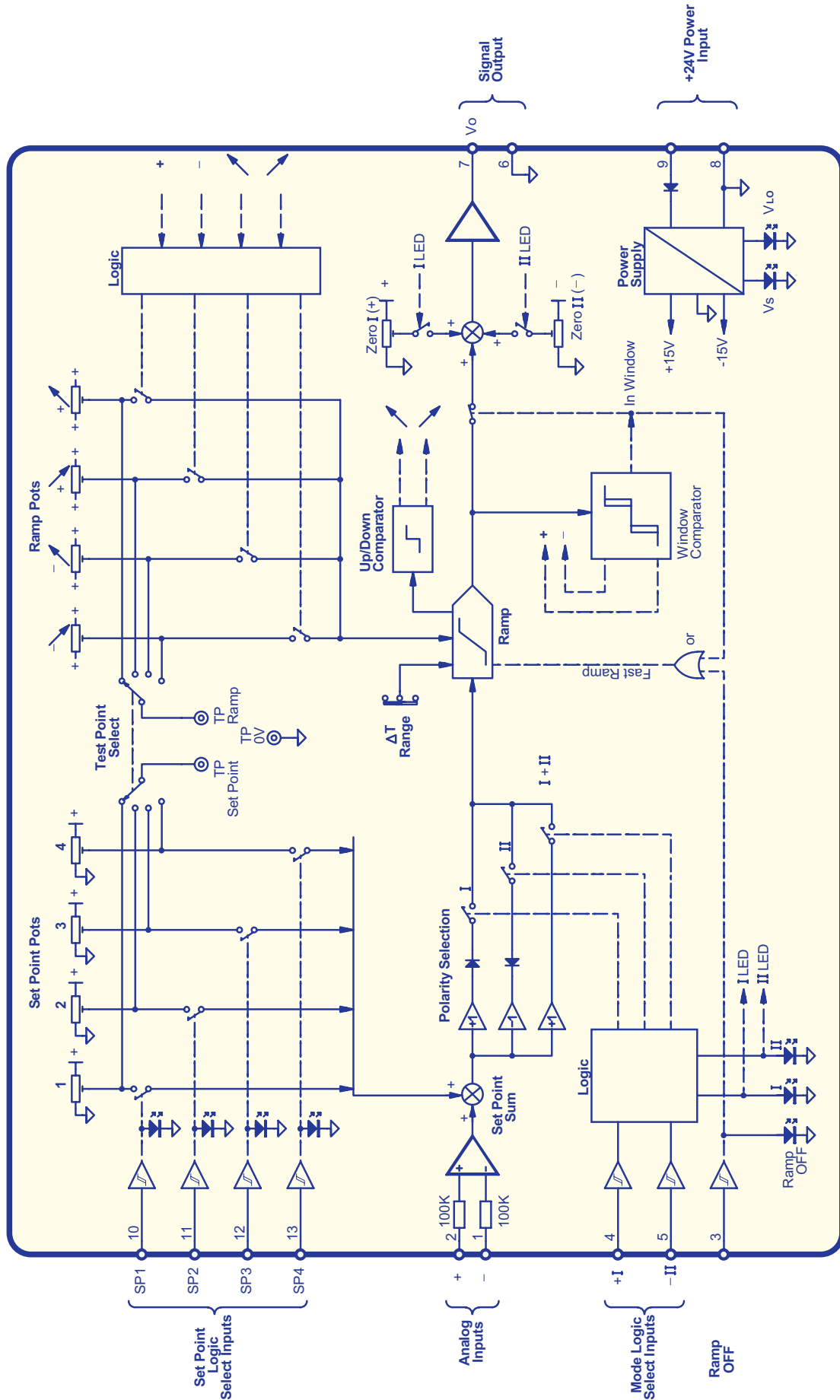
The Setpoint and Ramp is housed in a compact DIN rail mounting enclosure and requires a 24V DC supply.

ADVANTAGES

- Four set points
- Four ramp times
- Auto sensing of appropriate ramp time setting
- External analog input
- Ramp off input
- Control of output polarity
- Output deadband
- Output zero trim
- Test points to measure set points and ramp rates
- Convenient and logically grouped front panel controls
- Compact DIN rail housing



BLOCK WIRING DIAGRAM



SPECIFICATIONS

Analog input	Differential, 0 to $\pm 10V$ 100kOhm input resistance Common mode, $\pm 15V$ max
Logic input level	On at 10V Off at 5V Max 28V 5.1mA @ 24V
Logic input signals	Set points 1 to 4 Ramp off Mode I and II
Analog output	0 to $\pm 10V$ @ $\pm 10mA$ max Short circuit and over voltage protected
Output deadband	$\pm 4\%$ of full scale
Output polarity	0 to +10V, mode I 0 to -10V, mode II 0 to $\pm 10V$, mode I and II together
Ramp times for 10V change	0.1 to 1S, 1 to 10S
Front panel test points	Selected set point, 0 to +10V Selected ramp rate, +1 to +10V 0V reference
Front panel switches	Test point select ΔT ramp time range select, 0.1 to 1S and 1 to 10S
Front panel indicators	Set points 1 to 4 select – amber I mode select, positive output – amber II mode select, negative output – amber Ramp off select – amber V_s , internal supply – green V_{L0} , +24V supply below +17V – red

Front panel trim pots	Set points 1 to 4 Ramp I ↗ Ramp I ↘ Ramp II ↗ Ramp II ↘ Zero I Zero II
Supply	24V nominal, 22 to 28V 125mA @ 24V, max no. of front panel LEDs on
Mounting	DIN rail to EN50002 Housing IP40 Terminal block IP20
Temperature	0 to +40°C
Dimensions	90W x 75D x 107.5H
Weight	257g

Moog has offices around the world.
For more information or the office
nearest you, contact us online.

e-mail: info@moog.com

www.moog.com/industrial

Moog is a registered trademark of Moog Inc. and its subsidiaries. All trademarks as indicated herein are the property of Moog Inc. and its subsidiaries.
©2018 Moog Inc. All rights reserved. All changes are reserved.

DIN Setpoint and Ramp
Moog Aust/PDF/0418

ORDERING INFORMATION

Setpoint and Ramp G123-820-001

Delivery includes Setpoint and Ramp, DIN fuse holder,
2 x M205 250 mA T fuses and a 6 page application note.

This technical data is based on current available information and is subject to change at any time by Moog. Specifications for specific systems or applications may vary.

MOOG