

### Description

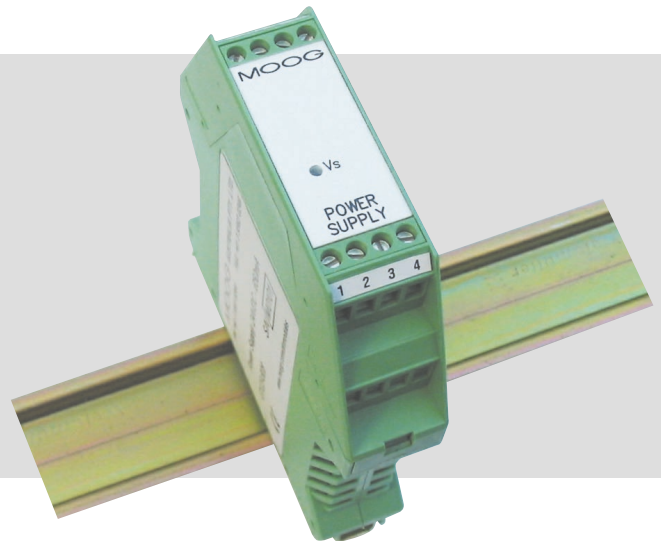
The G128-808A Power Supply provides a regulated 24VDC output from an AC or DC input supply. The G128-808A is suitable for powering devices with a combined continuous current of up to 1.3A.

The Power Supply uses a high reliability and efficient switching regulator design and is housed in a compact DIN rail mounting enclosure.

A 24VDC 2.0A Power Supply is also available. For information refer to the data sheet G128-809.

### Features

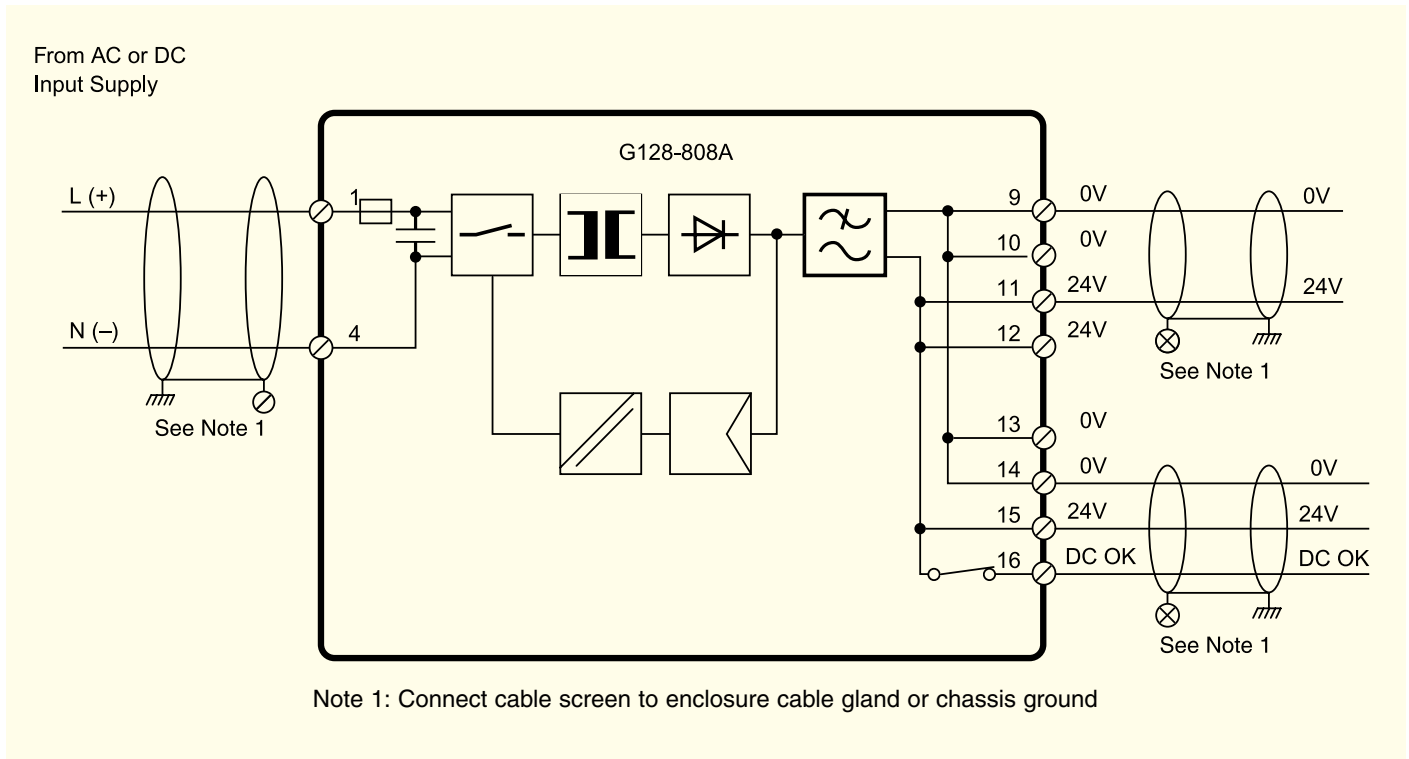
- Wide range AC or DC input.
- Regulated +24VDC low ripple output.
- Idle and short circuit protected.
- 3kV isolation from input supply.
- High efficiency, > 80%.
- High reliability, 500,000 hour MTBF.
- Parallel connectable for redundant operation.
- Compact DIN housing.
- CE marked.



### Specifications

|                             |  |                               |   |
|-----------------------------|--|-------------------------------|---|
| <b>Supply:</b>              | 85 to 264VAC, 45 to 65Hz<br>90 to 350VDC   | <b>Startup delay:</b>         | < 200mS   |
| <b>Inrush current:</b>      | typ. 15A for 3mS @ 25°C  | <b>Ripple:</b>                | < 100mVpp at nominal load   |
| <b>Power factor:</b>        | > 0.5  | <b>Line regulation:</b>       | < 0.1% for 10% input change   |
| <b>Isolation:</b>           | 3kVAC  | <b>Load regulation:</b>       | < 1% static for 10% to 90% load change<br>< 3% dynamic for 10% to 90% load change |
| <b>Mains buffering:</b>     | > 20mS @ 120VAC,<br>> 110mS @ 230VAC   | <b>Maximum power loss:</b>    | 4.5W at nominal load  |
| <b>Internal mains fuse:</b> | T1.25A 250V<br>Type: TRS compliant with IEC 127-2 sheet 3                        | <b>Front panel indicator:</b> | Vs: Green power LED   |
| <b>Output – voltage:</b>    | 24VDC fixed –0%/+3%  | <b>Mounting:</b>              | DIN rail  |
| <b>– current:</b>           | 1.3A max. @<br>T <sub>amb</sub> ≤ 40°C<br>1.0A max. @<br>T <sub>amb</sub> ≤ 60°C | <b>Protection type:</b>       | IP 20   |
| <b>DC OK:</b>               | V out > 21.5V = high<br>V out < 21.5V = low<br>20mA output max. when high        | <b>Temperature:</b>           | 0 to +40°C  |
|                             |  | <b>Dimensions:</b>            | 100W x 108H x 22.5D   |
|                             |  | <b>Weight:</b>                | 190g  |
|                             |  | <b>Approvals:</b>             | CE mark: EN50081.2 emission<br>EN61000-6-2 immunity                               |

# Operating Details



## Ordering Information

Power Supply, 24VDC, 1.3A G128-808A.

### Internet Data

For a detailed Application Manual and the latest version of this Data Sheet please refer to the Moog website [www.moog.com/dinmodules](http://www.moog.com/dinmodules)

# MOOG

Industrial Controls Division. Moog Inc., East Aurora, NY 14052-0018. Telephone: 716/652-3000. Fax: 716/655-1803. Toll Free 1-800-272-MOOG.

Moog GmbH. Germany. Telephone: 07031-622-0. Fax: 07031-622-100.

Moog Sarl. France. Telephone: 01 45 60 70 00. Fax: 01 45 60 70 01.

Moog Australia Pty. Ltd. Telephone: 03 9561 6044. Fax: 03 9562 0246.

Moog pursues a policy of continuous development and reserves the right to alter designs and specifications without prior notice. Information contained herein is for guidance only and does not form part of a contract.

Australia: Melbourne, Sydney, Brisbane ■ Austria: Vienna ■ Brazil: São Paulo ■ Denmark: Birkerød ■ England: Tewkesbury ■ Finland: Espoo ■ France: Rungis ■ Germany: Böblingen, Dusseldorf ■ Hong Kong: Shatin ■ India: Bangalore  
Ireland: Ringaskiddy ■ Italy: Malnate (VA) ■ Japan: Hiratsuka ■ Korea: Kwangju-Kun ■ Philippines: Baguio City ■ Singapore: Singapore ■ Sweden: Askim ■ USA: East Aurora (NY)