

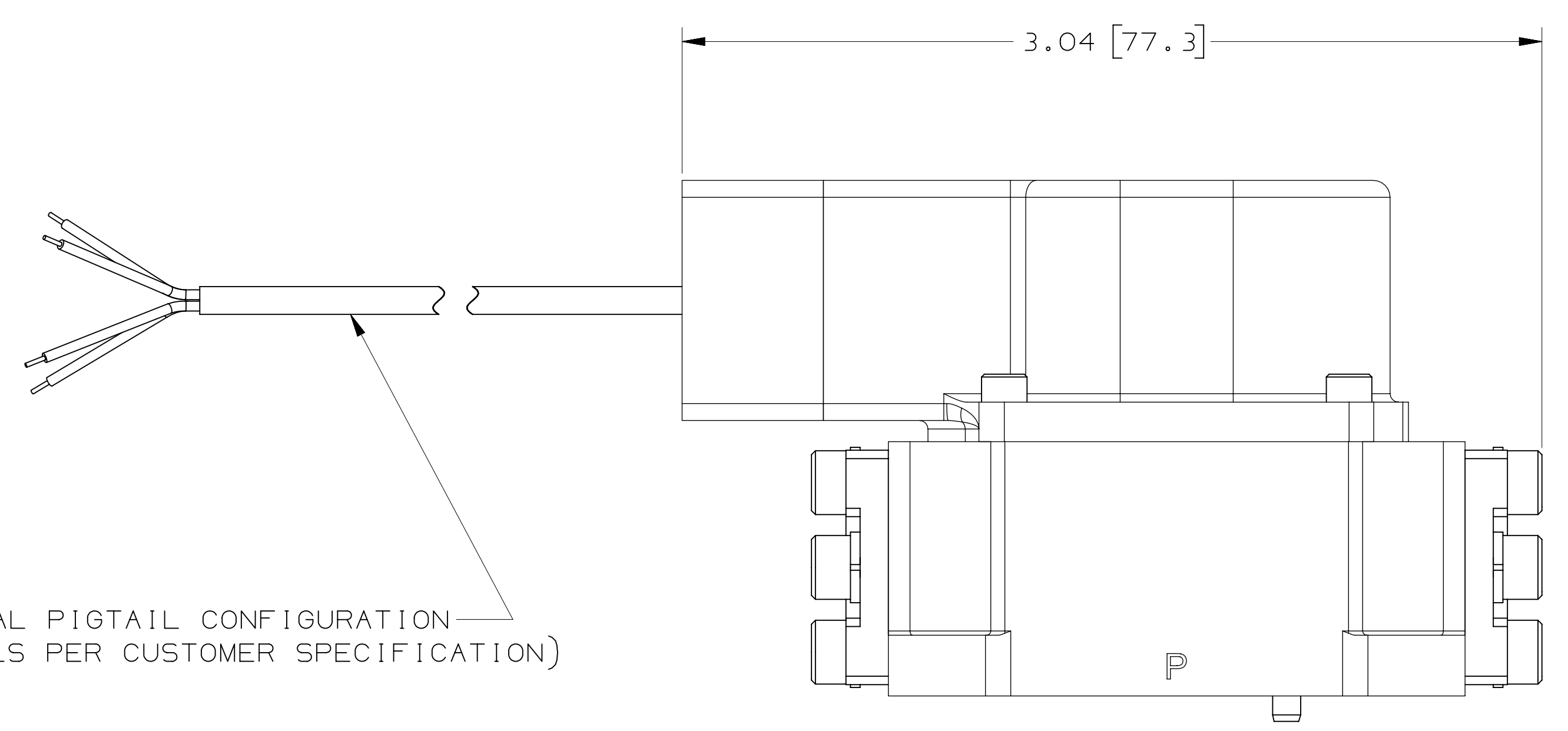
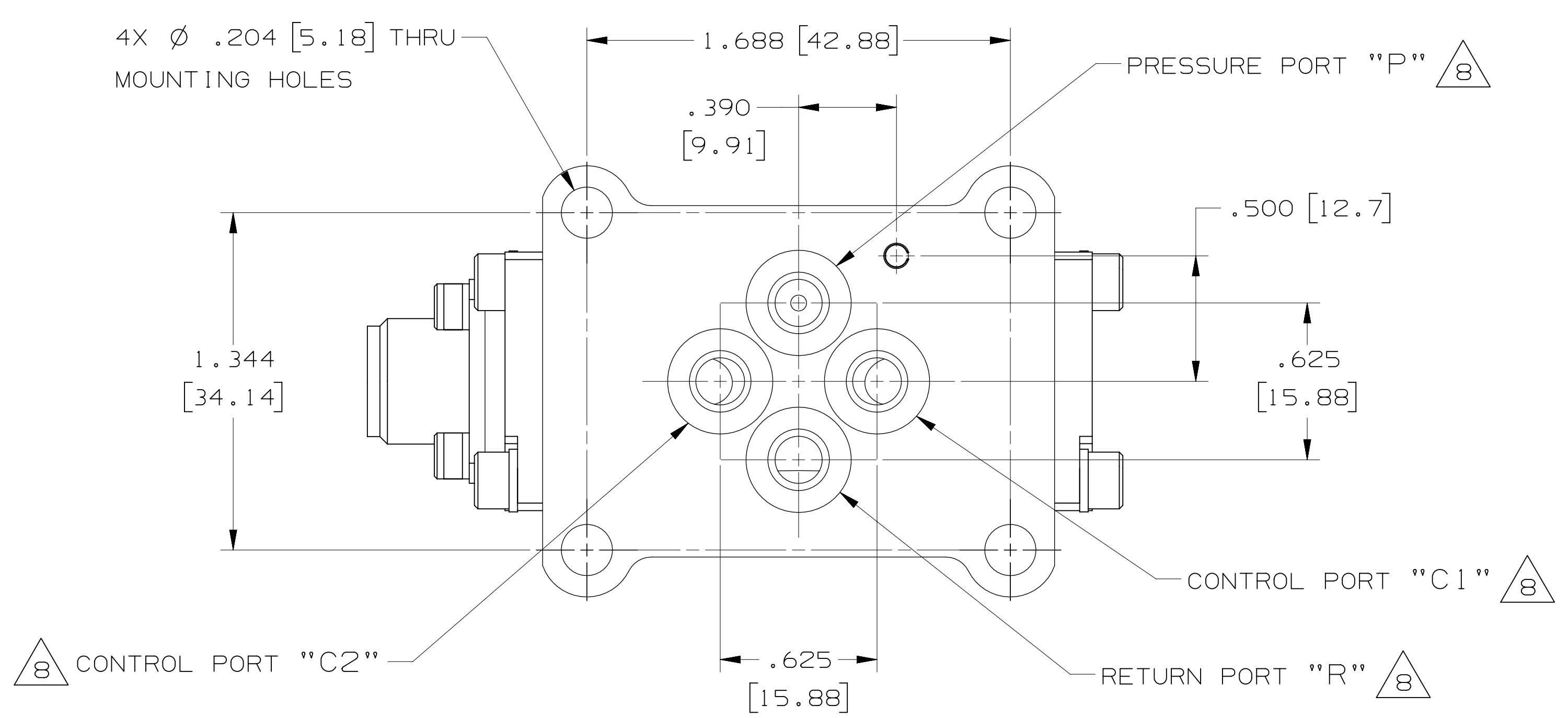
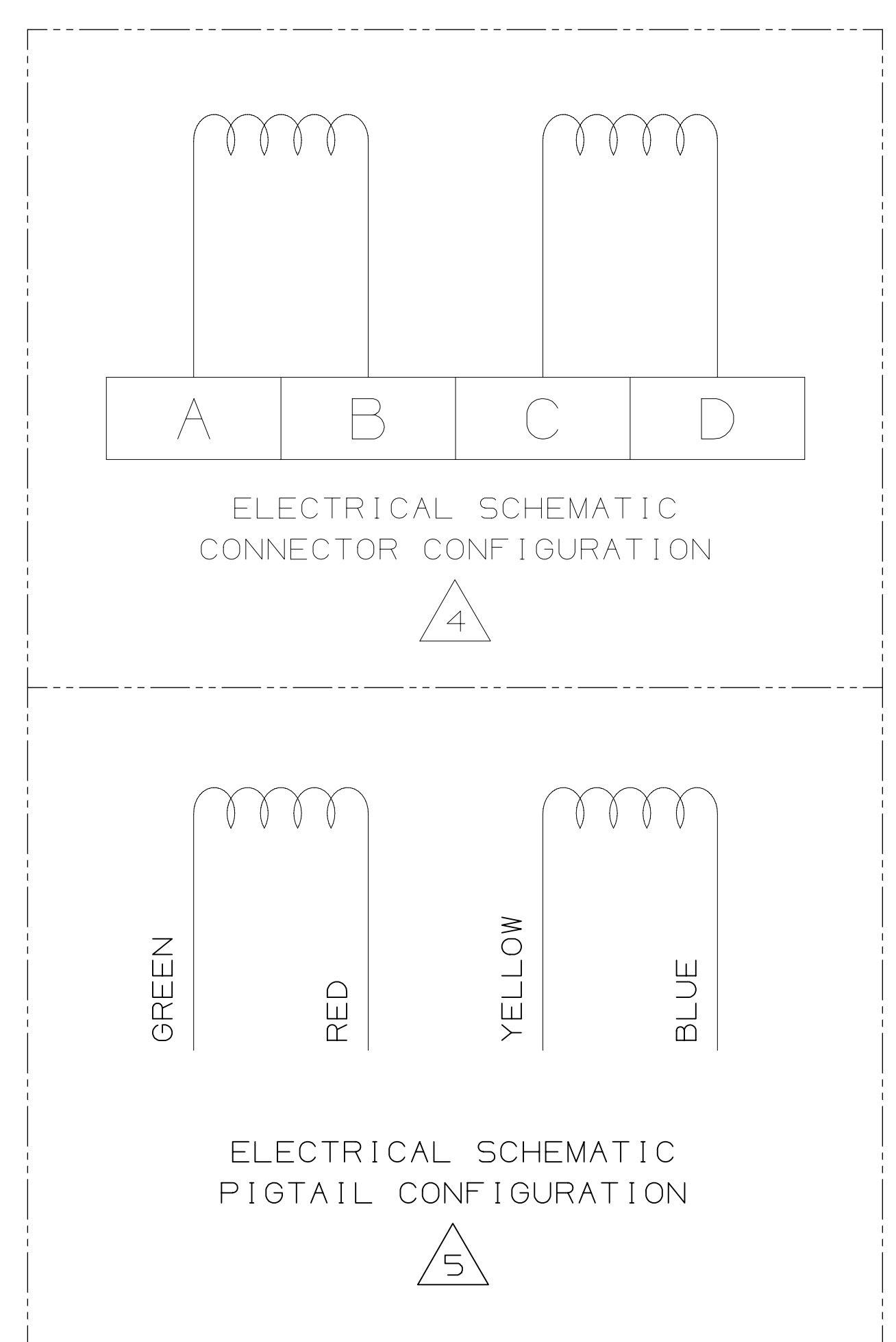
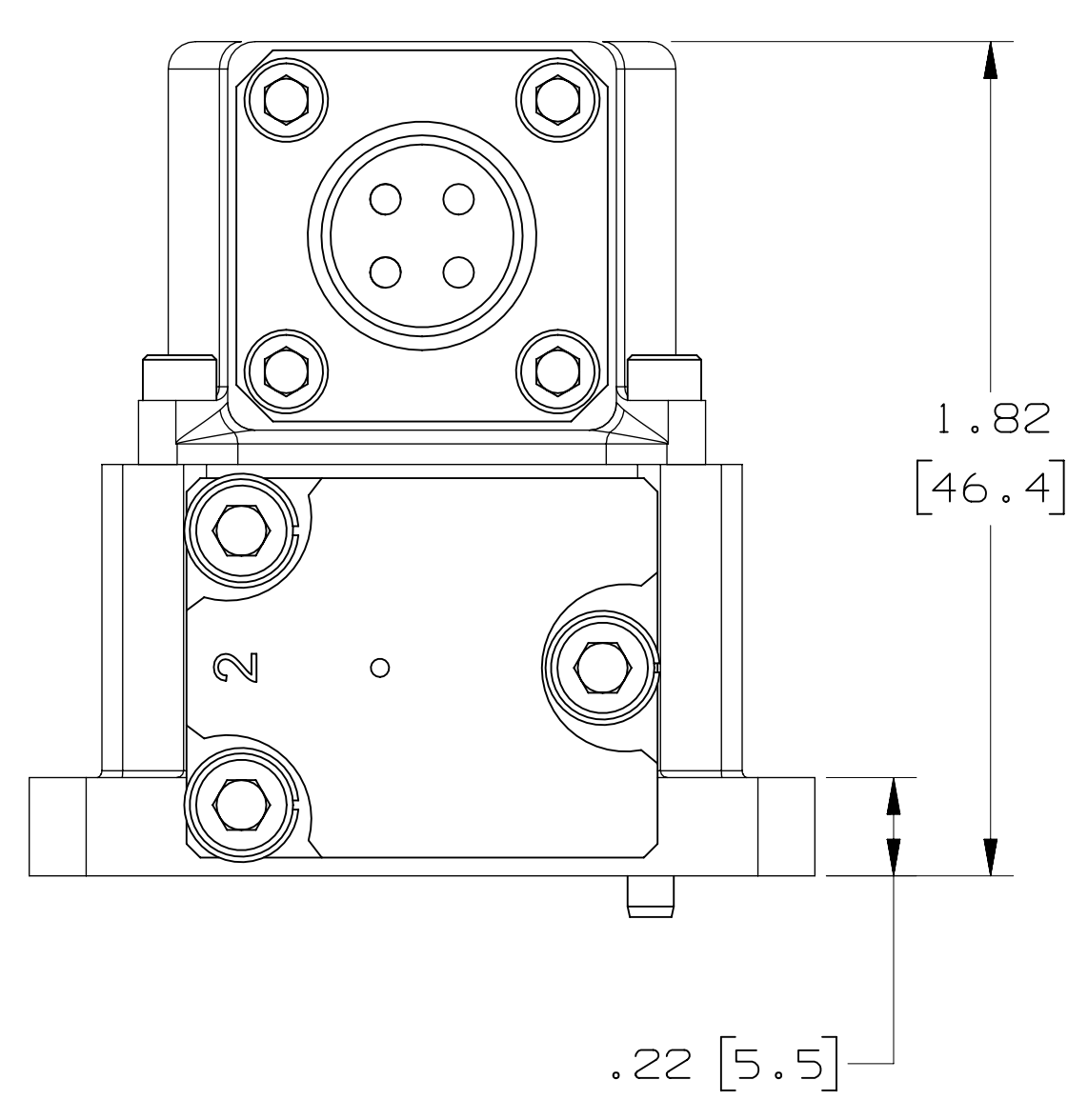
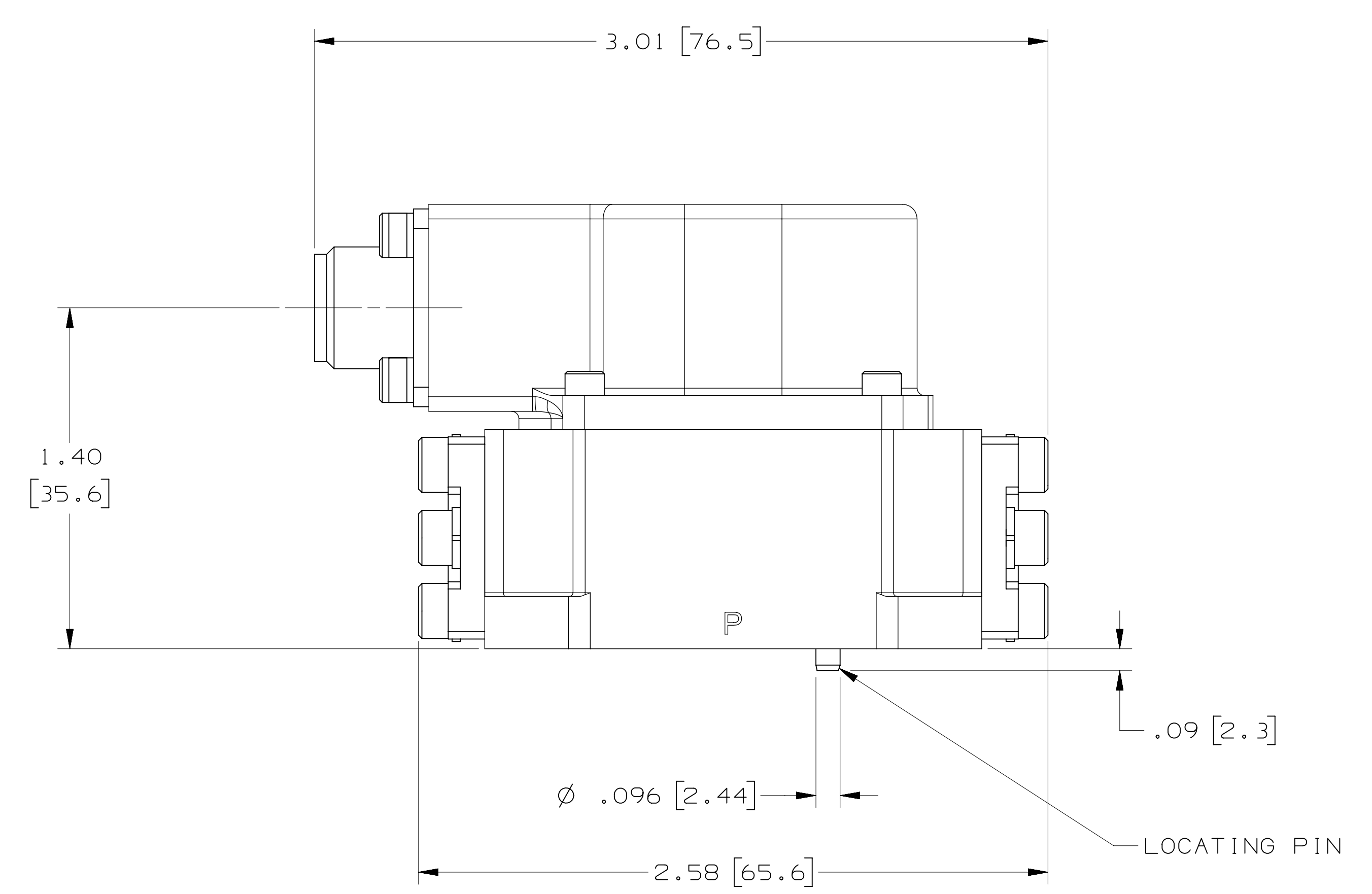
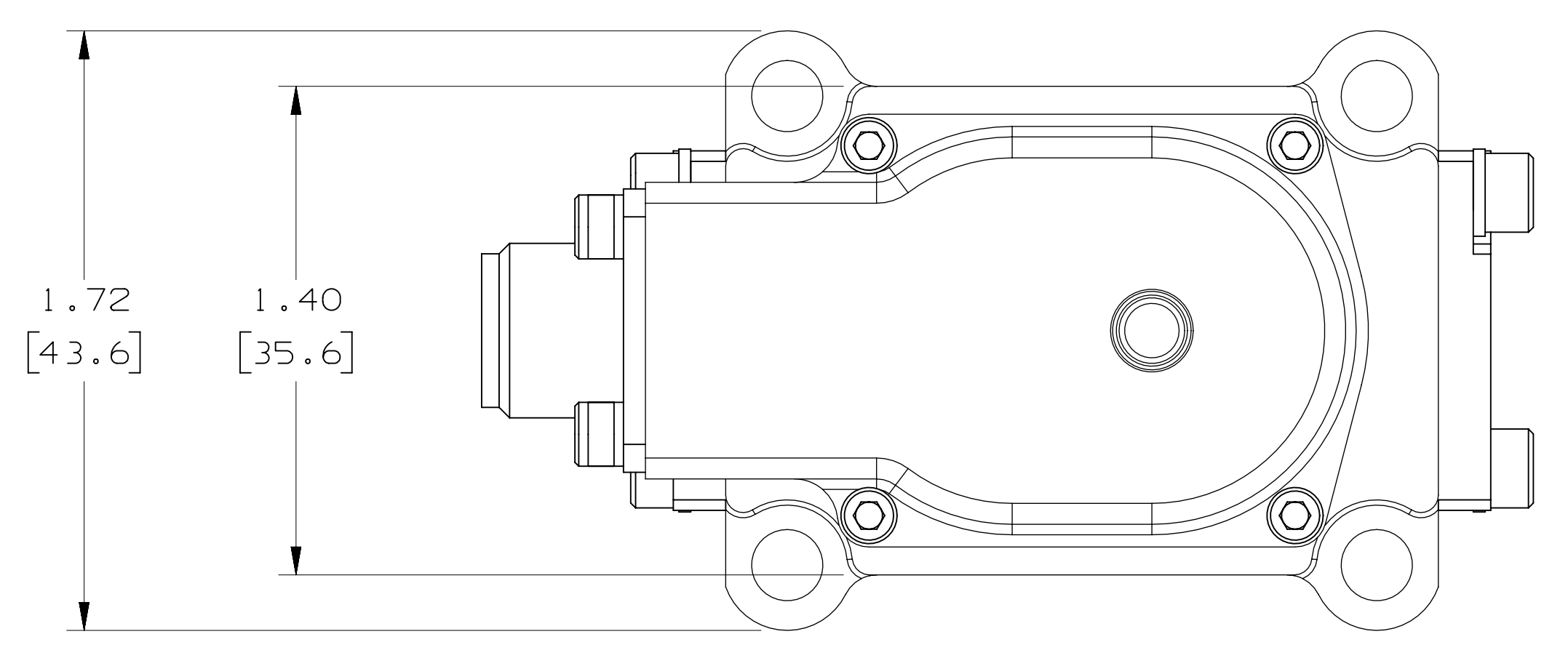
ZONE		REV	DESCRIPTION	DATE	APPROVED
		-	EO UE106B142: RELEASE	20190501	KJY/RJM
		A	SEE EO UE106B373	20190618	MJN/RJM

THIS TECHNICAL DATA/DRAWING/DOCUMENT CONTAINS MOOG PROPRIETARY AND CONFIDENTIAL INFORMATION. SUBSIDIARIES EXCEPT AS EXPRESSLY GRANTED BY CONTRACT OR BY OPERATION OF LAW AND IS RESTRICTED TO USE BY ONLY MOOG EMPLOYEES AND OTHER PERSONS AUTHORIZED IN WRITING BY MOOG OR AS EXPRESSLY GRANTED BY CONTRACT OR BY OPERATION OF LAW. NO PORTION OF THIS DATA/DOCUMENT SHALL BE REPRODUCED OR DISCLOSED OR FURNISHED IN WHOLE OR IN PART TO OTHERS OR USED BY OTHERS FOR ANY PURPOSE WHATSOEVER EXCEPT AS SPECIFICALLY AUTHORIZED IN WRITING BY MOOG INC. OR MOOG INC. SUBSIDIARY.

THIS DOCUMENT CONTAINS TECHNOLOGY SUBJECT TO THE U.S. EXPORT ADMINISTRATION REGULATIONS (EAR) AND MAY NOT BE EXPORTED OR TRANSFERRED TO ANY UNLICENSED PERSON, ENTITY, OR COMPANY, BY ANY MEANS, OR FOR ANY PURPOSES REQUIRING A LICENSE, WITHOUT PRIOR WRITTEN APPROVAL FROM THE U.S. DEPARTMENT OF COMMERCE, BUREAU OF INDUSTRY AND SECURITY (BIS). DIVERSION CONTRARY TO U.S. LAW IS PROHIBITED.

NOTES:

1. FLUID:  
PETROLEUM BASE, OR SELECTED PHOSPHATE ESTER FLUID,  
60 TO 450 SSU AT 100°F (10 TO 97 CENTISTOKES AT 38°C).  
  
CLEANLINESS LEVEL PER NAS 1638: CLASS 6.
2. OPERATING TEMPERATURE RANGE: -20°F TO +275°F (-29°C TO +135°C).
3. MAXIMUM OPERATING PRESSURE: 4000 PSI (275 BAR).
4. STANDARD POLARITY OPERATION:  
FLOW OUT CONTROL PORT "C2" WHEN:  
SERIES: A+, B & C TIED, D-  
PARALLEL: A & C TIED +, B & D TIED -  
SINGLE: A+, B- OR C+, D-
5. STANDARD POLARITY OPERATION:  
FLOW OUT CONTROL PORT "C2" WHEN:  
SERIES: GREEN +, RED & YELLOW TIED, BLUE -  
PARALLEL: GREEN & YELLOW TIED +, RED & BLUE TIED -  
SINGLE: GREEN +, RED - OR YELLOW +, BLUE -
6. ELECTRICAL CONNECTOR MATES WITH PC-06E-8-45 OR EQUIVALENT.
7. DIMENSIONS ARE FOR REFERENCE ONLY.  
DIMENSIONS IN BRACKETS ( ) ARE IN MILLIMETERS.
8. PORTS P, R, C1, C2:  
□  $\phi$  .420 [10.67] O.D. X  $\phi$  .246 [6.25] I.D.  $\nabla$  .049 [1.24]  
O-RINGS: .239 [6.07] I.D. X .070 [1.78] CROSS SECTION (UNIVERSAL SIZE -010).
9. SURFACE TO WHICH VALVE IS MOUNTED REQUIRES  $\sqrt{32}$  [  $\sqrt{0.8}$  ],  $\square$  .001 [0.025].
10. SUGGESTED MOUNTING SCREWS: #10-32 X .50 LONG SOCKET HEAD CAP SCREWS.



LAST SECTION/DATUM		NEXT ASSEMBLY		USED ON		UNLESS OTHERWISE SPECIFIED: DIMENSIONS: .01 .xxx .005 ANGULAR: 0° 30' FILLETS: R15 EDGES: .010 SURFACE ROUGHNESS: 125 CONCENTRIC DIAMETERS: 1.008 DRAUGHT POINTS: 1:1 ALL DIMENSIONS ARE IN INCHES PART TO BE FREE OF BURRS		INTERPRET DRAWING PER MIL-STD-100 DIMENSIONING AND TOLERANCING PER ASME Y14.5M-1994		CONTRACT NO.		MOOG INC.	
THIRD ANGLE PROJECTION										PREPARED: M. YACOS 20190430		MOOG INC., EAST AURORA, NY 14052	
										CHECKED: R. MILITTO 20190430		TITLE: INSTALLATION, SERVO VALVE, -031 SERIES, STANDARD	
										MGR ENGR:		SIZE: 5/8	
										PRD ENGR: R. MILITTO 20190426		DWG NO.: CC73846	
										MFG: M. RICHMOND 20190426		SCALE: 5/2	
										QUAL: C. WENRICH 20190426		SHEET 1 OF 1	

INTERNATIONAL PART