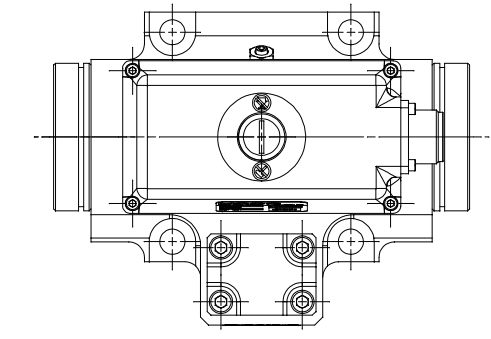
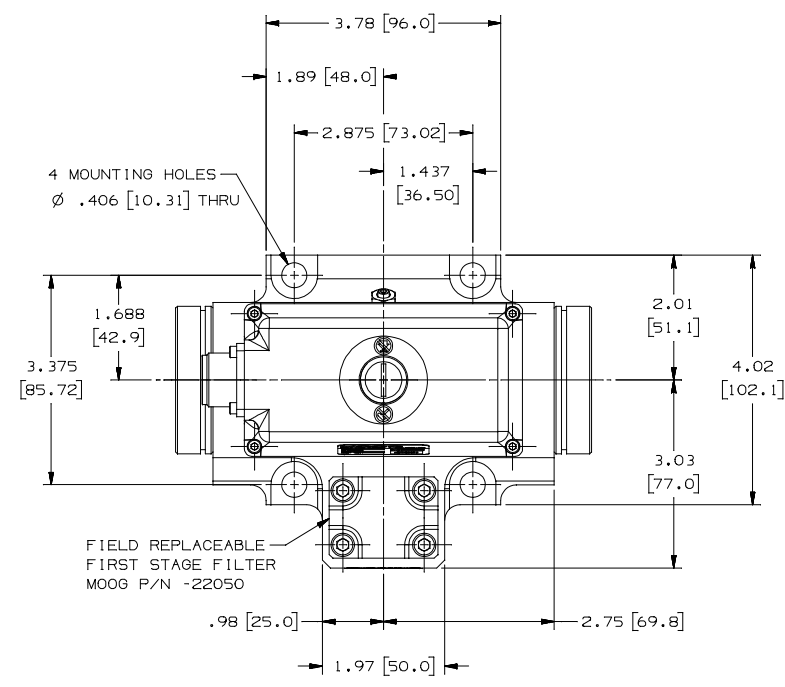


THIS TECHNICAL DATA/DRAWING/DOCUMENT CONTAINS MOOG PROPRIETARY AND CONFIDENTIAL INFORMATION. INFORMATION CONTAINED HEREIN IS TO BE USED BY THE USER FOR THE EXCLUSIVE PROPERTY OF MOOG INC. OR MOOG INC. SUBSIDIARIES. ANY REPRODUCTION OR DISSEMINATION OF THIS INFORMATION WITHOUT THE WRITTEN PERMISSION OF MOOG INC. OR MOOG INC. SUBSIDIARIES IS PROHIBITED. THIS TECHNICAL DATA/DRAWING/DOCUMENT SHALL BE PROTECTED OR CLASSIFIED OR CONTROLLED OR RESTRICTED TO THE EXTENT OF THE RIGHTS OF MOOG INC. OR MOOG INC. SUBSIDIARIES FOR ANY PURPOSE WHATSOEVER EXCEPT AS SPECIFICALLY AUTHORIZED IN WRITING BY MOOG INC. OR MOOG INC. SUBSIDIARIES.

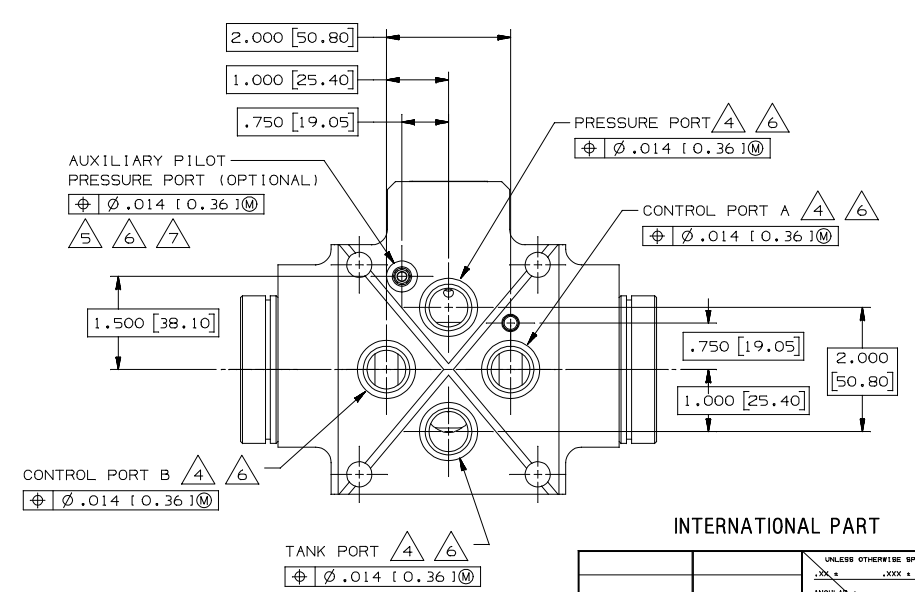
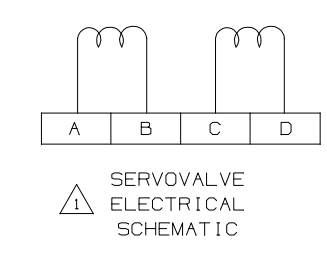
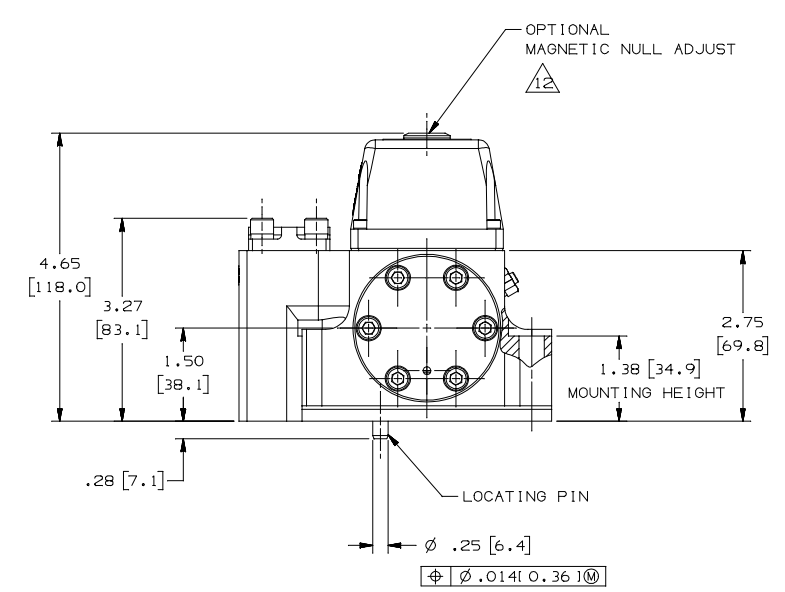
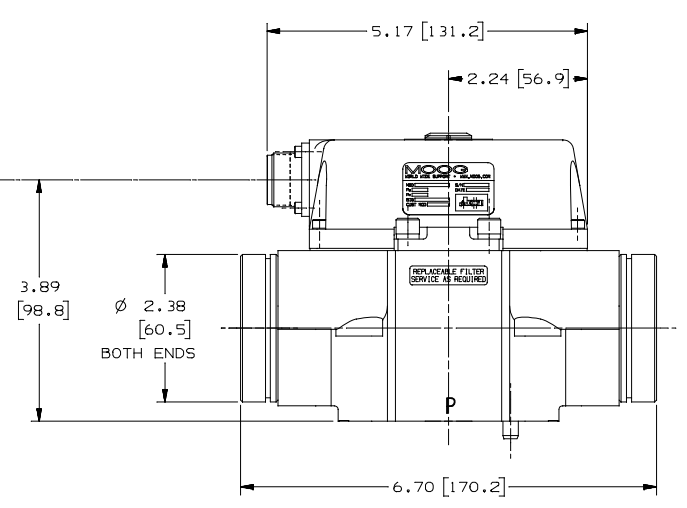
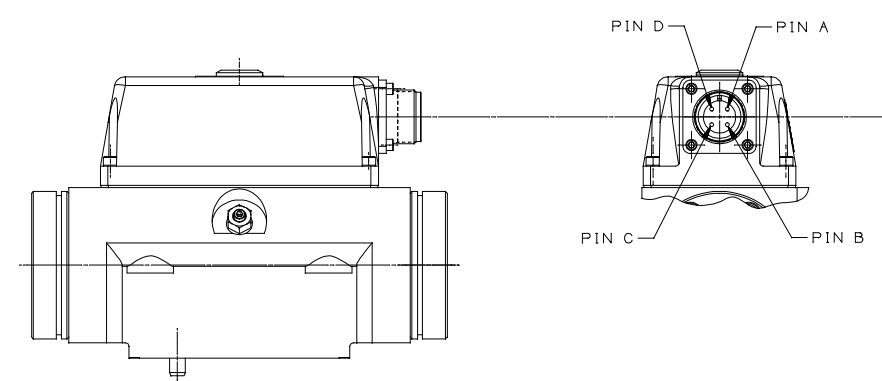
ZONE	REV	DESCRIPTION	DATE	APPROVED
-	UE1024205	RELEASED	20080928	LAW/DRK
A	SEE EO UE1028797	REORDERING IN NK	20090729	KJY/MEL
B	SEE EO UE1039614		20111025	KJY/MEL
C	SEE EO UE1063810		20170508	MJN/RJM

NOTES:

- 1 VALVE PHASING: FLOW OUT CONTROL PORT B WHEN:  
SINGLE COIL: A+, B-; OR C+, D-  
SERIES COILS: B & C TIED: A+, D-  
PARALLEL COILS: A & C TIED, B & D TIED: A & C+, B & D-
- 2 FLUID: PETROLEUM BASE HYDRAULIC FLUID, 60 TO 450 SUS @ 100°F (10 TO 97 CENTISTOKES @ 38°C) BUNA OR VITON SEALS. FLUID CLEANLINESS LEVEL PER ISO 4406 (SAE J 1165) CODE 16/13 MAXIMUM.
- 3 OPERATING TEMPERATURE RANGE: 50°C MAX (FLUID TEMP RANGE: -29°C TO +135°C).
- 4 P, T, A & B: .625 [15.88] DIA CBORED NOMINALLY .750 [19.05] ID X .937 [23.80] OD X .055 [1.40] DEEP.
- 5 AUXILIARY PILOT PRESSURE PORT: .250-28 UNF-28 THD, CBORE .498 [12.65] DIA X .055 [1.40] DEEP.
- 6 P, T, A & B ORINGS: .070 [1.78] SECTION X .801 [20.35] ID. (UNIVERSAL SIZE -019)  
AUXILIARY PORT O-RING: .070 [1.78] SECTION X .364 [9.25] ID. (UNIVERSAL SIZE-012)
- 7 VALVES ARE SUPPLIED WITH PROVISIONS FOR EITHER INTERNAL OR EXTERNAL PORTING OF FIRST STAGE PILOT PRESSURE PORT.
- 8 SURFACE TO WHICH VALVE IS MOUNTED REQUIRES  $\sqrt{1.6163}$  FINISH,  $\square .0015 [0.038]$ .
- 9 ELECTRICAL CONNECTOR MATES WITH MOOG P/N -49054F0145002S (MS3106F14S-2S) OR EQUIVALENT.
- 10 DIMENSIONS WITHOUT TOLERANCE ARE FOR REFERENCE ONLY. DIMENSIONS IN BRACKETS ( ) ARE IN MILLIMETERS.
- 11 SUGGESTED MOUNTING SCREWS: 3/8-16 UNC X 2.00 LONG. [M10 X 50] SOC HD CAP SCREW.
- 12 ROTATION OF NULL ADJUST CAUSES VARIATION OF FLOW FROM A GIVEN CONTROL PORT AT A GIVEN INPUT CURRENT.



OPTIONAL CONNECTOR ORIENTATION OVER CONTROL PORT A



INTERNATIONAL PART

CA79668		INSTALLATION, -072 SERIES		BALLOON NO.
QTY REQD	PART OR IDENTIFYING NO.	NOMENCLATURE OR DESCRIPTION		
		PARTS LIST		
INTERPRET DRAWING PER MIL-STD-100 DIMENSIONING AND TOLERANCING PER ASME Y14.5M-1994		CONTRACT NO.		
MATERIAL		PREPARED L. WENDEL 20080923	MOOG INC. MOOD INC., EAST AURORA, NY 14052	
		CHECKED DKHL 20080923	TITLE	
		DRW ENGR	INSTALLATION, -072 SERIES, MAGNETIC NULL ADJUST	
		DES ENGR	SIZE	
		PRD ENGR	E 94697	
		APL ENGR	DWG NO. CA79668	
		MFG	SCALE 1/1	
		QUAL	SHEET 1 OF 1	