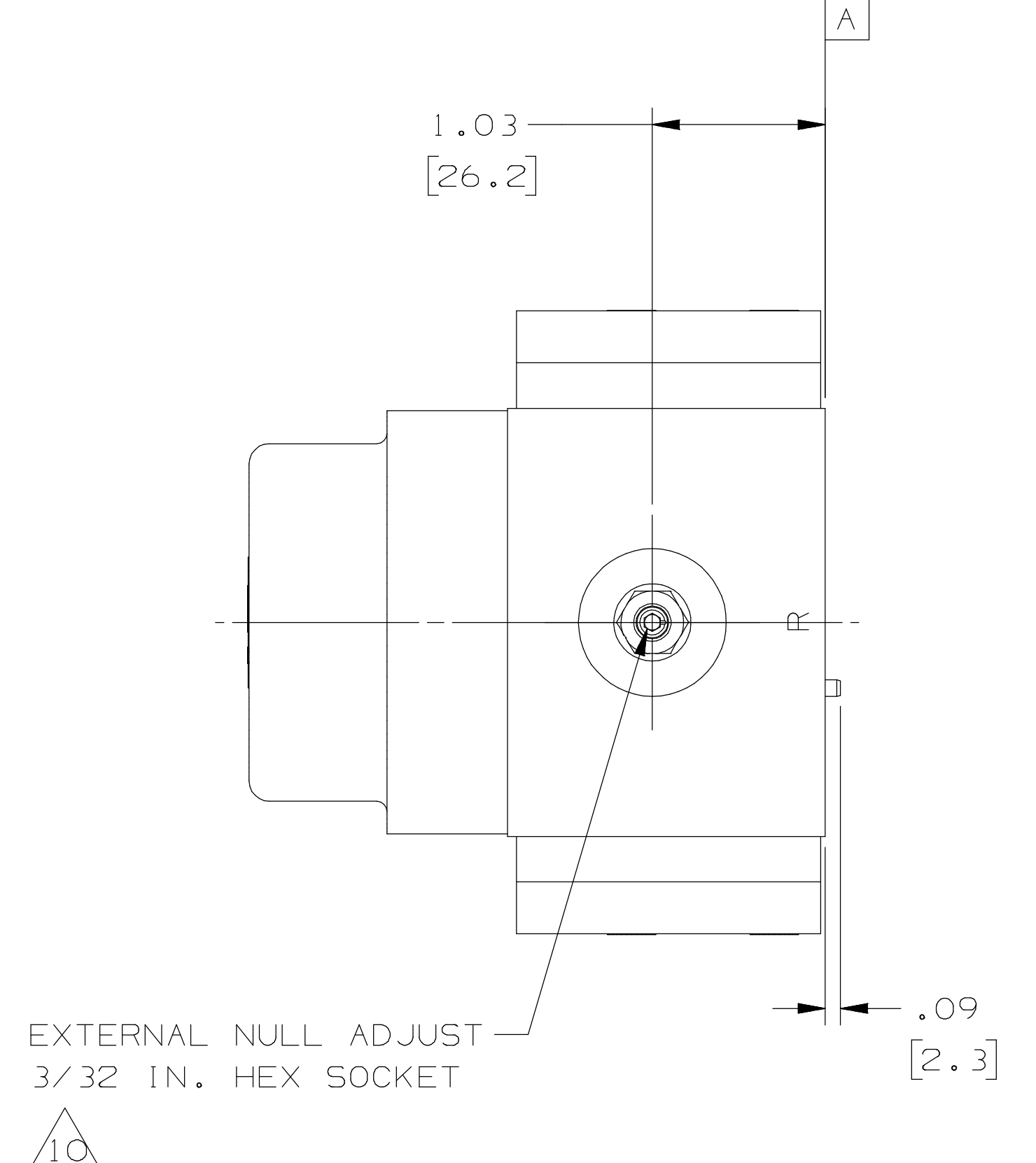
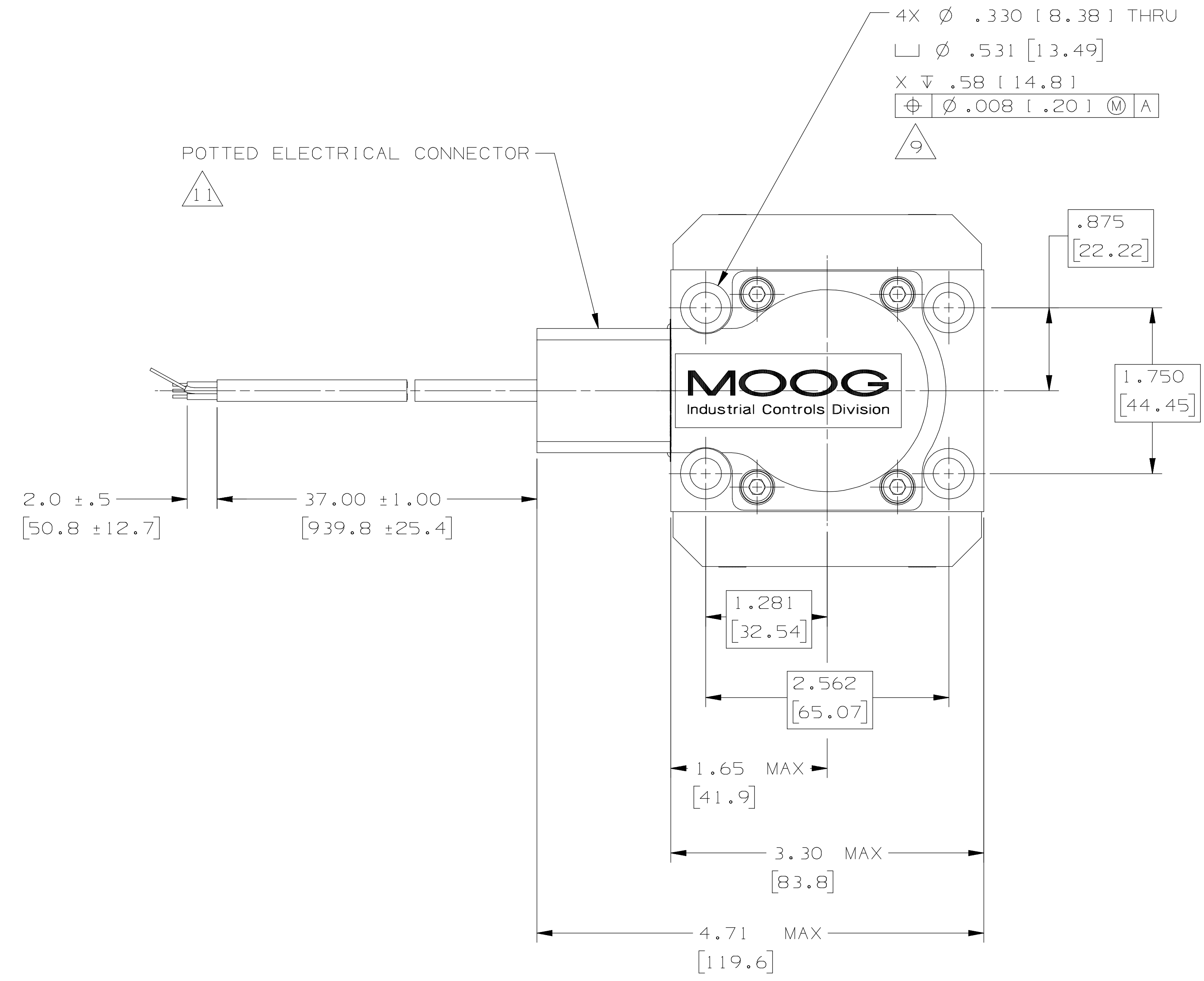
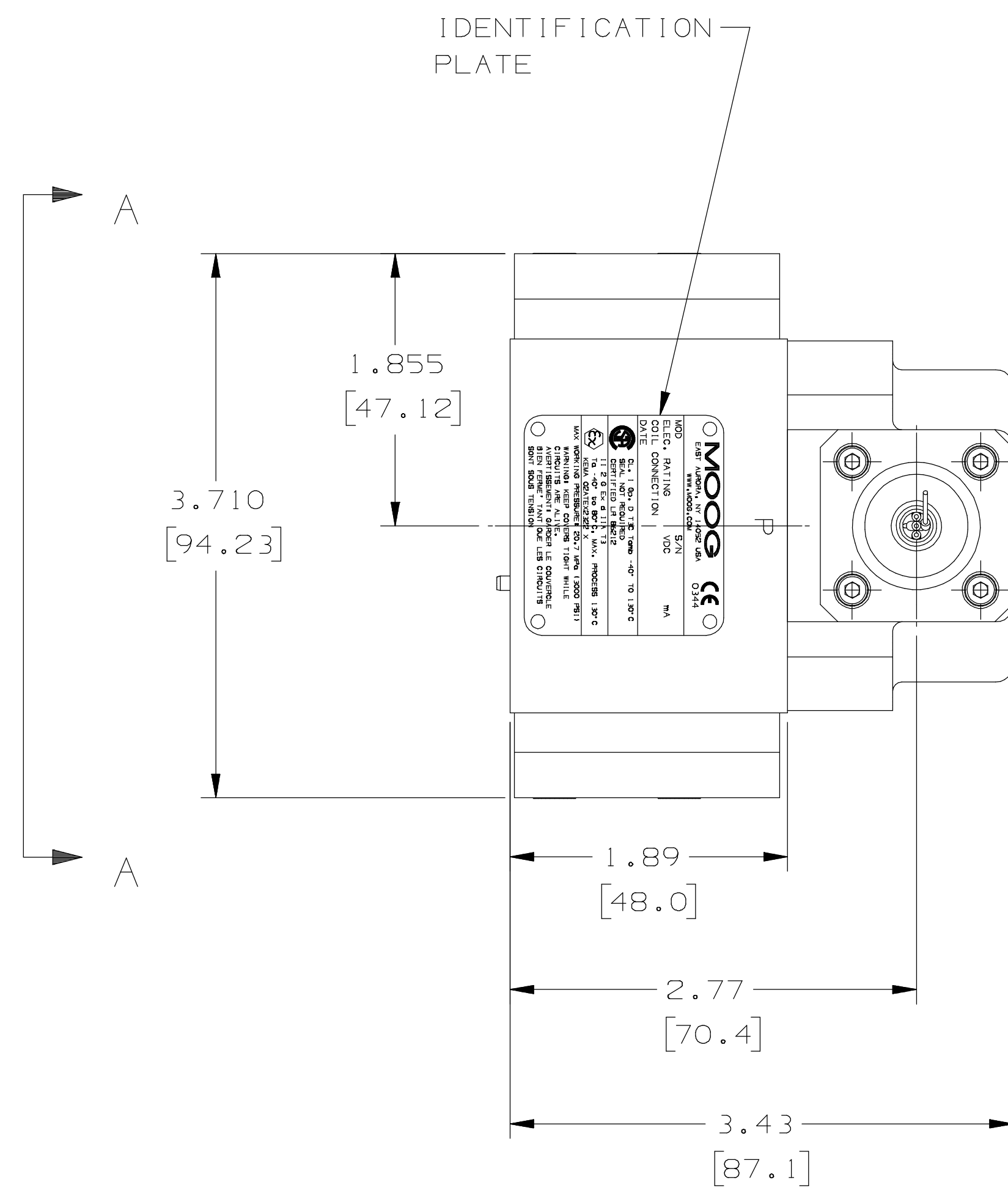
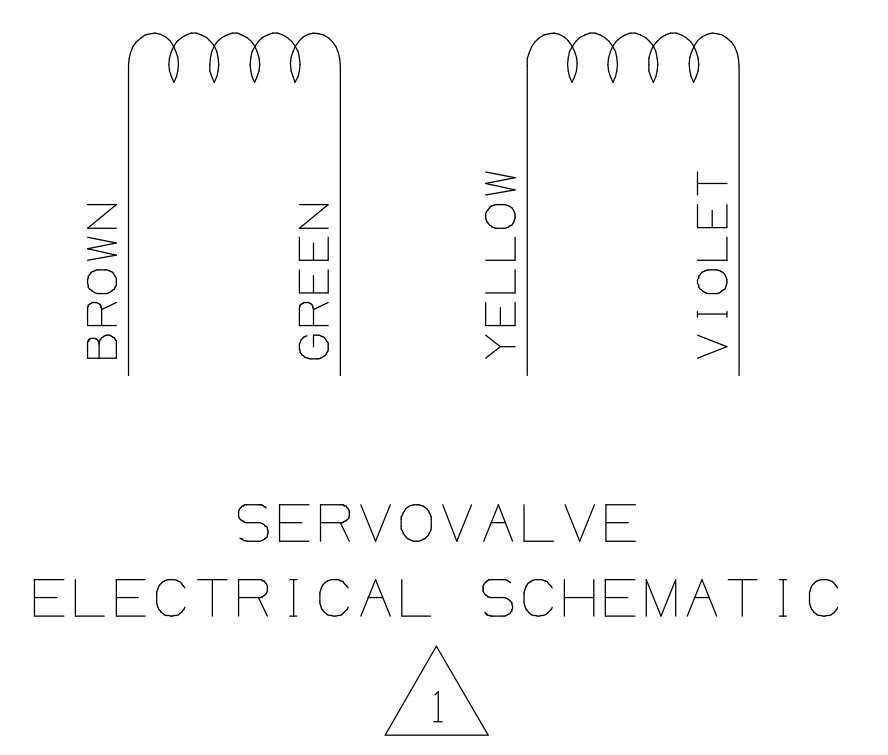
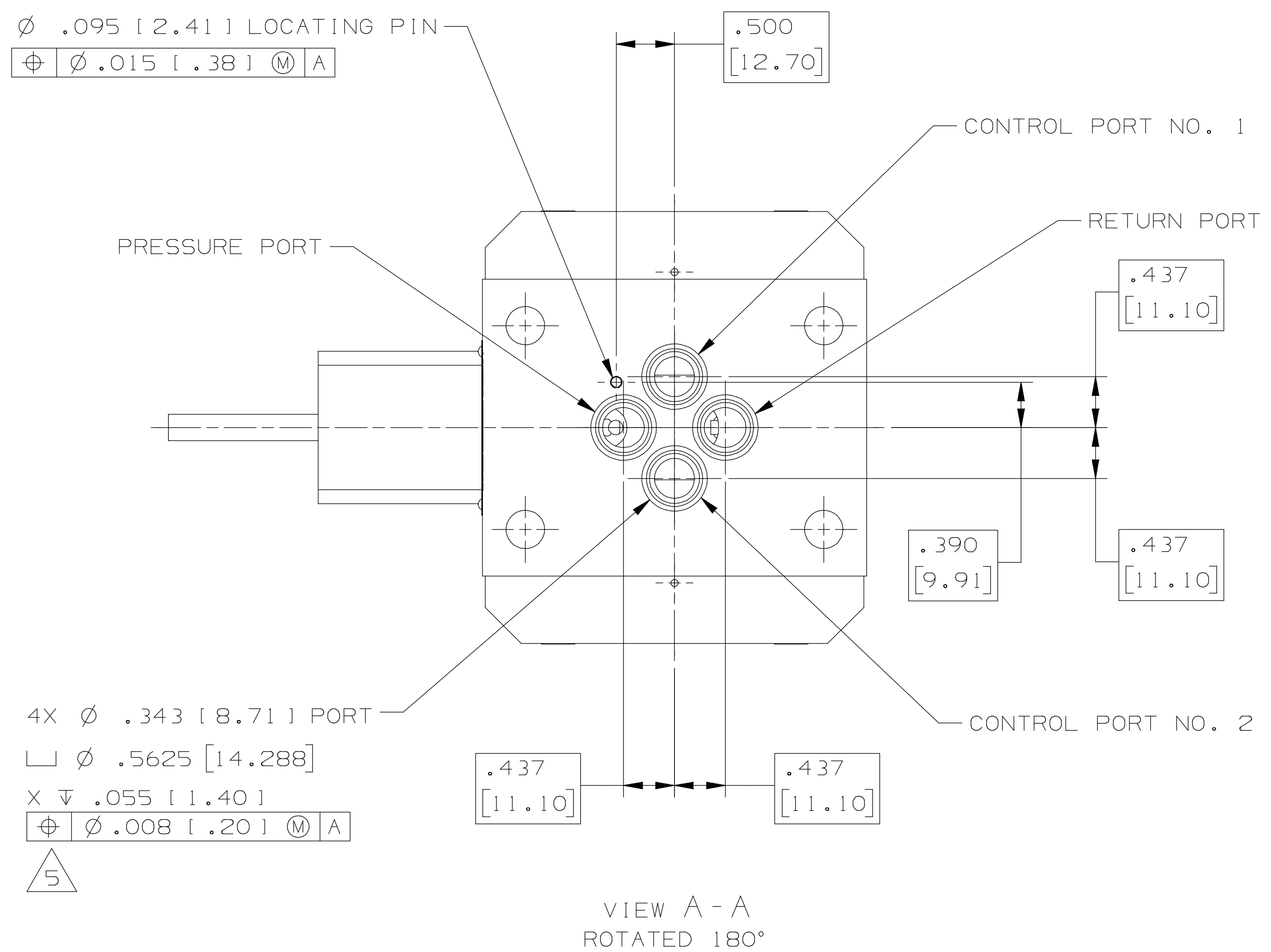


THIS TECHNICAL DATA/DRAWING/DOCUMENT CONTAINS INFORMATION THAT IS PROPRIETARY TO, AND IS THE EXPRESS PROPERTY OF MOOG INC. OR MOOG INC. SUBSIDIARIES EXCEPT AS EXPRESSLY GRANTED BY CONTRACT OR BY OPERATION OF LAW AND IS RESTRICTED TO USE BY ONLY MOOG EMPLOYEES AND OTHER PERSONS AUTHORIZED IN WRITING BY MOOG OR AS EXPRESSLY GRANTED BY CONTRACT OR BY OPERATION OF LAW. NO PORTION OF THIS DATA/DRAWING/DOCUMENT SHALL BE REPRODUCED OR DISCLOSED OR COPIED OR FURNISHED IN WHOLE OR IN PART TO OTHERS OR USED BY OTHERS FOR ANY PURPOSE WHATSOEVER EXCEPT AS SPECIFICALLY AUTHORIZED IN WRITING BY MOOG INC. OR MOOG INC. SUBSIDIARY.

| REVISIONS |     |   |          |          |
|-----------|-----|---|----------|----------|
| ZONE      | REV | DESCRIPTION                                 | DATE     | APPROVED |
|           | B   | SEE EO UE1032593: REDRAWN IN NX WITH CHANGE | 20100630 | MJN/MEL  |

- NOTES:
- SERVOVALVE PHASING:** FLOW OUT PORT 2 WILL RESULT WHEN:  
SINGLE COIL: BROWN +, GREEN -, OR YELLOW +, VIOLET -  
SERIES COILS: GREEN AND YELLOW ARE TIED, BROWN +, VIOLET -  
PARALLEL COILS: BROWN AND YELLOW TIED +, GREEN AND VIOLET TIED -.
  - FLUID:** PETROLEUM BASE SELECTED PHOSPHATE ESTOR HYDRAULIC FLUID.  
VISCOSITY: 60 TO 450 SUS AT 100°F (10 TO 97 CENTISTOKES AT 38°C).
  - FLUID CLEANLINESS LEVEL PER ISO4406 (SAE-J1165) CODE 16/13 MAXIMUM.**
  - OPERATING TEMPERATURE RANGE:**  
AMBIENT: -40°F TO +176°F (-40°C TO +80°C).  
PROCESS: -40°F TO +266°F (-40°C TO +130°C).
  - FOUR PORT O-RINGS:** .426 [18.77] I.D. X .070 [1.78] CROSS SECTION (UNIVERSAL SIZE -013).
  - SURFACE TO WHICH VALVE MOUNTS REQUIRES  $\sqrt{32}$  FINISH, FLAT WITHIN .002 [0.051].
  - DIMENSIONS WITHOUT TOLERANCE ARE FOR REFERENCE ONLY.
  - DIMENSIONS IN BRACKETS [ ] ARE IN MILLIMETERS.
  - SUGGESTED MOUNTING SCREWS:** .312-18 X 2.00L [M8.0 X 50L] SOCKET HEAD CAP SCREWS.
  - FLOW OUT C2 PORT:** INCREASE WITH CLOCKWISE ROTATION OF NULL ADJUST SCREW (3/32 IN. HEX KEY).
  - ELECTRICAL CONNECTOR MACHINED WITH 1/2-14 NPT FEMALE THREAD FOR CONDUIT CONNECTION.**



INTERNATIONAL PART

|   |  |                             |  |   |  |          |  |
|---|--|-----------------------------|--|---|--|----------|--|
| QTY REGD  |  | G1665                       |  | INSTALLATION, 760 SERIES, EXPLOSION PROOF |  | FIND NO. |  |
| PART OR IDENTIFYING NO.                                     |  | NOMENCLATURE OR DESCRIPTION |  |   |  |          |  |
| PARTS LIST  |  |                             |  |   |  |          |  |
| MOOG INC.   |  |                             |  |   |  |          |  |
| CONTRACT NO. MOOG INC., EAST AURORA, NY 14052               |  |                             |  |   |  |          |  |
| TITLE: INSTALLATION, SERVOVALVE, 760 SERIES EXPLOSION PROOF |  |                             |  |   |  |          |  |
| SIZE: G1665   |  |                             |  |   |  |          |  |
| SCALE: NONE   |  |                             |  |   |  |          |  |
| SHEET   |  |                             |  |   |  |          |  |