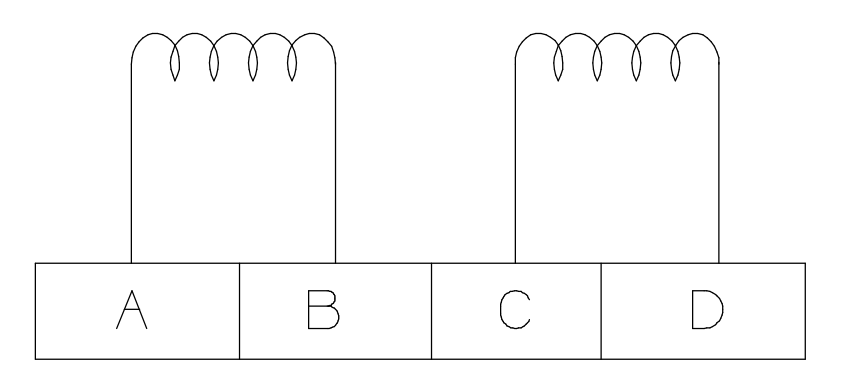


THIS TECHNICAL DATA/DRAWING/DOCUMENT CONTAINS MOOG PROPRIETARY AND CONFIDENTIAL INFORMATION. MOOG PROPRIETARY AND CONFIDENTIAL INFORMATION THAT IS THE EXPRESS PROPERTY OF MOOG INC., OR MOOG INC. SUBSIDIARIES EXCEPT AS EXPRESSLY GRANTED BY CONTRACT OR BY OPERATION OF LAW AND IS RESTRICTED TO USE BY ONLY MOOG EMPLOYEES AND OTHER PERSONS AUTHORIZED IN WRITING BY MOOG OR AS EXPRESSLY GRANTED BY CONTRACT OR BY OPERATION OF LAW. NO PORTION OF THIS DATA/DRAWING/DOCUMENT SHALL BE REPRODUCED OR DISCLOSED OR COPIED OR FURNISHED IN WHOLE OR IN PART TO OTHERS OR USED BY OTHERS FOR ANY PURPOSE WHATSOEVER EXCEPT AS SPECIFICALLY AUTHORIZED IN WRITING BY MOOG INC., OR MOOG INC., SUBSIDIARY.

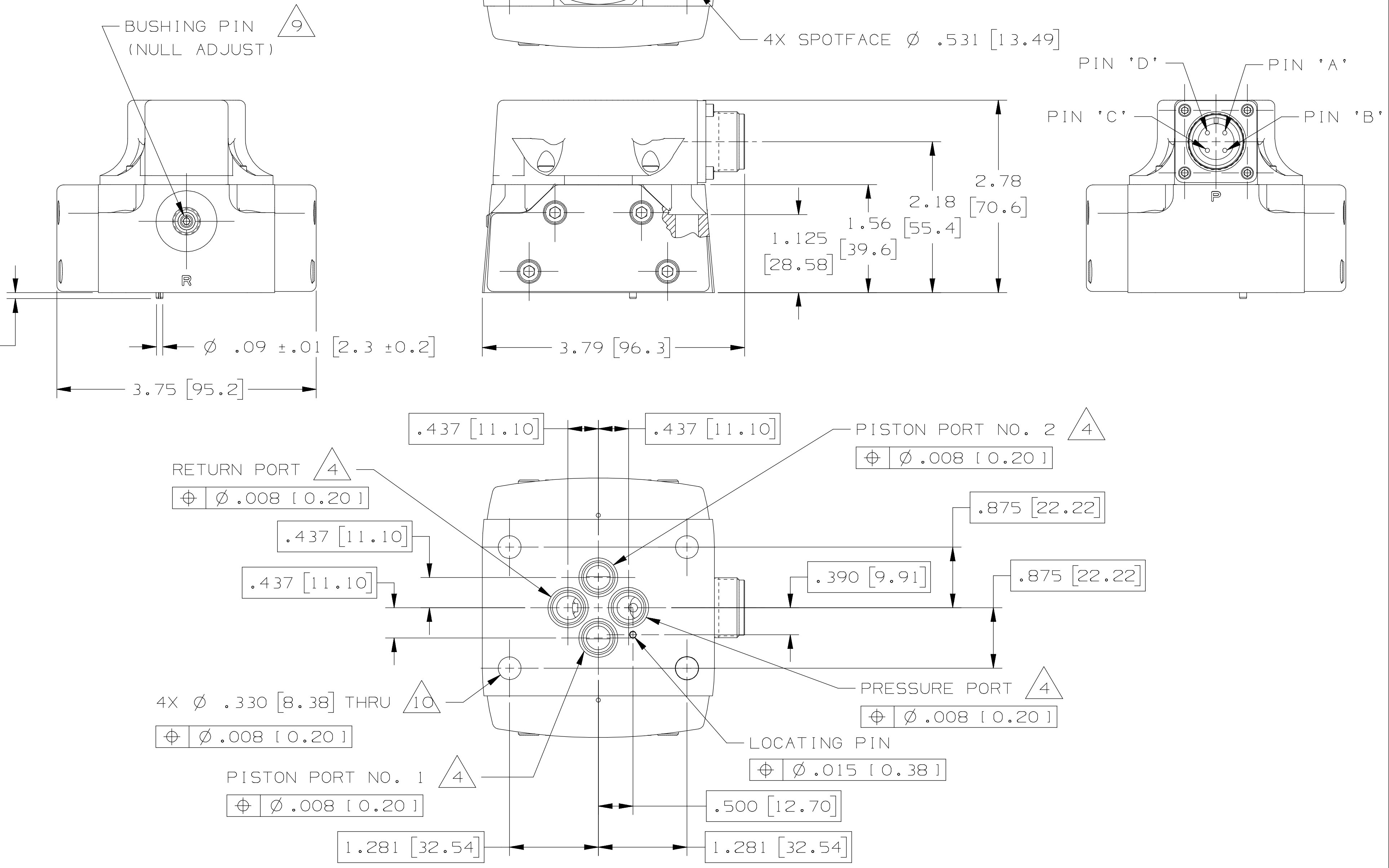
DWG. NO. A37854		REV. 1	
REVISIONS			
ZONE	REV	DESCRIPTION	DATE
	A	SEE EO UE1033647	20100910
			APPROVED KJY/MWB

NOTES:

1. FLUID: INDUSTRIAL TYPE PERTOLEUM BASE HYDRAULIC FLUID, 10 MICRON (25 ABSOLUTE) FILTRATION REQUIRED.
2. OPERATING TEMP RANGE: -65°F [-54°C] TO +275°F [+135°C].
3. VALVE PHASING: FLOW OUT OF PORT NO. 2 WILL RESULT WHEN:
SERIES OPERATION: B & C TIED, A PLUS, D MINUS
PUSH-PULL OPERATION: B & C PLUS, A & D MINUS,
CURRENT C-D > B-A.
4. PORTS: .343 [8.71] DIA, CBORED NOMINALLY .560 [14.22] O.D. X .055 [1.40] DEEP.
5. 4 PORT O-RINGS ARE .070 [1.78] SECT X .426 [10.82] I.D. HAVING COMPATIBLE O-RING COMPOUND. (REF. UNIVERSAL SIZE -O13).
6. SURFACE TO WHICH VALVE IS MOUNTED REQUIRES $\sqrt{1.6}$ 32/ FINISH, FLAT WITHIN .001 [0.025].
7. DIMENSIONS WITHOUT TOLERANCE ARE FOR REFERENCE ONLY.
8. ELECTRICAL CONNECTOR MATES WITH MS3106A14S2S. OR EQUIVALENT.
9. NULL ADJUST: FLOW OUT PORT NO. 2 IS OBTAINED WITH .09 ± .03 [2.3 ± 0.7] CLOCKWISE ROTATION OF NULL ADJUST PIN.
10. SUGGESTED MOUNTING SCREWS: .312-18 X 1.750 LG. [M8 X 45] SOCKET HEAD SCREW - 4 REQUIRED.
11. DIMENSIONS IN BRACKETS ARE IN MILLIMETERS.



ELECTRICAL SCHEMATIC 3



INTERNATIONAL PART

760 SERIES		INSTALLATION, 760 SERIES	
QTY RECD	PART OR IDENTIFYING NO.	NOMENCLATURE OR DESCRIPTION	BALLOON NO.
PARTS LIST			
UNLESS OTHERWISE SPECIFIED XX ± .01 XXX ± .005 ANGULAR ± 0° 30' FILLETS .015 RAD EDGES .010 RAD OR CHAM SURFACE ROUGHNESS PER ANSI Y14.36 & B46.1 125√ CONCENTRIC DIAMETERS: $\sqrt{1.008}$ DRILL POINTS: 115° - 140° ALL DIMENSIONS ARE IN INCHES PART TO BE FREE OF BURRS		INTERPRET DRAWING PER MIL-STD-100 DIMENSIONING AND TOLERANCING PER ASME Y14.5M-1994	CONTRACT NO.
LAST SECTION/DATUM		PREPARED MIKE WANTUCK 5/8/80	
THIRD ANGLE PROJECTION		CHECKED AMV 5/30/80	
NEXT ASSEMBLY		ENGR DGH/RPW 6/5/80	
USED ON		MFG TS 6/10/80	
		QUAL TJS 6/9/80	
		APPROVAL JS	
		MOOG INC. MOOG INC., EAST AURORA, NY 14052	
		TITLE INSTALLATION, 760 SERIES, 4 PORT	
		SIZE CAGE CODE DWG NO. D 94697 A37854	
		SCALE 1/1 WT SHEET	