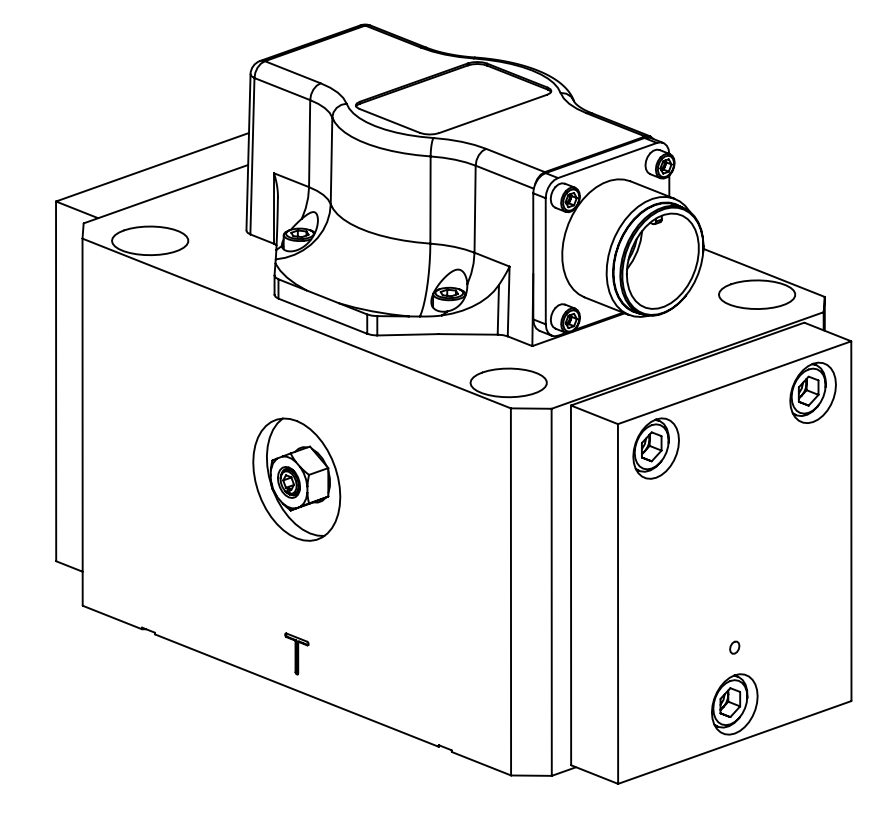
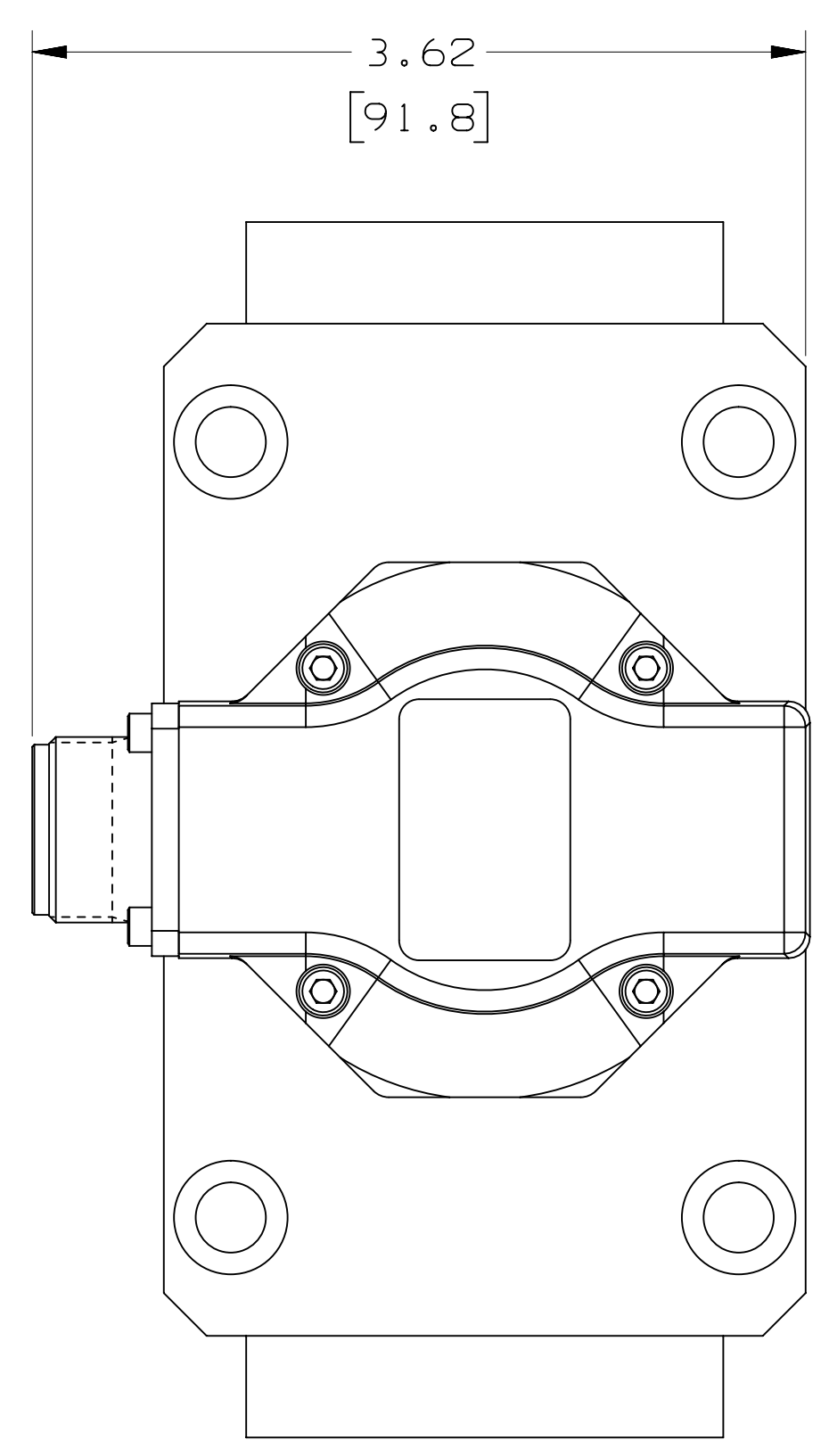
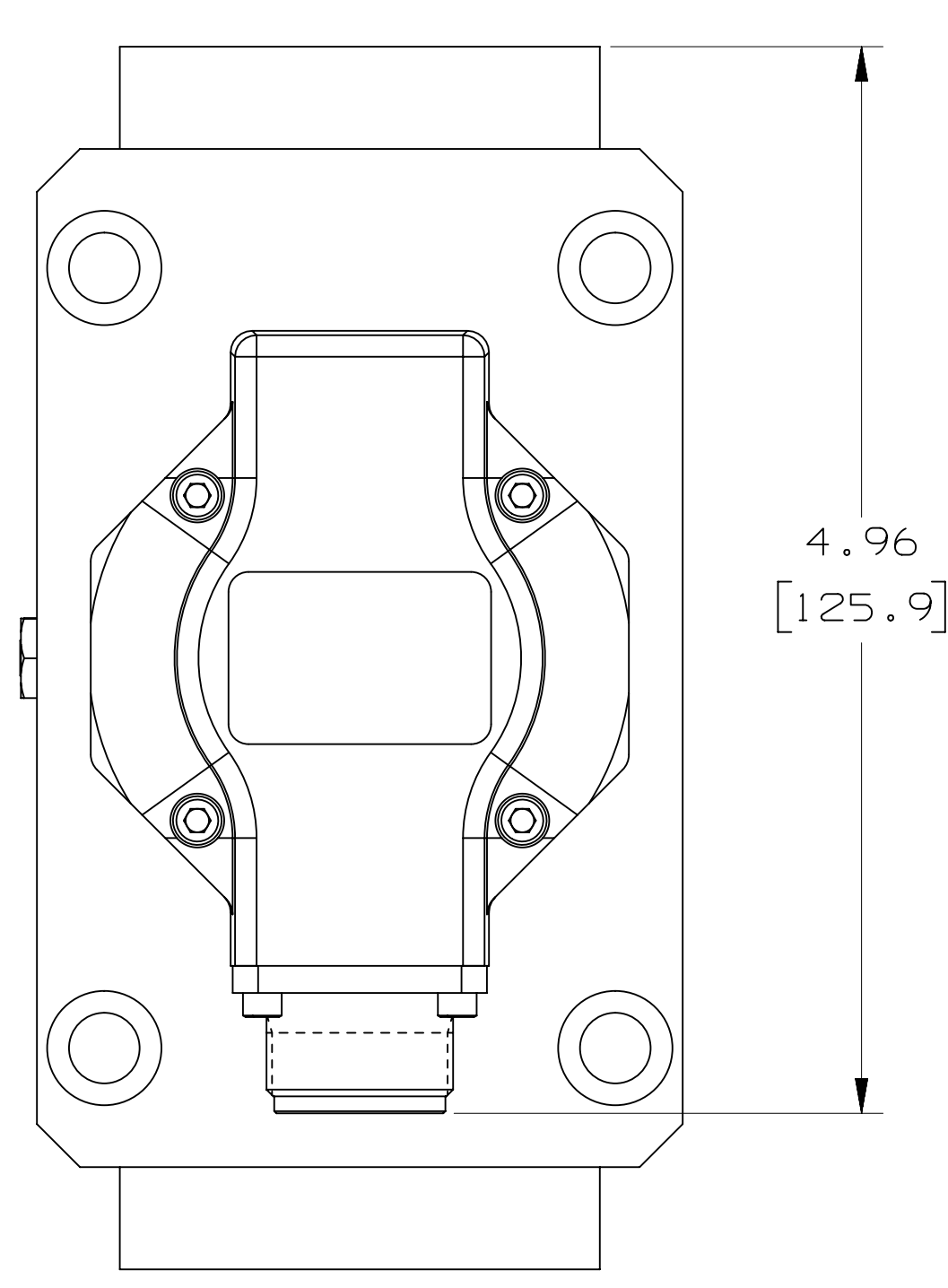
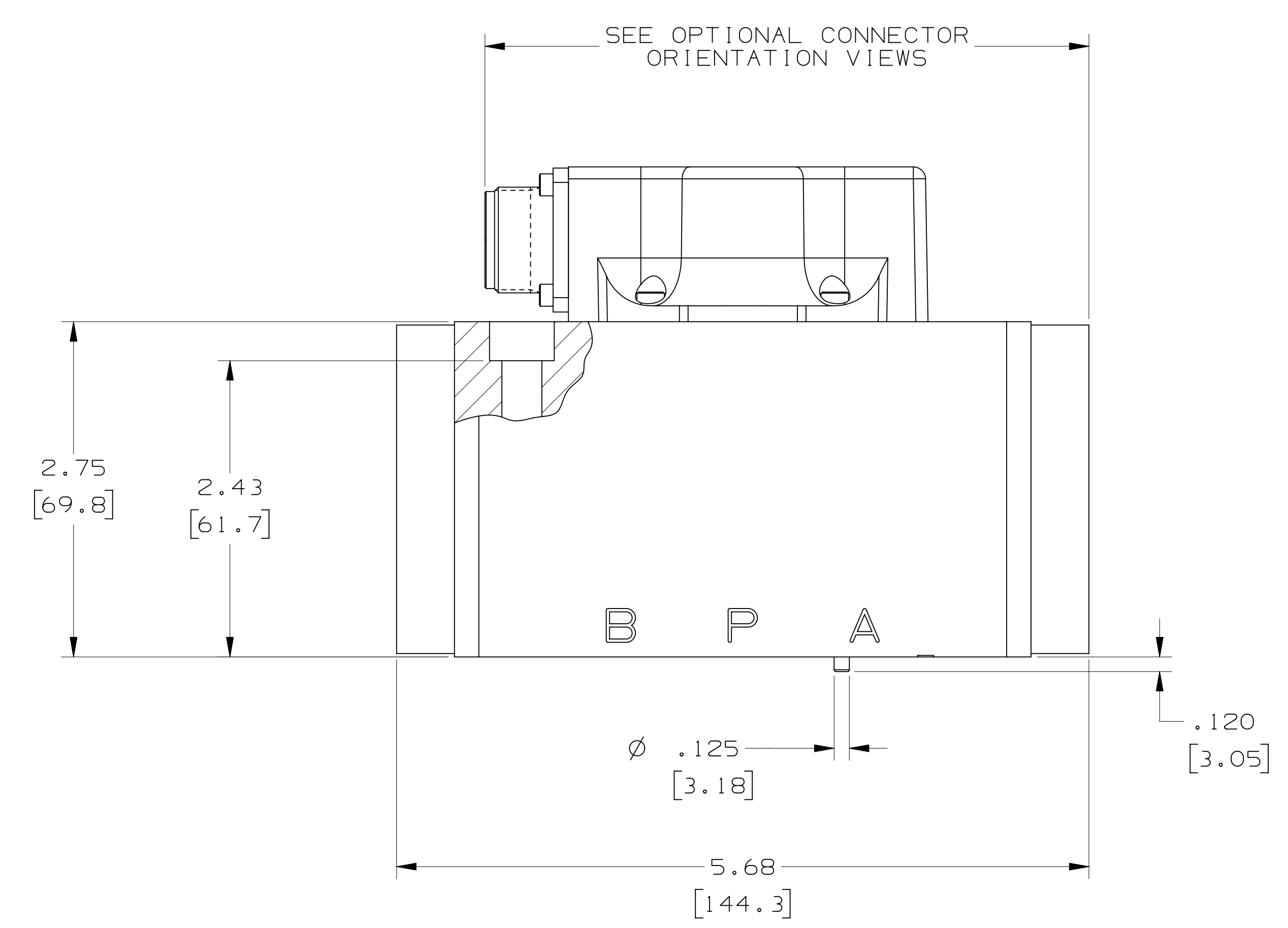
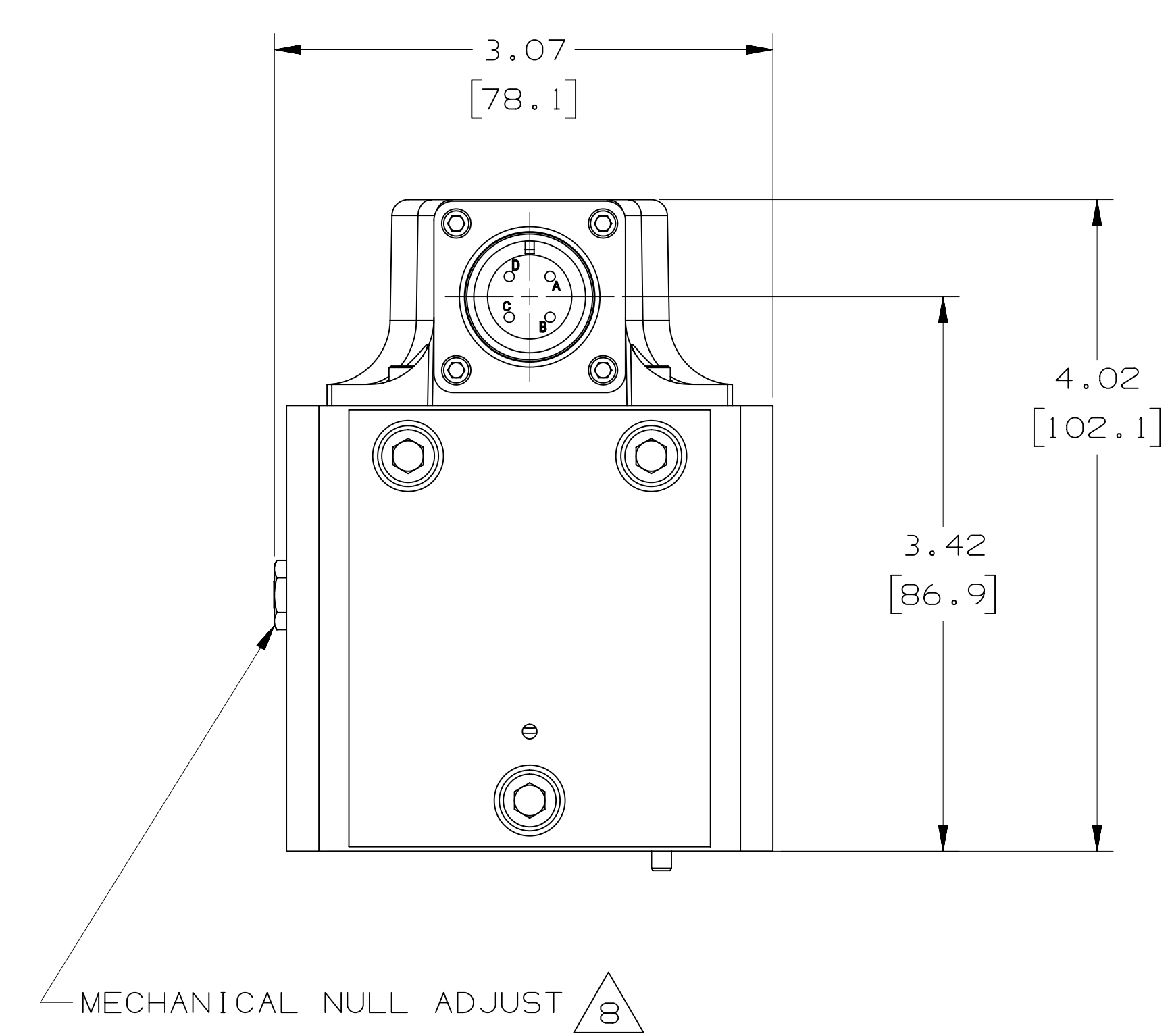
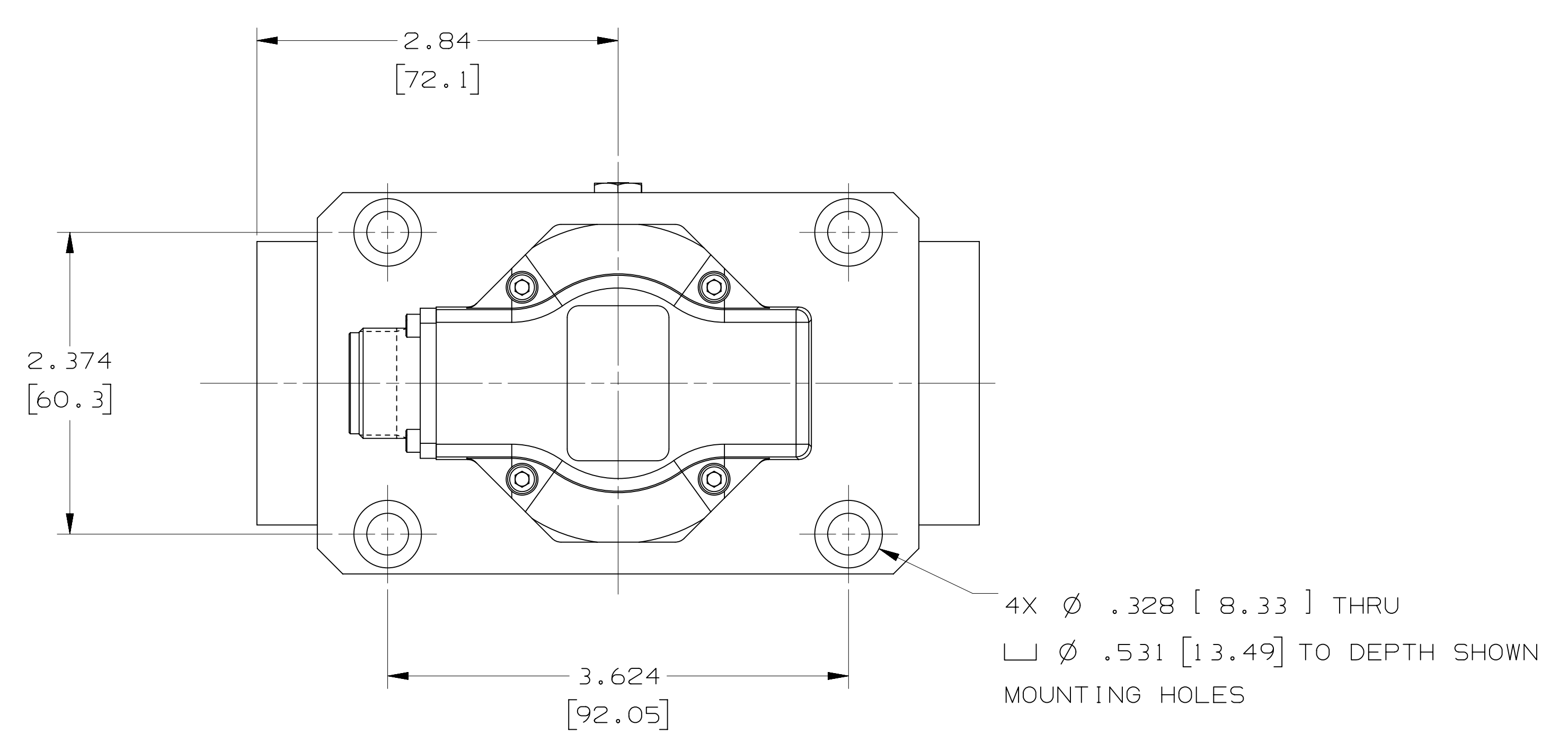


THIS TECHNICAL DATA/FORMING DOCUMENT CONTAINS MOOG PROPRIETARY AND CONFIDENTIAL INFORMATION. SUBSIDIARIES EXCEPT AS EXPRESSLY GRANTED BY CONTRACT OR BY OPERATION OF LAW AND IS RESTRICTED TO USE BY ONLY MOOG EMPLOYEES AND OTHER PERSONS AUTHORIZED IN WRITING BY MOOG OR AS EXPRESSLY GRANTED BY CONTRACT OR BY OPERATION OF LAW. NO PORTION OF THIS DATA/FORMING DOCUMENT WILL BE REPRODUCED OR DISCLOSED OR COPIED OR FURNISHED IN WHOLE OR IN PART TO OTHERS OR USED BY OTHERS FOR ANY PURPOSE WHATSOEVER EXCEPT AS SPECIFICALLY AUTHORIZED IN WRITING BY MOOG INC. OR MOOG INC. SUBSIDIARY.

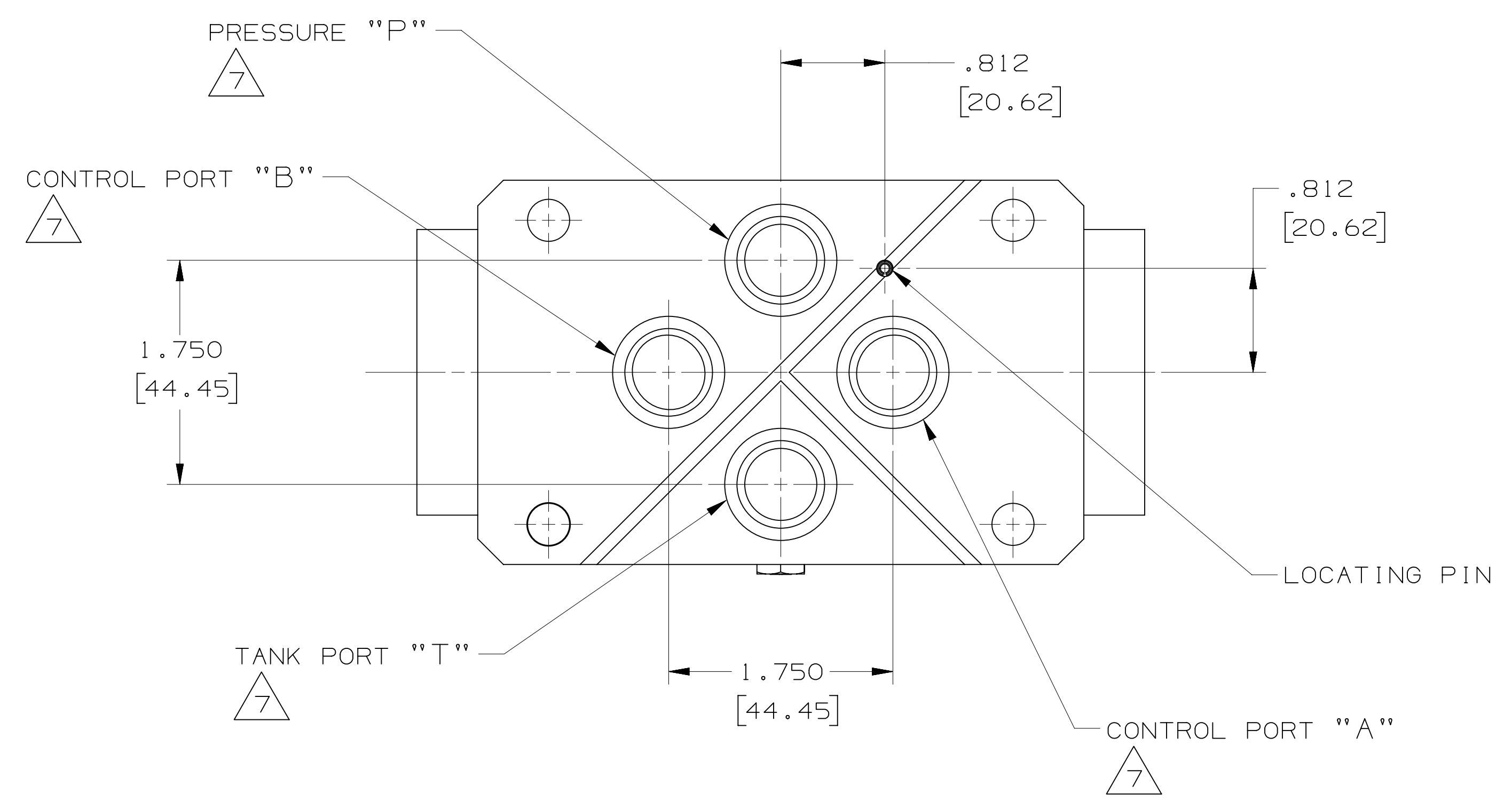
THIS DOCUMENT CONTAINS TECHNOLOGY SUBJECT TO THE U.S. EXPORT ADMINISTRATION REGULATIONS (EAR) AND MAY NOT BE EXPORTED OR TRANSFERRED TO ANY UNLICENSED PERSON, COUNTRY, OR COMPANY, BY ANY MEANS, OR FOR END-USES REQUIRING A LICENSE, WITHOUT PRIOR WRITTEN APPROVAL FROM THE U.S. DEPARTMENT OF COMMERCE, BUREAU OF INDUSTRY AND SECURITY (BIS). DIVERSION CONTRARY TO U.S. LAW IS PROHIBITED.

ZONE		REV	DESCRIPTION	DATE	APPROVED
-		UE1065053	RELEASE	20171201	MJN/MEL/RJM

- NOTES:
- FLUID:
TYPE: DEPENDENT ON SEAL MATERIAL: SEE TYPE CODE POSITION "8" ON SHEET 2.
RECOMMENDED VISCOSITY RANGE AT 38°C (100°F): 10 TO 97 mm²/s (cSt).
CLEANLINESS LEVEL PER ISO 4406:
NORMAL LIFE: 17/14/11
LONG LIFE: 15/13/10
 - STANDARD TEMPERATURE RANGE: -40°F TO +275°F (-40°C TO +135°C).
 - MAXIMUM OPERATING PRESSURE: SEE TYPE CODE POSITION "3" ON SHEET 2.
 - STANDARD POLARITY OPERATION: (REFERENCE ELECTRICAL SCHEMATIC ON SHEET 2)
FLOW OUT PORT "B" WILL RESULT WHEN:
PARALLEL: A & C TIED +, B & D TIED -
 - ELECTRICAL CONNECTOR: SEE TYPE CODE POSITION "9" ON SHEET 2.
 - DIMENSIONS ARE FOR REFERENCE ONLY.
DIMENSIONS IN BRACKETS () ARE IN MILLIMETERS.
 - PORTS P,T,A,B:
□ ∅ .875 [22.23] √ .052 [1.32].
O-RINGS: .739 [18.77] I.D. X .070 [1.78] CROSS SECTION (UNIVERSAL SIZE -018).
 - FOR ADDITIONAL INFORMATION/INSTRUCTION REFER TO:
"78 SERIES INSTALLATION AND OPERATION INSTRUCTION" (CDS6569),
AVAILABLE ON www.moog.com/installation.
 - SURFACE TO WHICH VALVE IS MOUNTED REQUIRES $\sqrt[32]{0.8}$, $\square .002$ [0.05].
 - SUGGESTED MOUNTING SCREWS: .312-18 X 3.000 LONG (M8 X 75 LONG) SOCKET HEAD CAP SCREWS.
 - FOR ACCESSORIES AND SPARE PARTS SEE 78 SERIES CATALOG (CDL6272) AVAILABLE ON www.moog.com.



REFERENCE VIEW
SCALE: 3/4



CONNECTOR ORIENTATION OVER CONTROL PORT "B"
OPTIONAL CONNECTOR ORIENTATION OVER CONTROL PORT "A" (180°) WOULD YIELD THE SAME DIMENSIONS
SEE TYPE CODE POSITION "9" ON SHEET 2

CONNECTOR ORIENTATION OVER TANK PORT "T"
OPTIONAL CONNECTOR ORIENTATION OVER PRESSURE PORT "P" (180°) WOULD YIELD THE SAME DIMENSIONS
SEE TYPE CODE POSITION "9" ON SHEET 2

INTERNATIONAL PART

LAST SECTION/DATUM	THIRD ANGLE PROJECTION	NEXT ASSEMBLY	USED ON	UNLESS OTHERWISE SPECIFIED: DIMENSIONS: .01 .xxx ± .005 ANGLES: 0° 30' FILLETS: .015 EDGES: .010 SURFACE FINISH: 125 CONCENTRIC DIAMETERS: [1.00] DRAUGHT POINTS: 1:50 ALL DIMENSIONS ARE IN INCHES PART TO BE FREE OF BURRS	INTERPRET DRAWING PER MIL-STD-100 DIMENSIONING AND TOLERANCING PER ASME Y14.5M-1994	CONTRACT NO.	MOOG INC.
						PREPARED M. NEUREUTHER 20171115 CHECKED R. MILITTO 20171129 MGR ENGR DES ENGR M. LUDLOW 20171121 PRD ENGR R. MILITTO 20171129 APL ENGR MFG QUAL	MOOG INC., EAST AURORA, NY 14052 TITLE: INSTALLATION, X078 & X078K SERIES, 4-PORT SIZE: E94697 SCALE: 5/4 DWG NO.: CC44555 SHEET 1 OF 2

CC44555

UNIGRAPHICS DATA BASE

TYPE CODE DESIGNATION - AS SHOWN ON NAMEPLATE OF SERVO VALVE.
(EXAMPLE: S11FOGM4VAL)

POSITION	1	2	3	4	5	6	7	8	9	10	11
CODE	S	1	1	F	O	G	M	4	V	A	L

POSITION "3" (PRESSURE RATINGS):

CODE	MAXIMUM DESIGN (OPERATING)			NORMAL TEST			PROOF		
	MPA	BAR	PSI	MPA	BAR	PSI	MPA	BAR	PSI
F (ALUMINUM BODY)	21.0	210	3000	21.0	210	3000	31.5	315	4500

POSITION "8" (SEAL MATERIAL):

CODE	MATERIAL
E	EDPM
V	FKM (VITON)

POSITION "9" (VALVE CONNECTOR, TYPE AND ORIENTATION OVER PORT):

CODE	TYPE	ORIENTATION	CONNECTION
A	4 PIN MS THREADED	CONNECTOR OVER PORT A (C1)	MS3106-14S-2S OR EQUIVALENT
B	4 PIN MS THREADED	CONNECTOR OVER PORT B (C2)	MS3106-14S-2S OR EQUIVALENT
P	4 PIN MS THREADED	CONNECTOR OVER PORT P	MS3106-14S-2S OR EQUIVALENT
T	4 PIN MS THREADED	CONNECTOR OVER PORT T	MS3106-14S-2S OR EQUIVALENT

POSITION "11" (SPECIAL VERSIONS):

CODE	VALVE VERSION
X	SPECIAL

