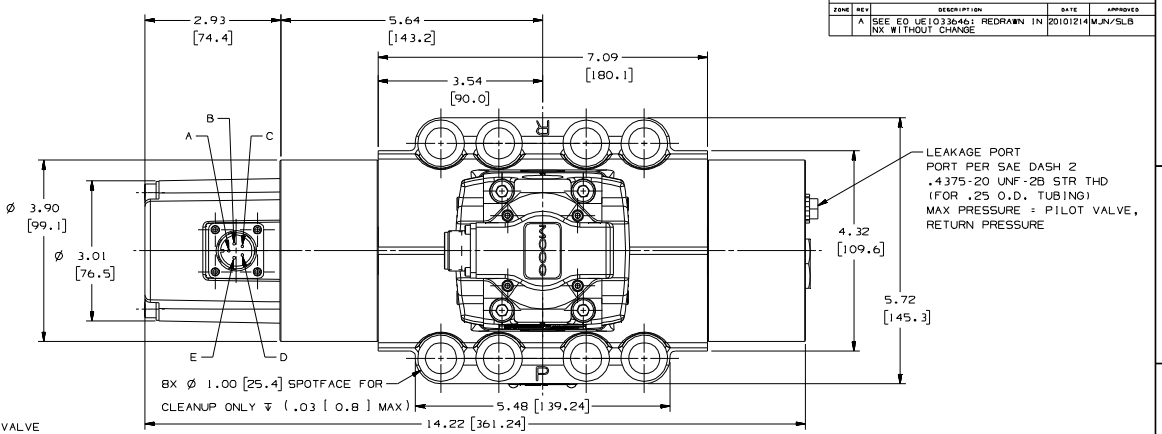


THIS DRAWING IS THE PROPERTY OF MOOG INCORPORATED. IT IS TO BE USED ONLY FOR THE PURPOSES SPECIFIED HEREON. IT IS TO BE KEPT IN CONFIDENTIALITY AND NOT TO BE REPRODUCED OR TRANSMITTED IN ANY FORM OR BY ANY MEANS, ELECTRONIC OR MECHANICAL, INCLUDING PHOTOCOPYING, RECORDING, OR BY ANY INFORMATION STORAGE AND RETRIEVAL SYSTEM, WITHOUT THE WRITTEN PERMISSION OF MOOG INCORPORATED. THIS DRAWING IS NOT TO BE USED FOR ANY OTHER PURPOSE WITHOUT THE WRITTEN PERMISSION OF MOOG INCORPORATED.

REV	DATE	APPROVED	DESCRIPTION
1	20101214	MJV/SLB	SEE ED UET0336461 REDRAWN IN M.JV/SLB NX WITHOUT CHANGE

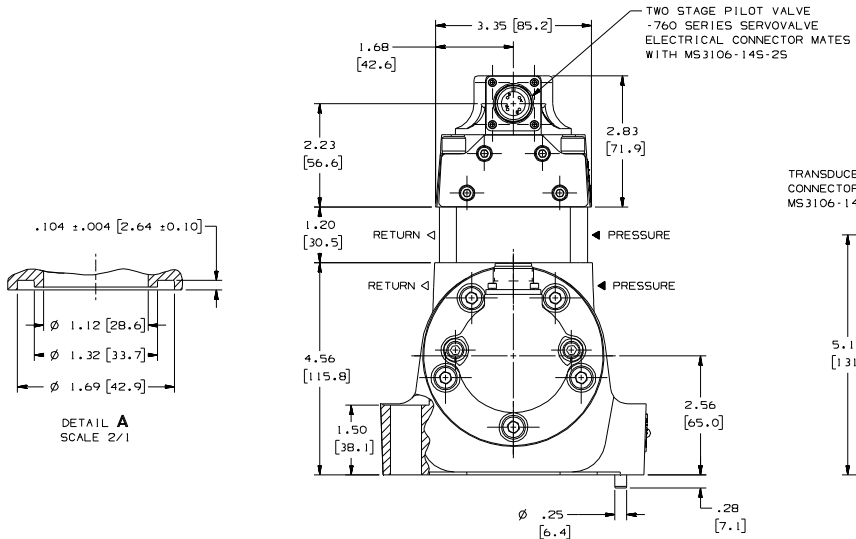
NOTES:

- OPERATING PRESSURE: 3000 PSI MAX.
 - PROOF PRESSURE: PRESSURE PORT (WITH RETURN OPEN): 4500 PSI ALL PORTS: 3000 PSI
 - FLUID: INDUSTRIAL TYPE PETROLEUM BASE HYDRAULIC FLUID, < 25 MICRON ABSOLUTE FILTRATION REQUIRED ON PILOT STAGE SUPPLY.
 - OPERATING TEMPERATURE: -10°C (+14°F) TO +80°C (+176°F).
 - PORT O-RINGS:
POWER STAGE (BASE): MOOG PART NUMBER -420B2-264 (MS28775-2211)
PILOT STAGE (BASE): MOOG PART NUMBER -420B2-022 (MS28775-013)
- △ BASE PORTS ARE PER DETAIL A.
- DIMENSIONS IN BRACKETS ARE IN MILLIMETERS.
 - FLOW RATING: 200 GPM AT 1000 PSI, ±.100 INCH SPOOL TRAVEL.
 - SPOOL TRAVEL: ±.13 INCHES TO MECHANICAL STOPS.
 - SURFACE TO WHICH VALVE IS MOUNTED REQUIRES $\sqrt{63}$ FINISH AND FLATNESS WITHIN .002 T.I.R.



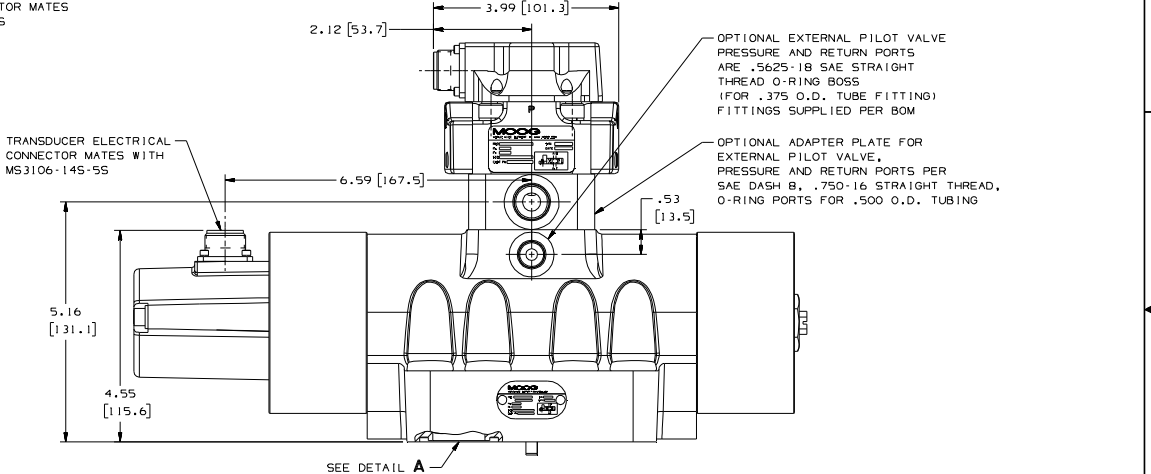
LEAKAGE PORT
PORT PER SAE DASH 2
.4375-20 UNF-2B STR THD
(FOR .375 O.D. TUBING)
MAX PRESSURE = PILOT VALVE,
RETURN PRESSURE

8X ϕ 1.00 [25.4] SPOTFACE FOR
CLEANUP ONLY ∇ (.03 [0.8] MAX)



TWO STAGE PILOT VALVE
-760 SERIES SERVOVALVE
ELECTRICAL CONNECTOR MATES
WITH MS3106-14S-25

DETAIL A
SCALE 2/1

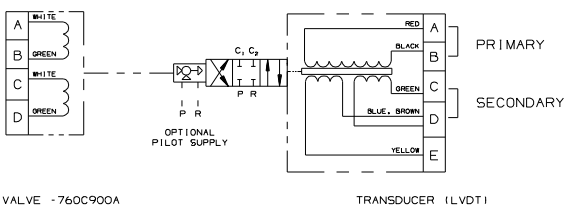


OPTIONAL EXTERNAL PILOT VALVE
PRESSURE AND RETURN PORTS
ARE .5625-18 SAE STRAIGHT
THREAD O-RING BOSS
(FOR .375 O.D. TUBE FITTING)
FITTINGS SUPPLIED PER BOM

OPTIONAL ADAPTER PLATE FOR
EXTERNAL PILOT VALVE,
PRESSURE AND RETURN PORTS PER
SAE DASH 8, .750-16 STRAIGHT THREAD,
O-RING PORTS FOR .500 O.D. TUBING

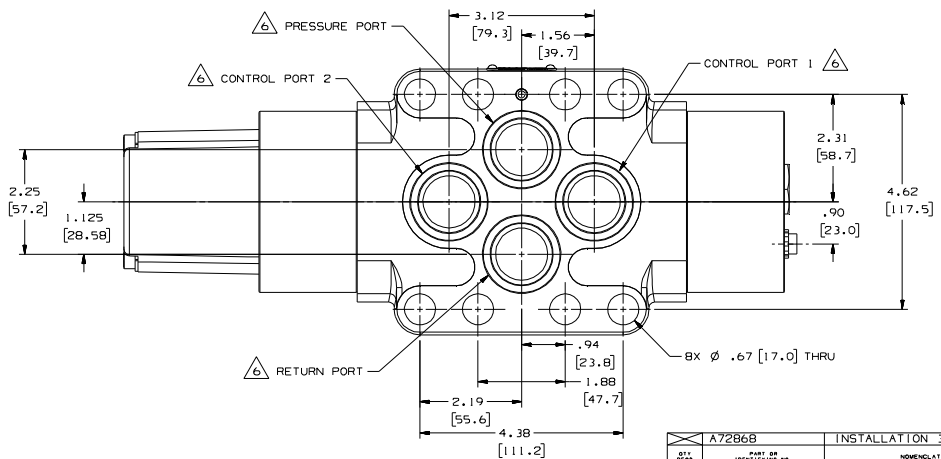
TRANSDUCER ELECTRICAL
CONNECTOR MATES WITH
MS3106-14S-55

SEE DETAIL A



PILOT VALVE -760C900A

TRANSDUCER (LVDT)



△ PRESSURE PORT
△ CONTROL PORT 2
△ CONTROL PORT 1
△ RETURN PORT

8X ϕ .67 [17.0] THRU

- NOTES: (PILOT VALVE)
- PHASING FLOW OUT C₂ WILL RESULT WHEN:
A. SERIES COILS: "B" & "C" INTERCONNECTED
"A" PLUS, "D" MINUS
B. PARALLEL COILS "A" & "C" PLUS
"B" & "D" MINUS
 - PILOT VALVE
A. COIL RESISTANCE: 80Ω
B. RATED CURRENT: 40MA PARALLEL SERIES 20MA
C. RATED FLOW: AT 1000 PSI: 4GPM (15.2L/MIN)

- NOTES: (TRANSDUCER)
- PHASING WITH FLOW OUT C₂
"A" & "C" COMMON
"B" & "C" IN PHASE
 - EXCITATION: 15VAC RMS MAX AT 2KHZ TO 7KHZ
 - SENSITIVITY: 0.85 VOLTS/VOLT INCH AT 6.5KHZ & 100KΩ

INTERNATIONAL PART

LAST SECTION/DRAWING	THIRD ANGLE PROJECTION	NEXT ASSEMBLY	USED ON

ITEM NO.	PART OR IDENTIFYING NO.	DESCRIPTION	QTY	UNIT	SCALE	DATE	BY	CHKD	APP'D
A7286B		INSTALLATION 3 STAGE -079 SERIES							

INTERNET SEARCH	CONTRACT NO.	MOOG INC.
UNLESS OTHERWISE SPECIFIED DIMENSIONS AND TOLERANCES ARE AS FOLLOWS: DIMENSIONS ARE IN INCHES FRACTIONS: 1/16, 1/8, 1/4, 3/8, 1/2, 5/8, 3/4, 7/8, 1, 1 1/8, 1 1/4, 1 1/2, 1 3/4, 2, 2 1/4, 2 1/2, 2 3/4, 3, 3 1/4, 3 1/2, 3 3/4, 4, 4 1/4, 4 1/2, 4 3/4, 5, 5 1/4, 5 1/2, 5 3/4, 6, 6 1/4, 6 1/2, 6 3/4, 7, 7 1/4, 7 1/2, 7 3/4, 8, 8 1/4, 8 1/2, 8 3/4, 9, 9 1/4, 9 1/2, 9 3/4, 10		MOOG INC., 2385 AURORA, NY 14252

ITEM NO.	DESCRIPTION	QTY	UNIT
E194697	INSTALLATION 3 STAGE SERVOVALVE -079 SERIES		