

# CUSTOMIZED ROLLER SCREWS READY IN JUST 6 WEEKS



## WHEN THE MARKET CALLS, MOOG DELIVERS!

The most reported issues machine builders face are procurement delays and general uncertainty of their supply chain.

Moog's new initiative for rapid delivery of customized planetary roller screws, answers these challenges by offering the most common roller screw sizes used for industrial applications (diameters from 15 mm [0.59 in] to 39 mm [1.54 in]).

**Ready for delivery in just 6 weeks.** From the purchasing order, Moog will make sure a first in class, essential component for industrial motion control, will always be reliable and quickly available to all our partners across the globe.



Moog State-of-the-Art Screw Production Facilities



All screws offered include a standard nut and the option to fully customize the shaft, according to customer specifications.

## CHARACTERISTICS



Customizable (even for smaller quantities) to meet all performance requirements



Maximum flexibility in terms of design and performance range



Extremely quiet and low vibration functionality thanks to the excellent smoothness of the design



High acceleration capability for fast high duty cycle machines



Can be used in conjunction with Moog's complementary range of best-in-class electro-mechanical products and systems, such as servodrives, servomotors and motion controllers, to realize cutting-edge electro-mechanical solutions

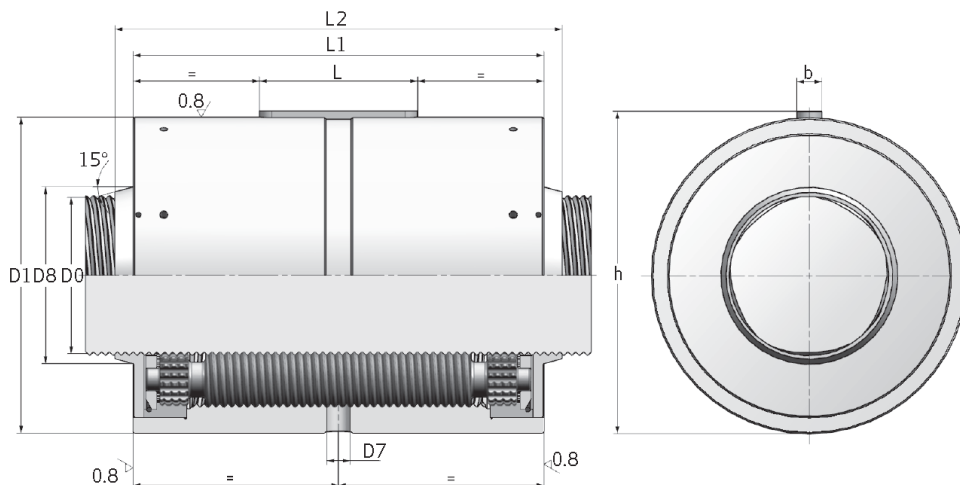


Moog expertise and close collaboration with customers to ensure that solutions meet today's toughest challenges

If you have questions about our **Customized Roller Screws** or are looking for contact information of your closest Moog authorized distributor, visit [moog.com/screws-fast](https://moog.com/screws-fast)

# AVAILABLE SIZES

## SINGLE CYLINDRICAL NUT (Dimensions and Load Capacities)



D <sub>0</sub> mm	Ph <sub>0</sub> mm [in]	C <sub>a</sub> kN [lbf]	C <sub>oa</sub> kN [lbf]	Designation
<b>15</b>	2 [0.078]	28 [6.294]	49 [11.015]	<b>00C-015-02</b>
	4 [0.157]	30 [6.744]	48 [10.790]	<b>00C-015-04</b>
	5 [0.196]	30 [6.744]	46 [10.341]	<b>00C-015-05</b>
	6 [0.236]	31 [6.969]	41 [9.217]	<b>00C-015-06</b>
	8 [0.314]	28 [6.294]	37 [8.317]	<b>00C-015-08</b>
<b>21</b>	2 [0.078]	53 [11.914]	102 [22.930]	<b>00C-021-02</b>
	4 [0.157]	58 [13.038]	112 [25.178]	<b>00C-021-04</b>
	5 [0.196]	59 [13.263]	110 [24.729]	<b>00C-021-05</b>
	6 [0.236]	62 [13.938]	103 [23.155]	<b>00C-021-06</b>
	8 [0.314]	57 [12.814]	89 [20.008]	<b>00C-021-08</b>
	10 [0.393]	57 [12.814]	90 [20.232]	<b>00C-021-10</b>
<b>25</b>	2 [0.078]	73 [16.411]	139 [31.248]	<b>00C-025-02</b>
	4 [0.157]	80 [17.984]	163 [36.643]	<b>00C-025-04</b>
	5 [0.196]	82 [18.434]	163 [36.643]	<b>00C-025-05</b>
	6 [0.236]	92 [20.682]	172 [38.667]	<b>00C-025-06</b>
	8 [0.314]	80 [17.984]	138 [31.023]	<b>00C-025-08</b>
	10 [0.393]	80 [17.984]	129 [29.000]	<b>00C-025-10</b>
<b>30</b>	2 [0.078]	86 [19.333]	160 [35.969]	<b>00C-030-02</b>
	5 [0.196]	97 [21.806]	201 [45.186]	<b>00C-030-05</b>
	6 [0.236]	110 [24.729]	215 [48.333]	<b>00C-030-06</b>
	8 [0.314]	102 [22.930]	194 [43.612]	<b>00C-030-08</b>
	10 [0.393]	103 [23.155]	184 [41.364]	<b>00C-030-10</b>
<b>39</b>	2 [0.078]	119 [26.752]	209 [46.985]	<b>00C-039-02</b>
	5 [0.196]	137 [30.798]	293 [65.869]	<b>00C-039-05</b>
	6 [0.236]	155 [34.845]	324 [72.838]	<b>00C-039-06</b>
	10 [0.393]	147 [33.046]	292 [65.644]	<b>00C-039-10</b>
	15 [0.590]	164 [36.868]	277 [62.272]	<b>00C-039-15</b>

### Legend of Symbols

- D<sub>0</sub> Nominal Diameter
- Ph<sub>0</sub> Lead
- C<sub>a</sub> Dynamic Load Capacity
- C<sub>oa</sub> Static Load Capacity

For more information, visit [www.moog.com/screws-fast](http://www.moog.com/screws-fast)  
or email us [em-motioncontrol@moog.com](mailto:em-motioncontrol@moog.com)

Moog is a registered trademark of Moog Inc. and its subsidiaries. All trademarks as indicated herein are the property of Moog Inc. and its subsidiaries. Product and company names listed are trademarks or trade names of their respective companies.

©2022 Moog Inc. All rights reserved. All changes are reserved.

Moog Customized Roller Screws Fast Delivery Leaflet  
MCM/Rev. A, December 2022, Id. CDL66617-en

# MOOG