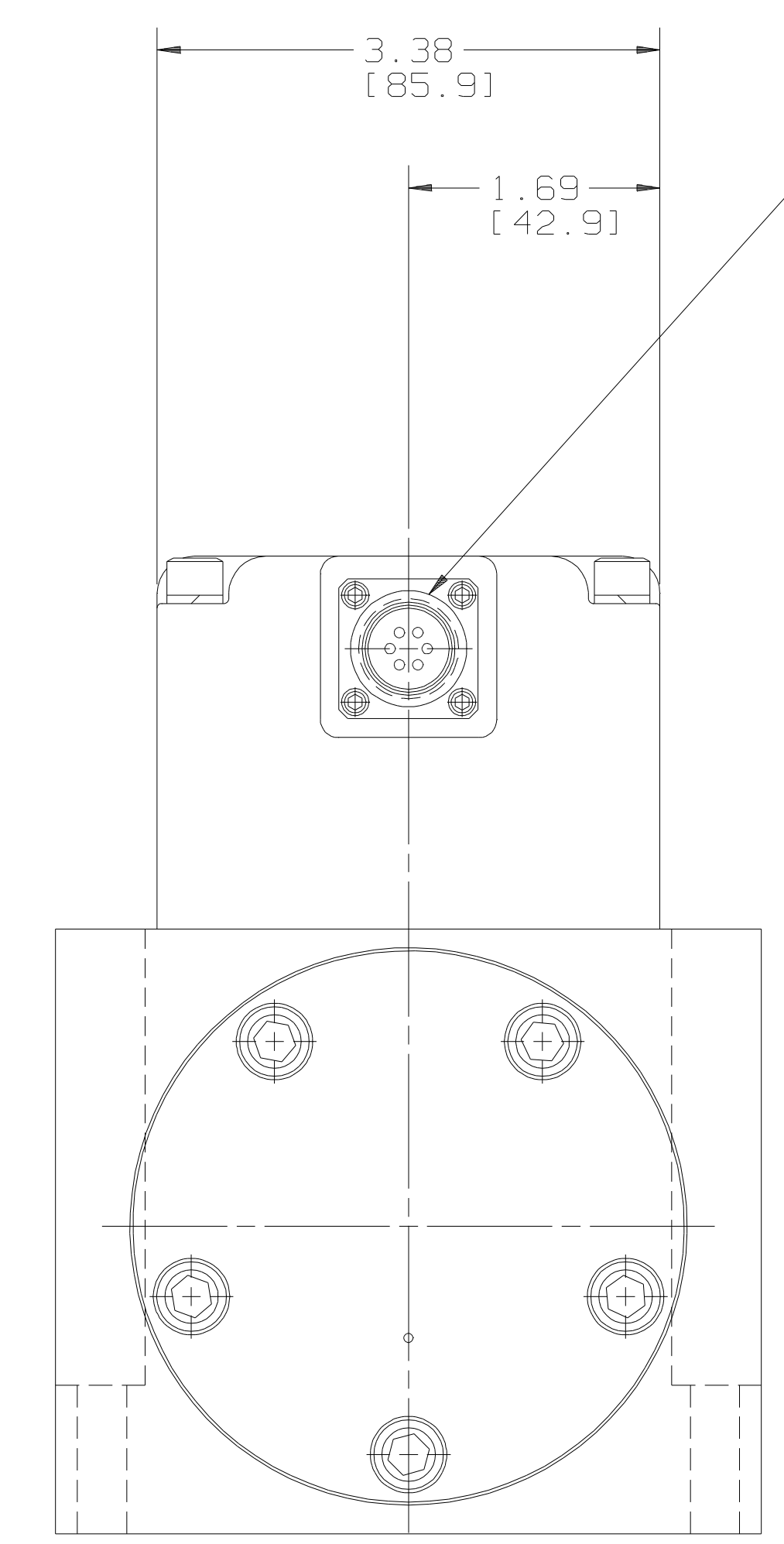
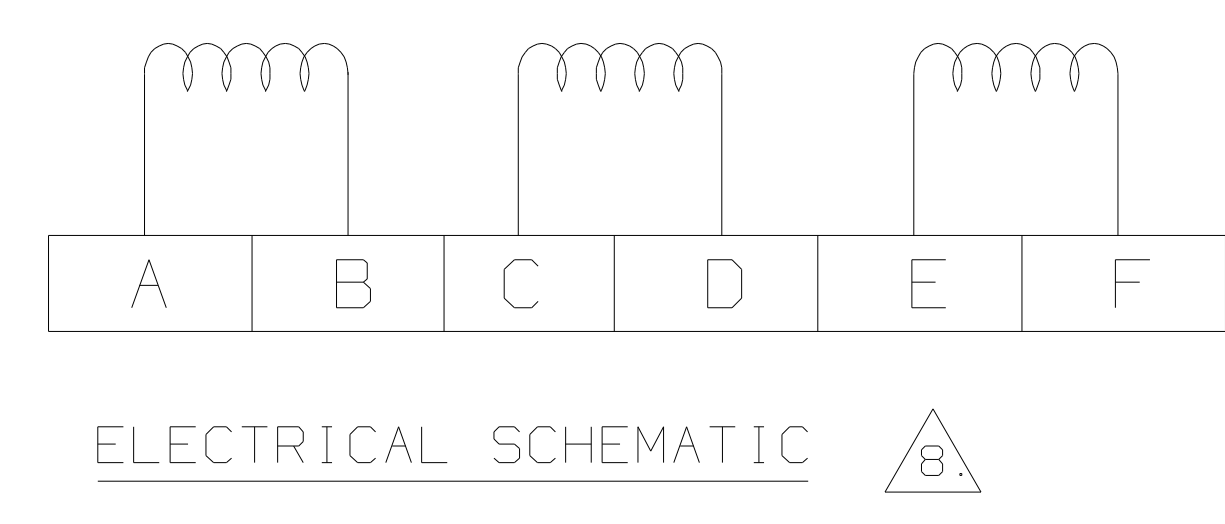
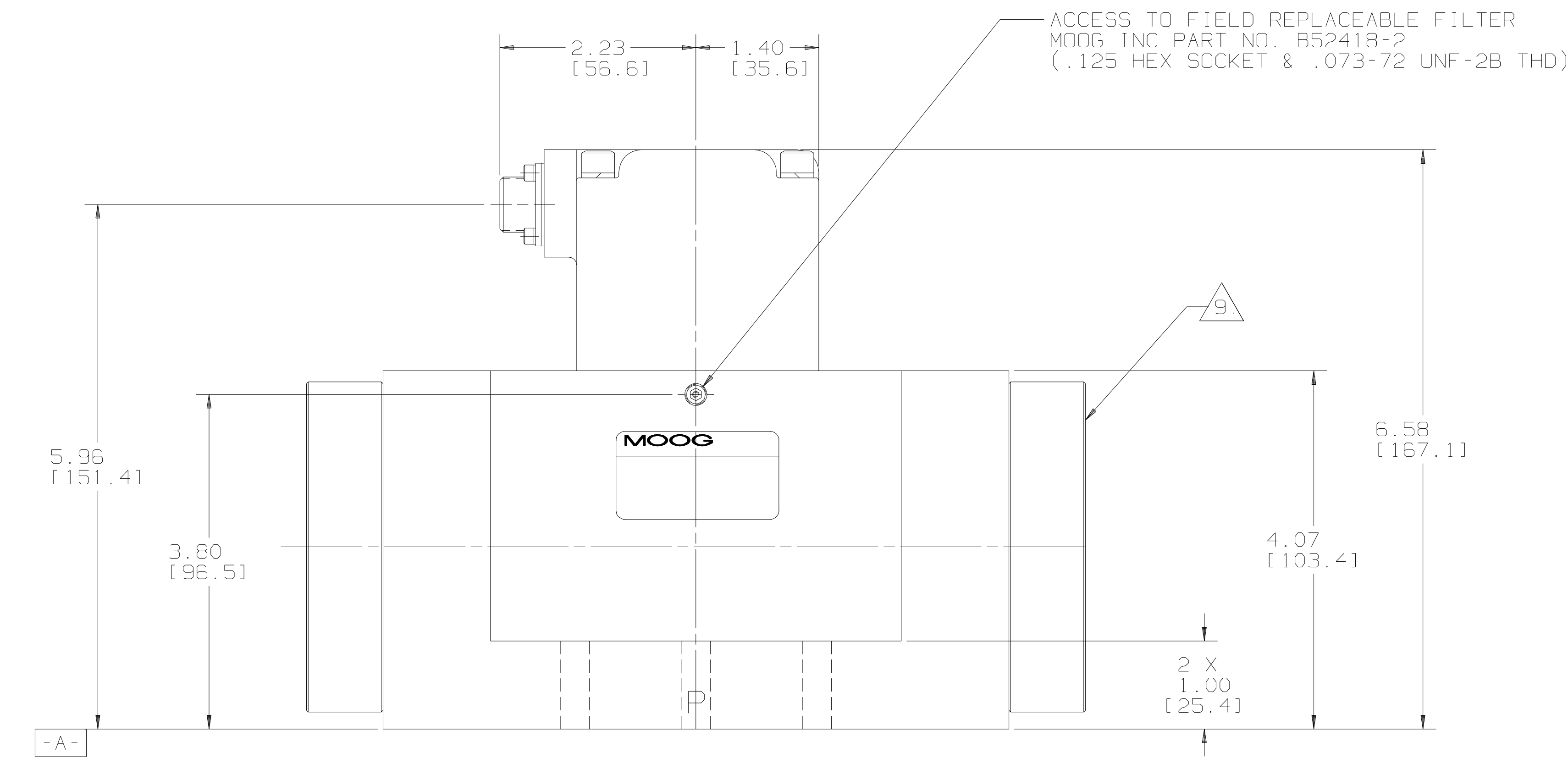
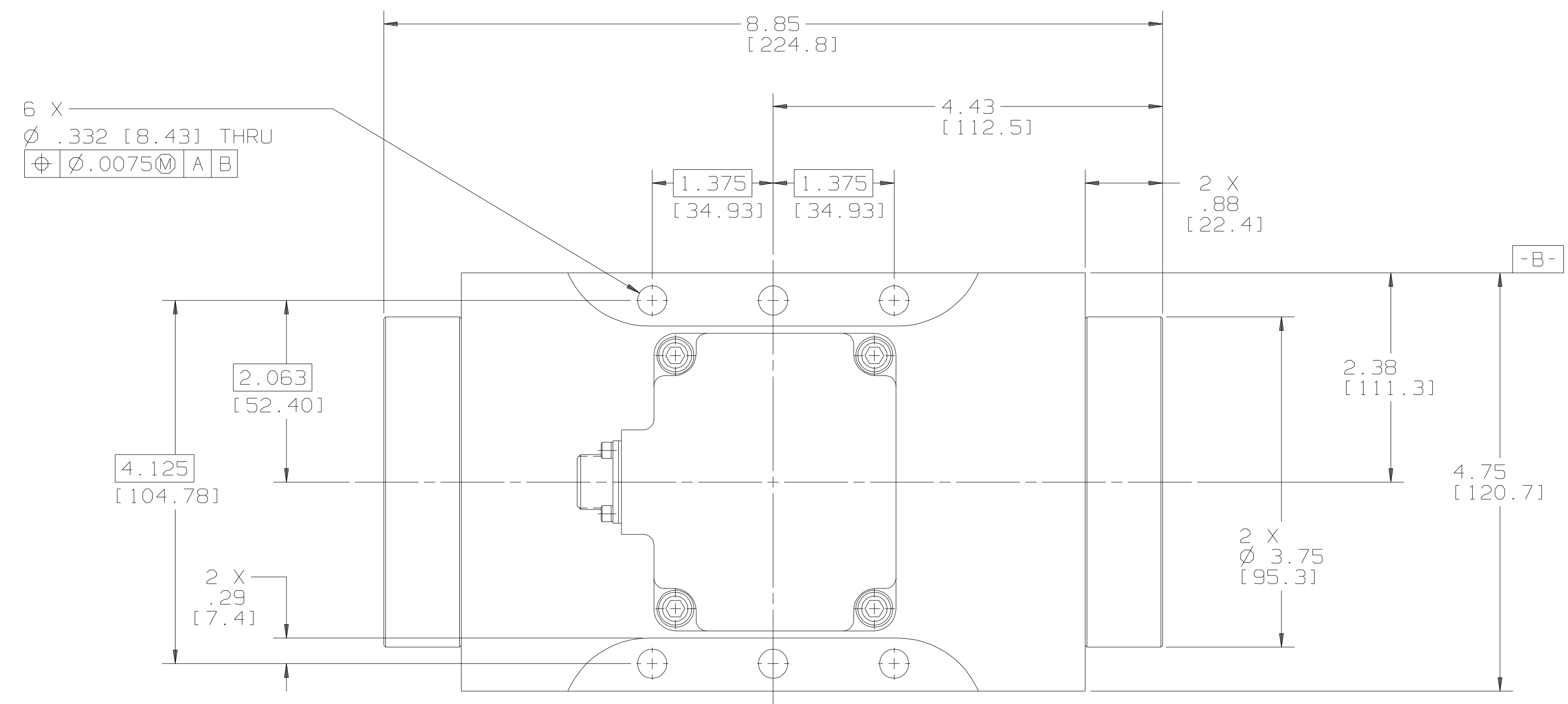


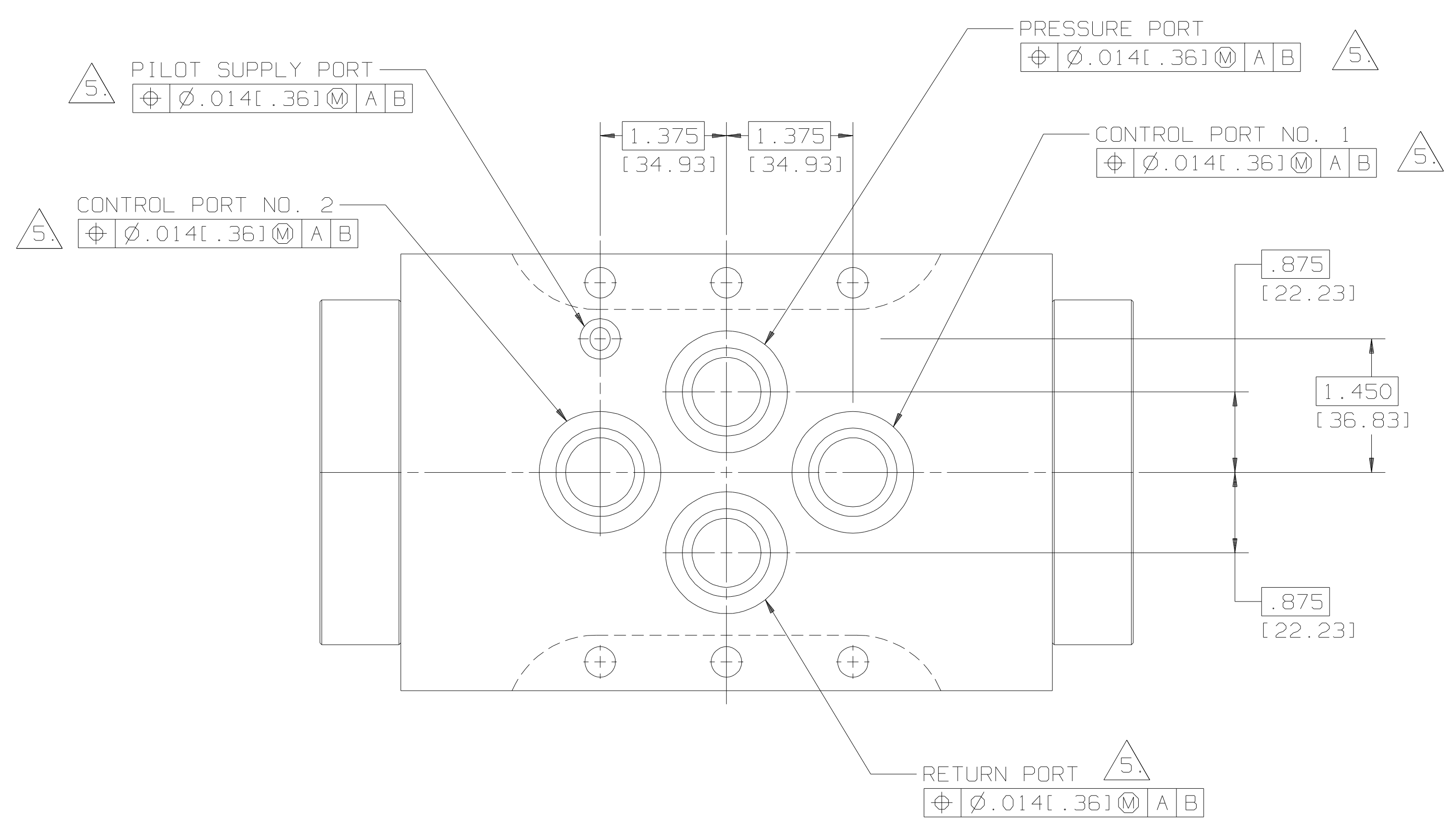
REV		DESCRIPTION	DATE	APPROVED
NC		ECN103105: RELEASED	7-11-95	PZ/LAW
A		CRN108677:	8/17/99	RKR/MAS
E4	A1	IN PS, PN WAS: 744 SERIES		
FB	A2	NPL: UPDATED MOOG LOGO		
		WAS: REPLACEABLE FILTER MOOG		
		CONTROLS PART NO. B52418-1...		
	B	CRN108738:	9/8/99	RKR/MAS
		ADDED NOTE 9.		



ELECTRICAL CONNECTOR
MATES WITH BENDIX PYGMY
CONNECTOR PC06-10-65



ACCESS TO FIELD REPLACEABLE FILTER
MOOG INC PART NO. B52418-2
(.125 HEX SOCKET & .073-72 UNF-2B THD)



NOTES:

- MAX OPERATING PRESSURE: 3000 PSI [207 bar].
- FLUID: PHOSPHATE ESTER, FLUID CLEANLINESS LEVEL PER ISO 4406 (SAE J 1165) CODE 16/13 MAXIMUM.
- OPERATING TEMPERATURE RANGE: -40°F TO +275°F [-40°C TO +135°C].
- DIMENSIONS WITHOUT TOLERANCE ARE FOR REFERENCE ONLY. DIMENSIONS IN BRACKETS [] ARE IN MILLIMETERS.
- (4) PORTS ARE .750 [19.01] DIA, CBORED 1.324 [33.63] DIA X .104 [2.64] DEEP. O-RINGS ARE .139 [3.53] SECTION X 1.046 [26.57] I.D. (UNIVERSAL SIZE -215) PILOT PORT IS .125 [3.18] DIA, CBORED .441 [11.20] DIA X .052 [1.40] DEEP O-RING IS .070 [1.78] SECTION X .301 I.D. (UNIVERSAL SIZE -11) SEAL MATERIAL IS VITON B.
- SURFACE TO WHICH VALVE MOUNTS REQUIRES $\sqrt{32}$ FINISH $\square .002 [0.051]$
- SUGGESTED MOUNTING SCREWS: .312-18 UNC X 1.50 LONG (M8 X 40MM LONG) SOCKET HEAD CAP SCREW
- SERVOVALVE POLARITY: FLOW OUT CONTROL PORT 1 WHEN:
SINGLE COIL: A+B- OR C+ D-, E+F-
- BLUE COLORED ENDCAP DESIGNATES SECOND STAGE SPRING, WITH A LOSS OF FIRST STAGE SUPPLY PRESSURE, CONTROL PORT ONE(1), IS CONNECTED TO RETURN.

744F002/744F004		INSTALLATION, SERVOVALVE	
QTY. REQ'D	PART OR IDENTIFYING NO.	NOMENCLATURE OR DESCRIPTION	BALLOON NO.
PRODUCT STRUCTURE			
UNLESS OTHERWISE SPECIFIED		INTERPRET DRAWING PER ANSI Y14.1-1974 & ANSI B1.1	FIRST USE 744 SER
MATERIAL		PREPARED RKR 3/17/95	MOOG
FILLIETS		CHECKED MDW 8/1/95	MOOG INC., EAST AURORA, NY 14052
EDGES		MGR ENGR DKW 6/30/95	INSTALLATION,
SURFACE ROUGHNESS PER ANSI Y14.36 & B46.1		DSGN ENGR MOD 6/30/95	SERVOVALVE 5TH PORT,
CONCENTRIC DIAMETERS: $\square [0.000]$		PROD ENGR	744 SERIES
DRILL POINTS: 115°-140°		APPL ENGR	SIZE CASE CODE DRAWING NO.
PARTS TO BE FREE OF BURRS		MFG SPP 6/12/95	E ϕ CHW ϕ G3546
		DUAL	SCALE: 1/1 HT: SHEET