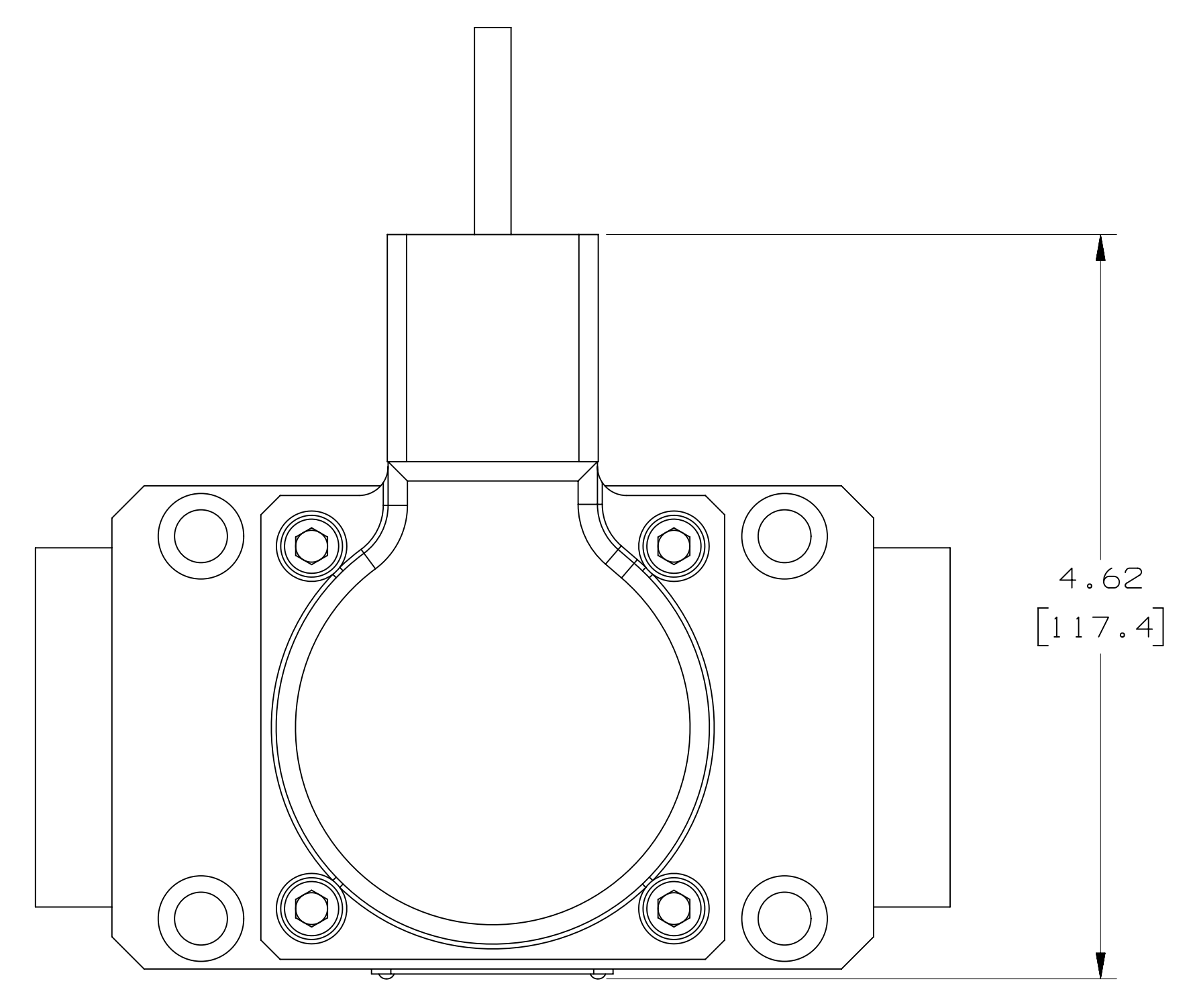
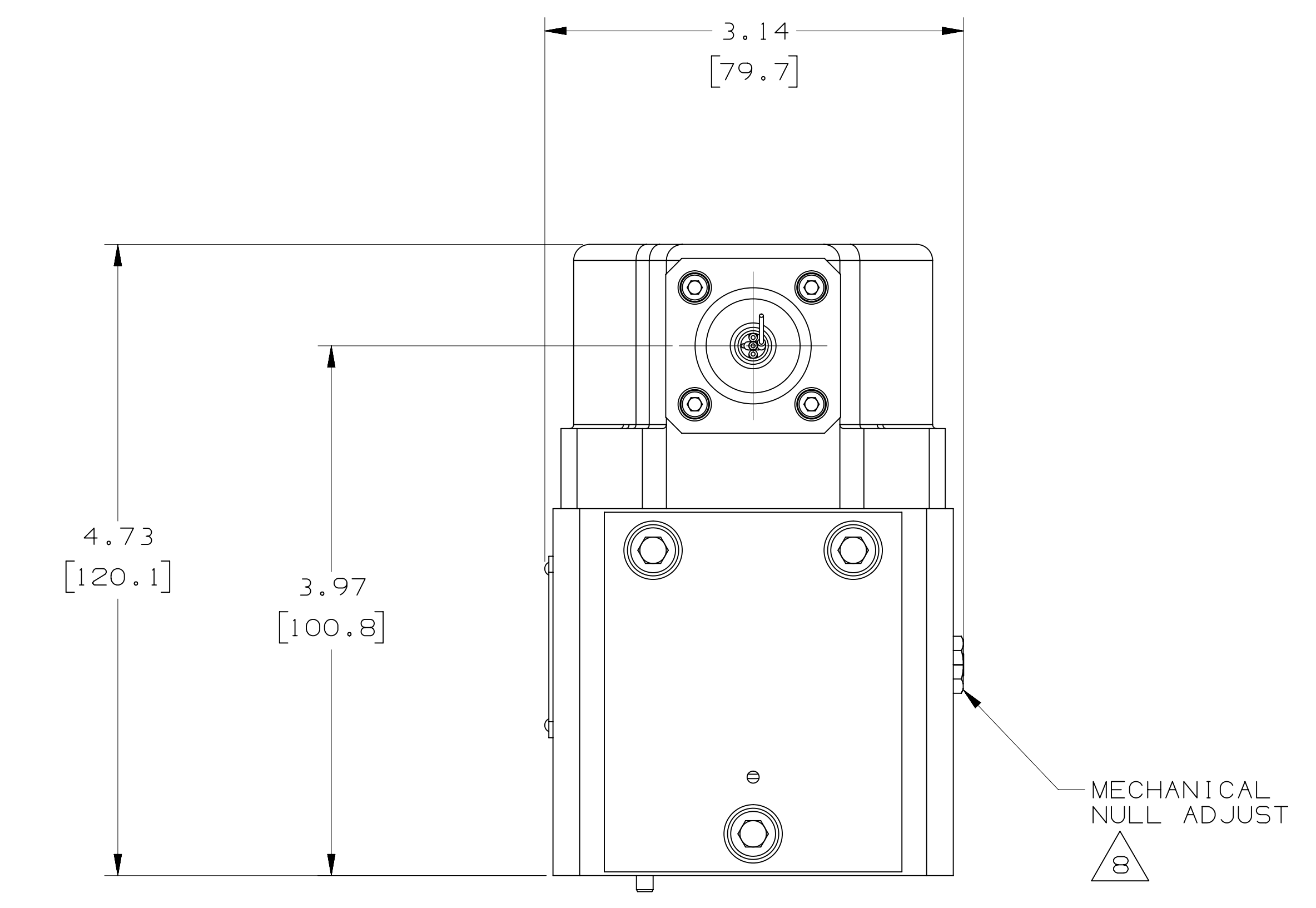
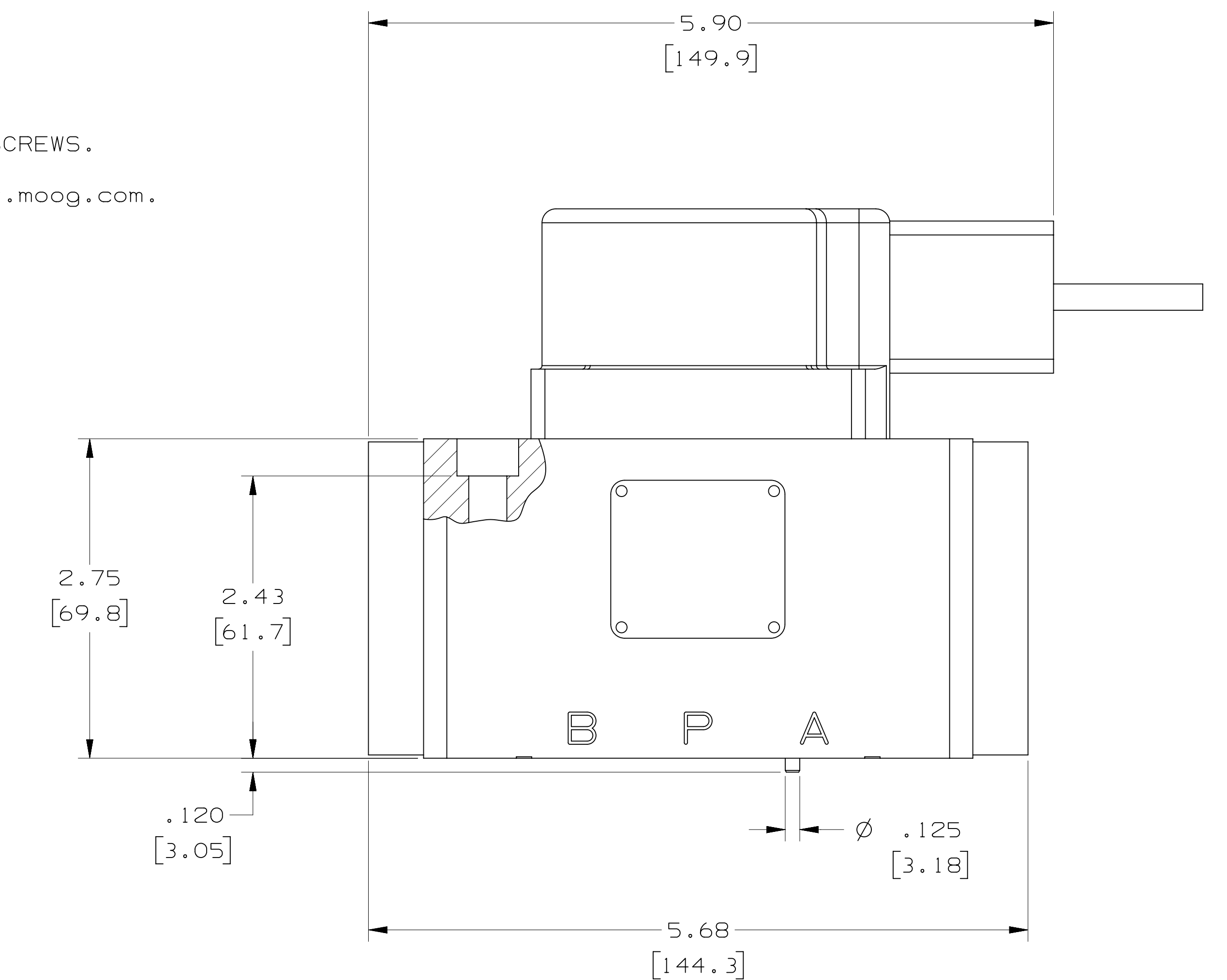
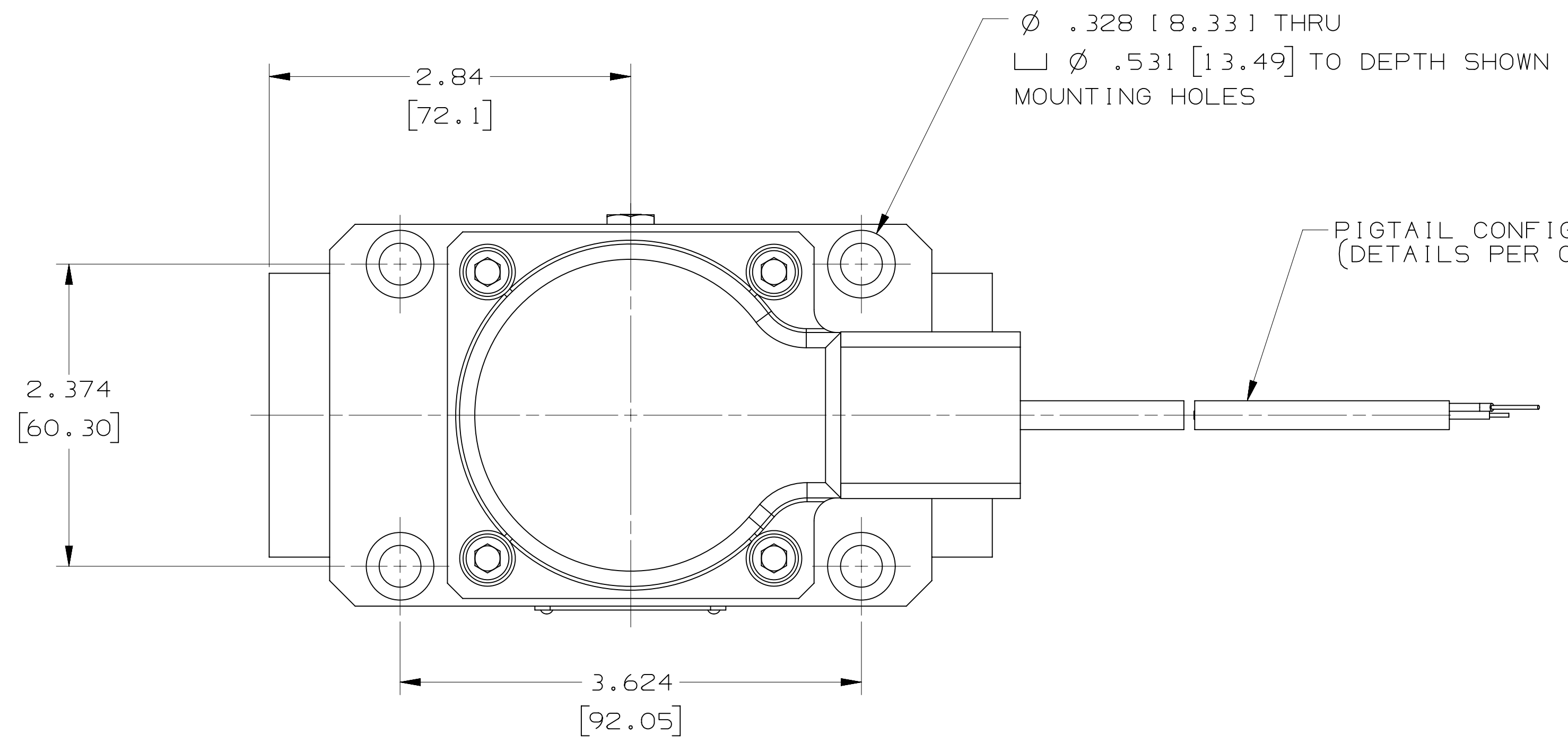


ZONE		REV	DESCRIPTION	DATE	APPROVED
-		EO UE1064531	RELEASE	20170901	MJN/MEL/RJM

THIS TECHNICAL DATA/DRAWING/DOCUMENT CONTAINS MOOG PROPRIETARY AND CONFIDENTIAL INFORMATION. MOOG PROPRIETARY AND CONFIDENTIAL INFORMATION IS THE EXPRESS PROPERTY OF MOOG INC. OR MOOG INC. SUBSIDIARIES EXCEPT AS EXPRESSLY GRANTED BY CONTRACT OR BY OPERATION OF LAW AND IS RESTRICTED TO USE BY ONLY MOOG EMPLOYEES AND OTHER PERSONS AUTHORIZED IN WRITING BY MOOG OR AS EXPRESSLY GRANTED BY CONTRACT OR BY OPERATION OF LAW. NO PORTION OF THIS DATA/DRAWING/DOCUMENT WILL BE REPRODUCED, DISCLOSED OR COPIED OR FURNISHED IN WHOLE OR IN PART TO OTHERS OR USED BY OTHERS FOR ANY PURPOSE WHATSOEVER EXCEPT AS SPECIFICALLY AUTHORIZED IN WRITING BY MOOG INC. OR MOOG INC. SUBSIDIARY.

THIS DOCUMENT CONTAINS TECHNOLOGY SUBJECT TO THE U.S. EXPORT ADMINISTRATION REGULATIONS (EAR) AND MAY NOT BE EXPORTED OR TRANSFERRED TO ANY UNLICENSED PERSON, ENTITY, OR COMPANY, BY ANY MEANS, OR FOR END USES REQUIRING A LICENSE, WITHOUT PRIOR WRITTEN APPROVAL FROM THE U.S. DEPARTMENT OF COMMERCE, BUREAU OF INDUSTRY AND SECURITY (BIS). DIVERSION CONTRARY TO U.S. LAW IS PROHIBITED.

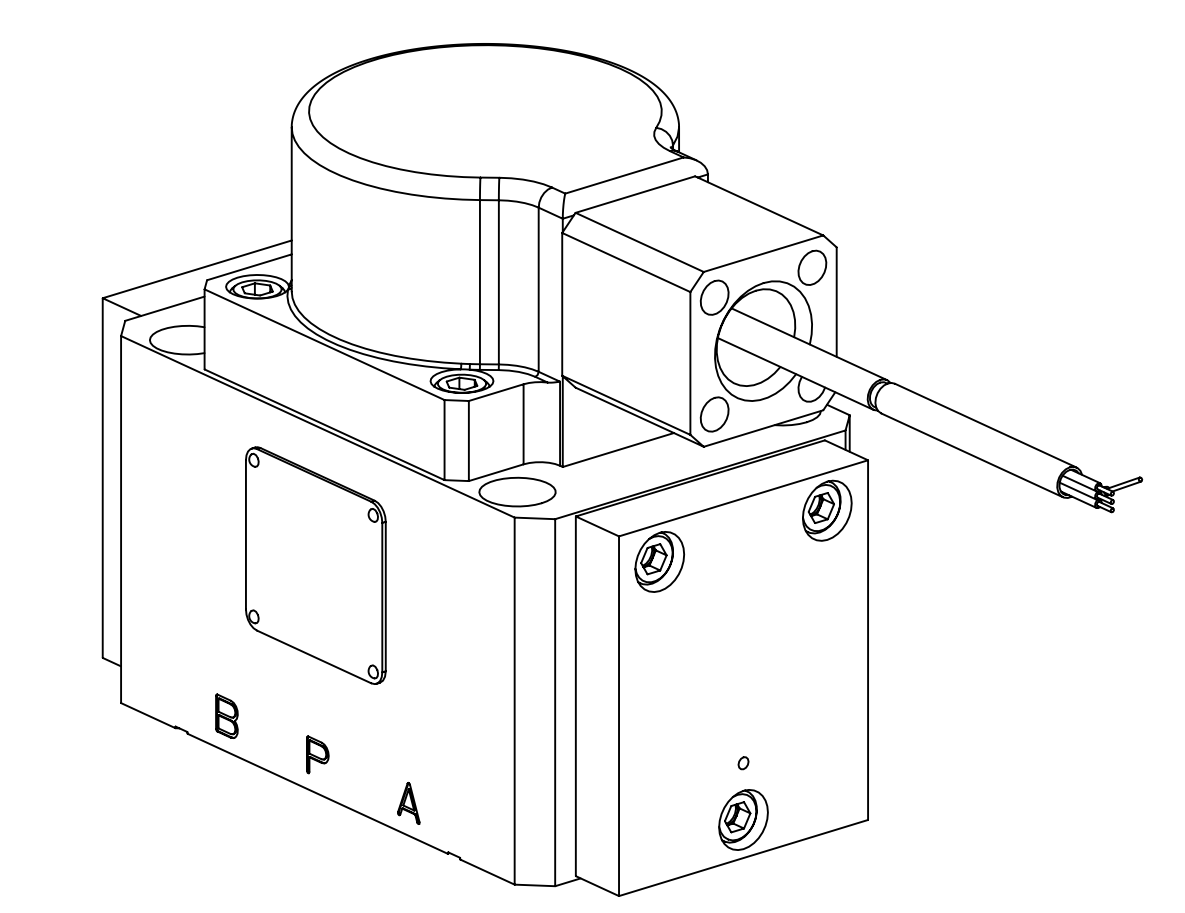
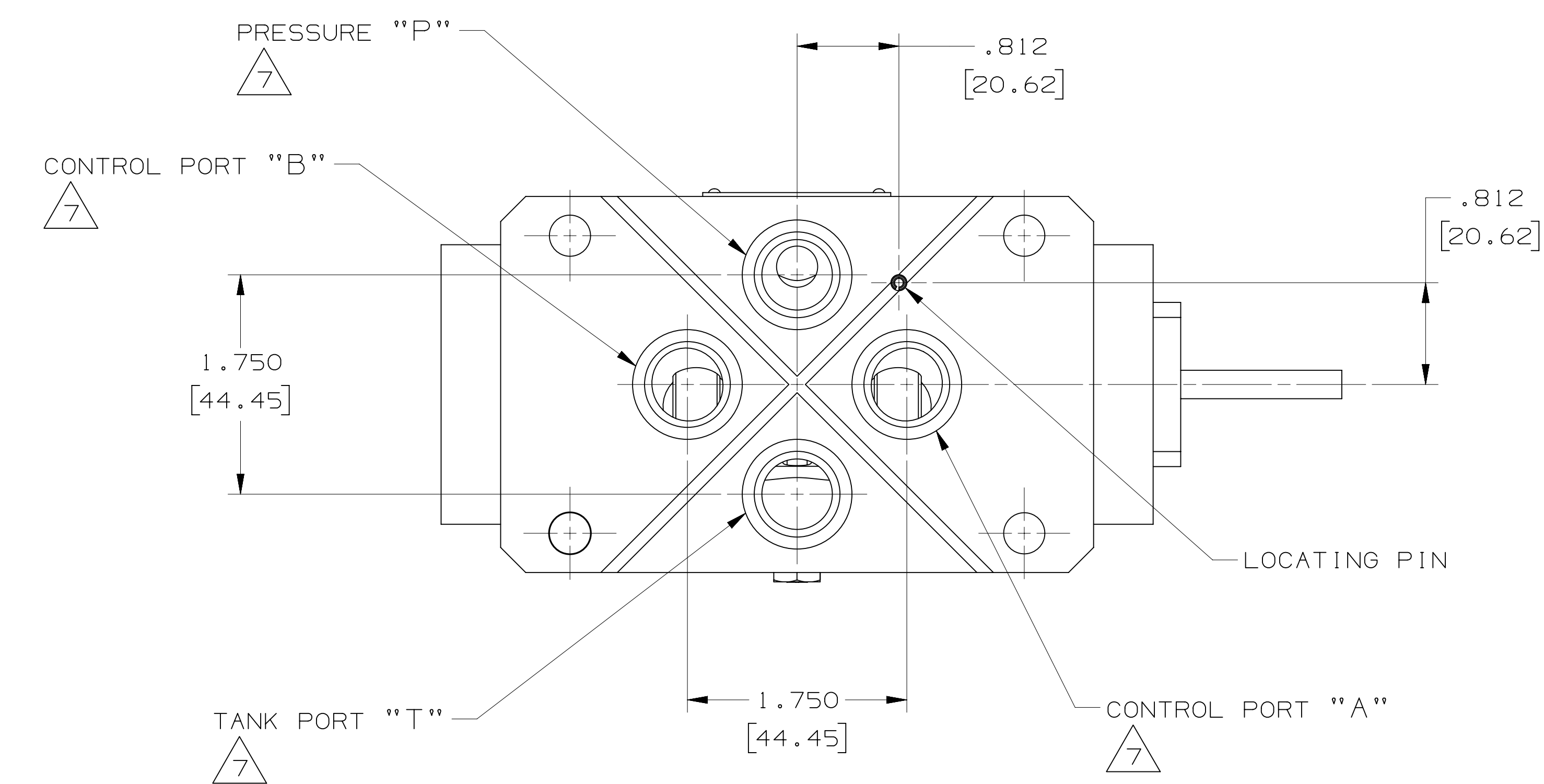
- NOTES:
1. FLUID:
TYPE: DEPENDENT ON SEAL MATERIAL: SEE TYPE CODE POSITION "8" ON SHEET 2.
RECOMMENDED VISCOSITY RANGE AT 38°C (100°F): 10 TO 97 mm²/s (cSt).
CLEANLINESS LEVEL PER ISO 4406:
NORMAL LIFE: 17/14/11
LONG LIFE: 15/13/10
 2. CERTIFIED OPERATING TEMPERATURE RANGE: SEE NAMEPLATE.
 3. MAXIMUM OPERATING PRESSURE: SEE TYPE CODE POSITION "3" ON SHEET 2.
 4. STANDARD POLARITY OPERATION: (REFERENCE ELECTRICAL SCHEMATIC ON SHEET 2)
FLOWOUT PORT "B" WILL RESULT WHEN:
SERIES: GREEN & YELLOW TIED, BROWN +, VIOLET -
PARALLEL: BROWN & YELLOW TIED +, GREEN & VIOLET TIED -
SINGLE: BROWN +, GREEN - OR YELLOW +, VIOLET -
 5. ELECTRICAL CONNECTOR: SEE TYPE CODE POSITION "9" ON SHEET 2.
 6. DIMENSIONS ARE FOR REFERENCE ONLY.
DIMENSIONS IN BRACKETS () ARE IN MILLIMETERS.
 7. PORTS P,T,A,B:
□ ϕ .875 [22.23] ∇ .052 [1.32].
O-RINGS: .739 [18.77] I.D. X .070 [1.78] CROSS SECTION (UNIVERSAL SIZE -O18).
 8. FOR ADDITIONAL INFORMATION/INSTRUCTION REFER TO:
"78N/760N SERIES INSTALLATION AND OPERATION INSTRUCTION" (CDS6857),
AVAILABLE ON www.moog.com/installation.
 9. SURFACE TO WHICH VALVE IS MOUNTED REQUIRES $\sqrt[32]{0.8}$, $\square .002 [0.05]$.
 10. SUGGESTED MOUNTING SCREWS: .312-18 X 1.750 LONG (M8 X 45 LONG) SOCKET HEAD CAP SCREWS.
 11. FOR ACCESSORIES AND SPARE PARTS SEE 78 SERIES CATALOG (CDL6272) AVAILABLE ON www.moog.com.



CONNECTOR ORIENTATION OVER TANK PORT "T"

OPTIONAL CONNECTOR ORIENTATION OVER PRESSURE PORT "P" (180°) WOULD YIELD THE SAME DIMENSIONS

SEE TYPE CODE POSITION "9" ON SHEET 2



NOTE:
FOR CONNECTOR ORIENTATION OVER CONTROL PORT "B" DIMENSIONS WOULD BE THE SAME AS IN OVER CONTROL PORT "A" (AS SHOWN ON MAIN DRAWING VIEWS).

INTERNATIONAL PART

LAST SECTION/DATUM		UNLESS OTHERWISE SPECIFIED: DIMENSIONS ARE IN INCHES TOLERANCES: FRACTIONS DECIMALS ANGLES .01 .001 .005 ANGLES ± 0° 30'	INTERPRET DRAWING PER MIL-STD-100 DIMENSIONING AND TOLERANCING PER ASME Y14.5M-1994	CONTRACT NO.	MOOG INC.
THIRD ANGLE PROJECTION		FILLETES .015 RAD EDGES .010 RAD OR CHAM SURFACE ROUGHNESS PER ANSI Y14.2M & B46.1 125	MATERIAL	PREPARED M. NEUREUTHER 2017-...	MOOG INC. EAST AURORA, NY 14052
NEXT ASSEMBLY	USED ON	CONCENTRIC DIAMETERS: ∇ .002 SMALL POINTS: 115° TAP ALL DIMENSIONS ARE IN INCHES PART TO BE FREE OF BURRS		CHECKED	TITLE
				MDR ENGR	INSTALLATION, SERVO VALVE, -078N SERIES
				DES ENGR M. LUDLOW 2017-...	SIZE
				PRD ENGR R. MILLOTTO 2017-...	CAGE CODE
				APL ENGR	DWG NO.
				MFG	E94697 CC42165
				QUAL	SCALE 5/4
					SHEET 1 OF 2

Part No. CC42165

UNIGRAPHICS DATA BASE

TYPE CODE DESIGNATION - AS SHOWN ON NAMEPLATE OF SERVO VALVE.
 (EXAMPLE: S15F0GB4V2M)

POSITION	1	2	3	4	5	6	7	8	9	10	11
CODE	S	1	5	F	0	G	B	4	V	2	M

POSITION "3" (PRESSURE RATINGS):

CODE	MAXIMUM DESIGN (OPERATING)			NORMAL TEST			PROOF		
	MPA	BAR	PSI	MPA	BAR	PSI	MPA	BAR	PSI
F (ALUMINUM BODY)	21.0	210	3000	21.0	210	3000	31.5	315	4500

POSITION "8" (SEAL MATERIAL):

CODE	MATERIAL
V	FKM (VITON)

POSITION "9" (VALVE CONNECTOR, TYPE AND ORIENTATION OVER PORT):

CODE	TYPE	ORIENTATION	CONNECTION
1	4 LEAD PIGTAIL	CONNECTOR OVER PORT B (C2)	1/2-14 NPT FEMALE THREAD FOR CONDUIT CONNECTION
2	4 LEAD PIGTAIL	CONNECTOR OVER PORT A (C1)	1/2-14 NPT FEMALE THREAD FOR CONDUIT CONNECTION
4	4 LEAD PIGTAIL	CONNECTOR OVER PORT T	1/2-14 NPT FEMALE THREAD FOR CONDUIT CONNECTION
X	SPECIAL VERSIONS		1/2-14 NPT FEMALE THREAD FOR CONDUIT CONNECTION

POSITION "11" (SPECIAL VERSIONS):

CODE	VALVE VERSION
R	REVERSE POLARITY RHGH

