

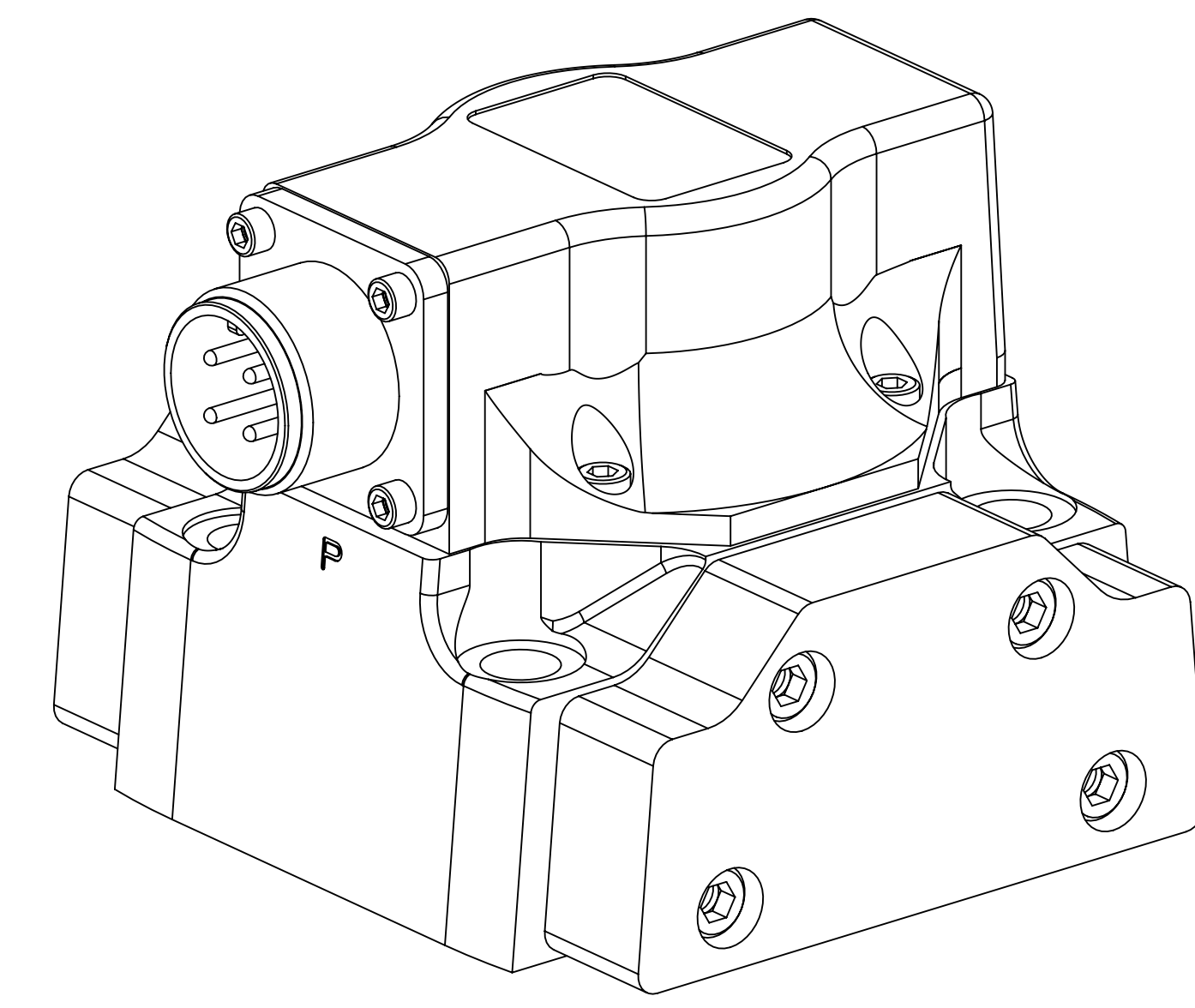
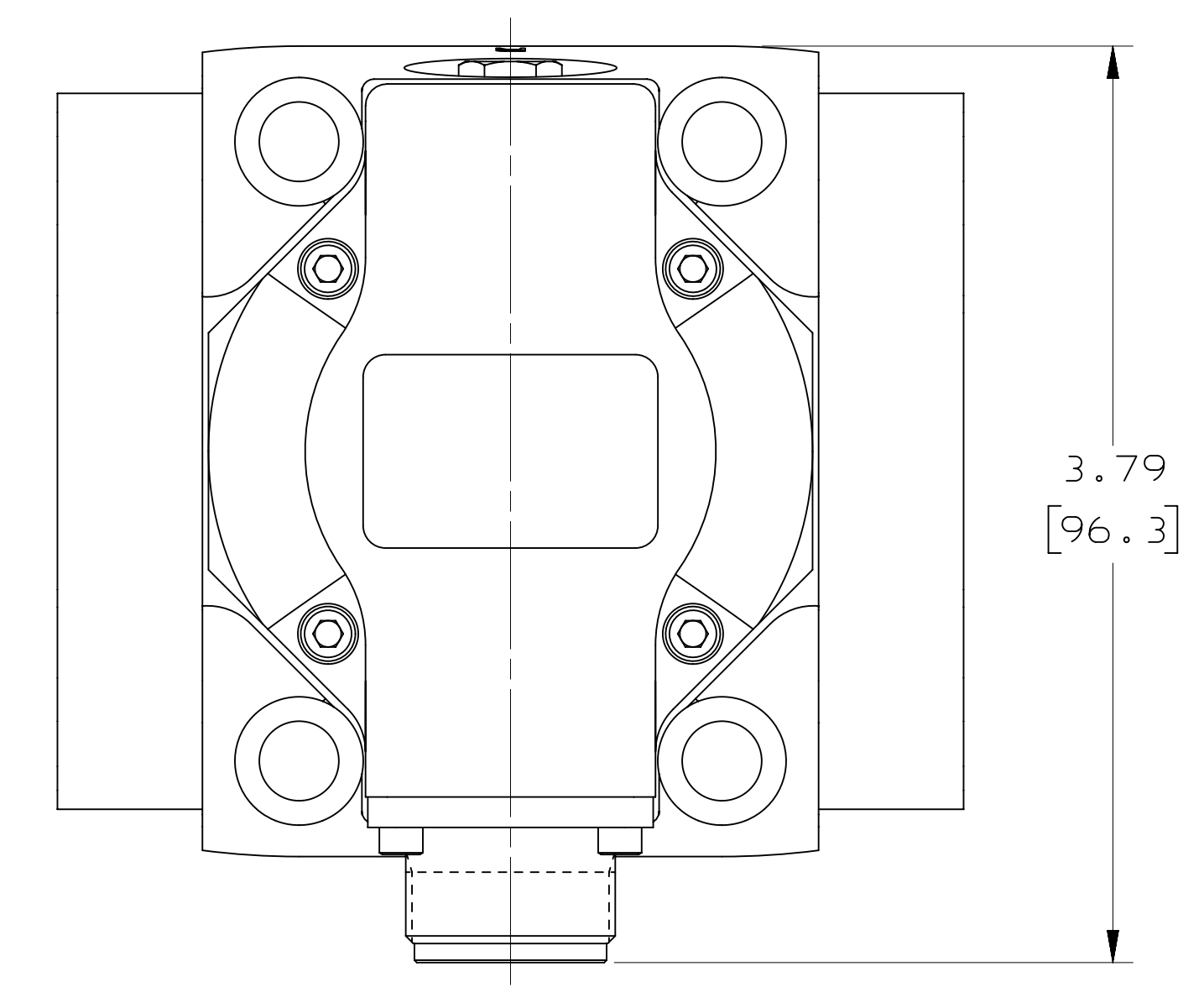
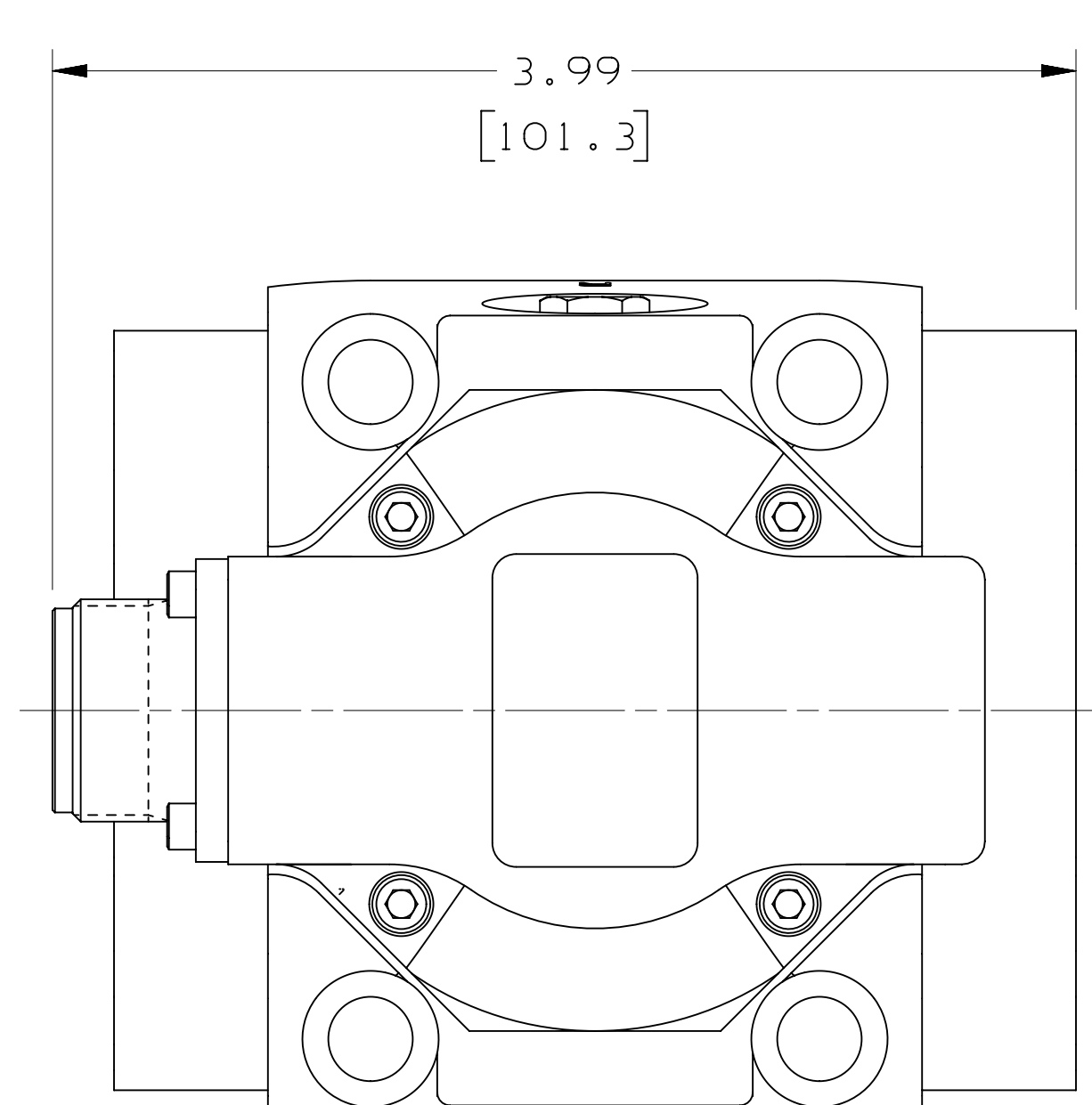
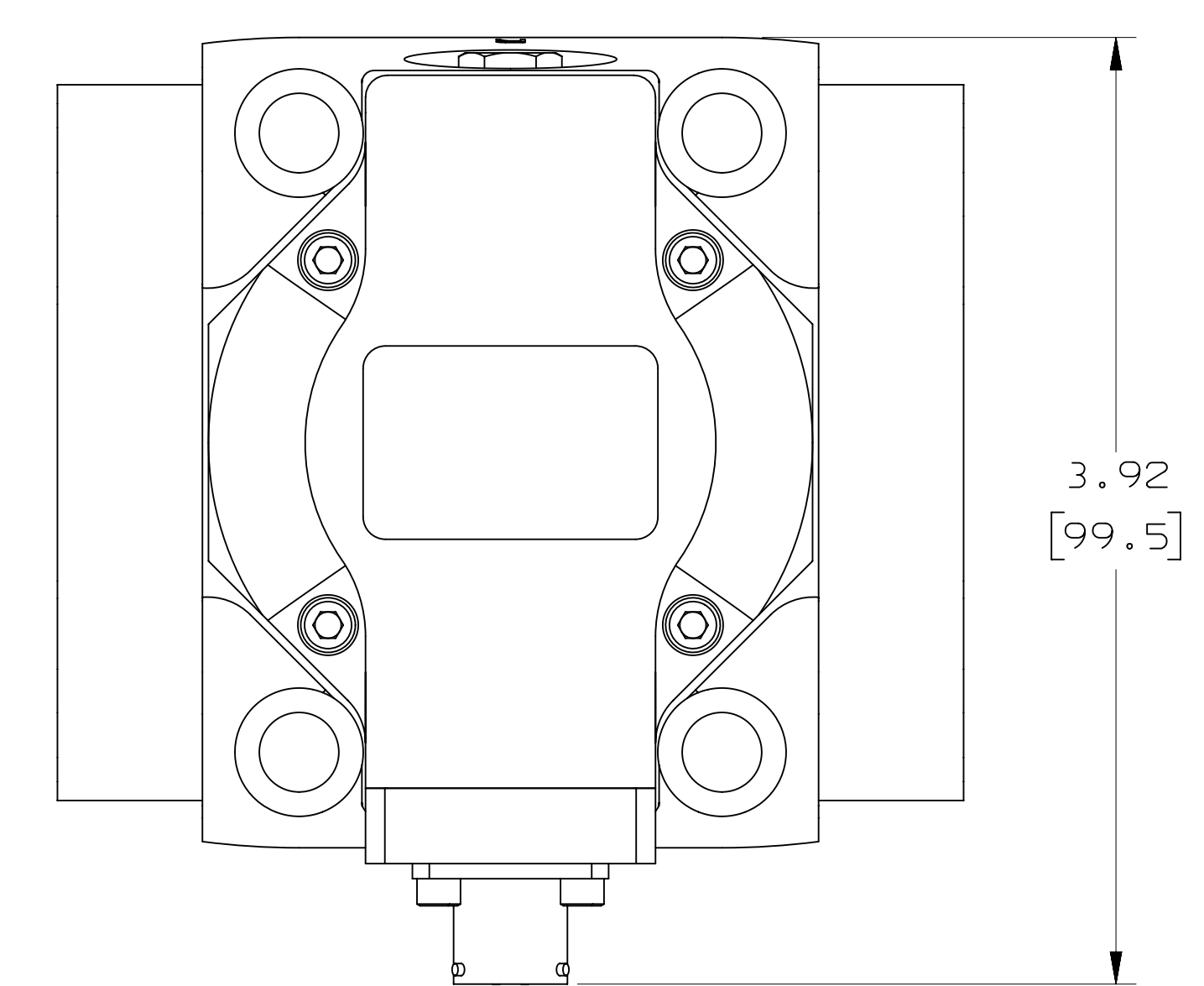
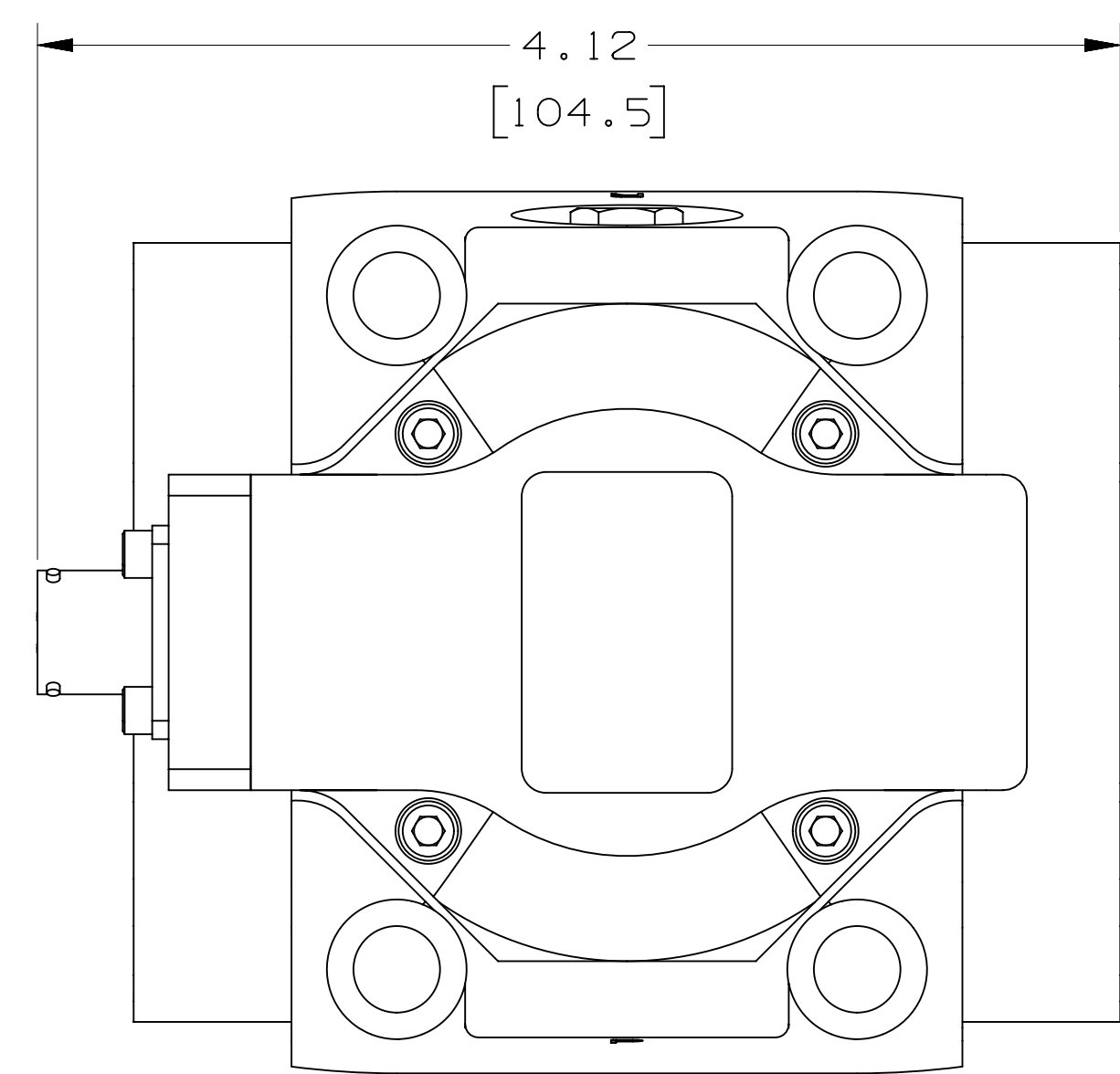
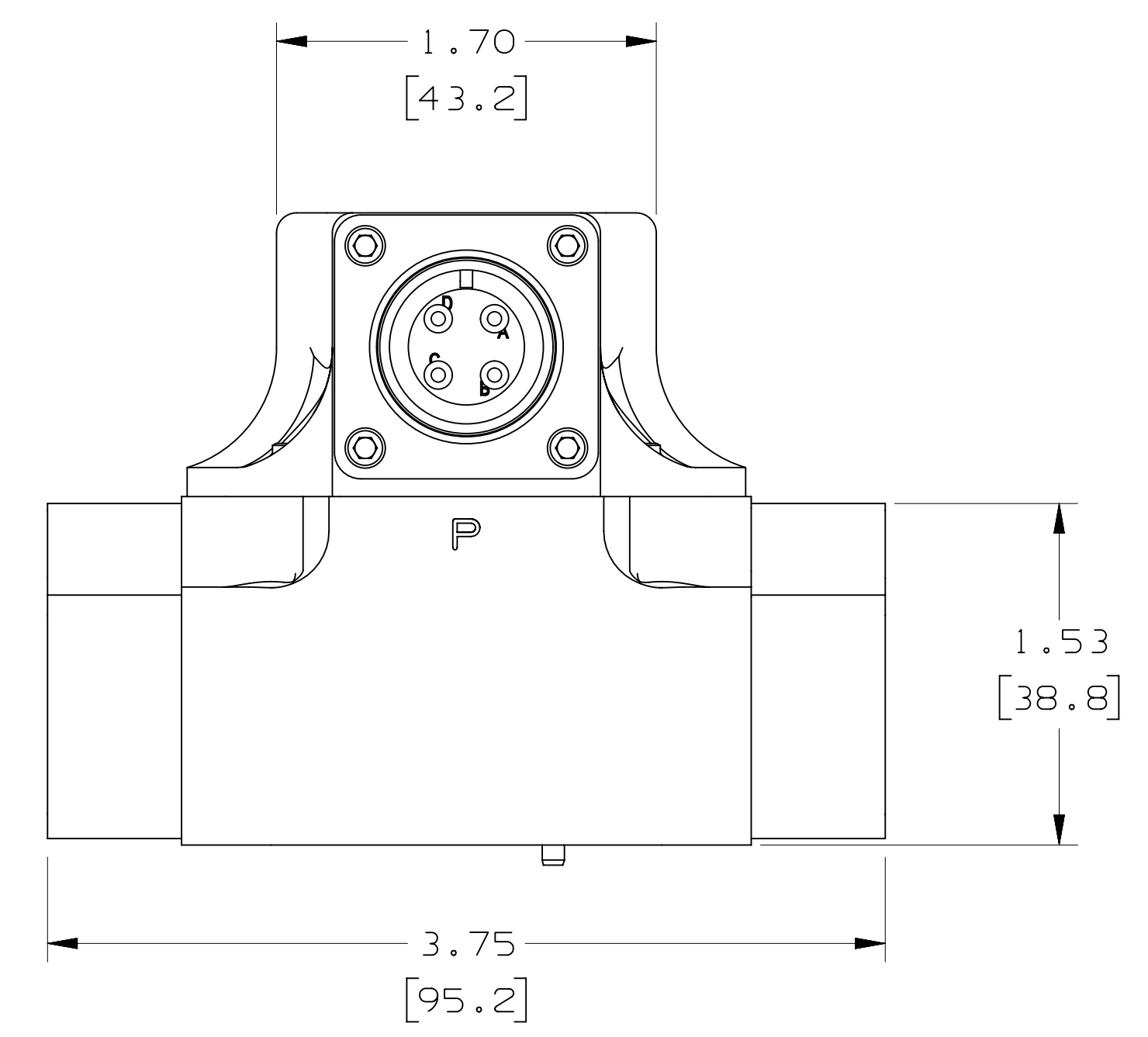
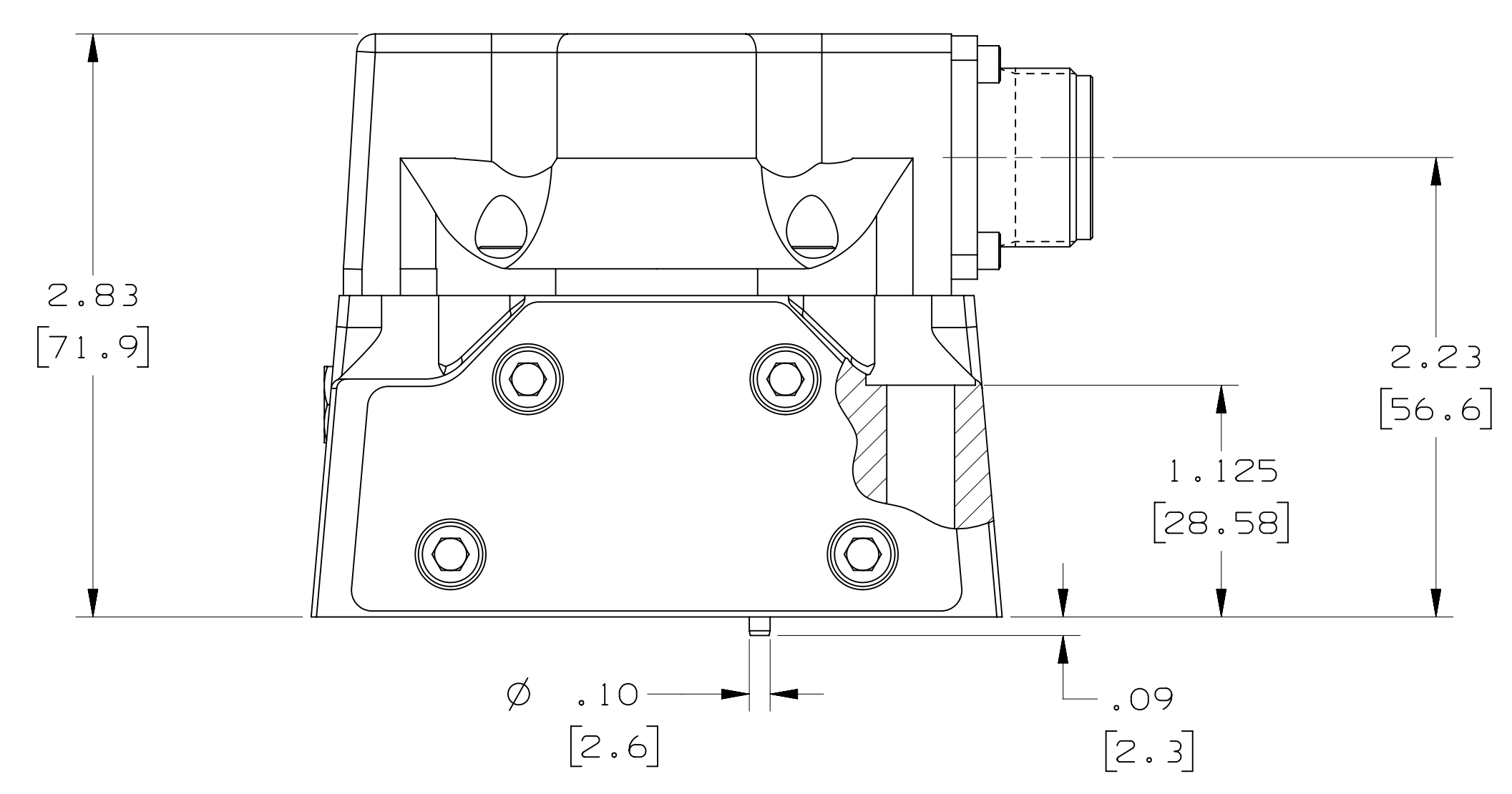
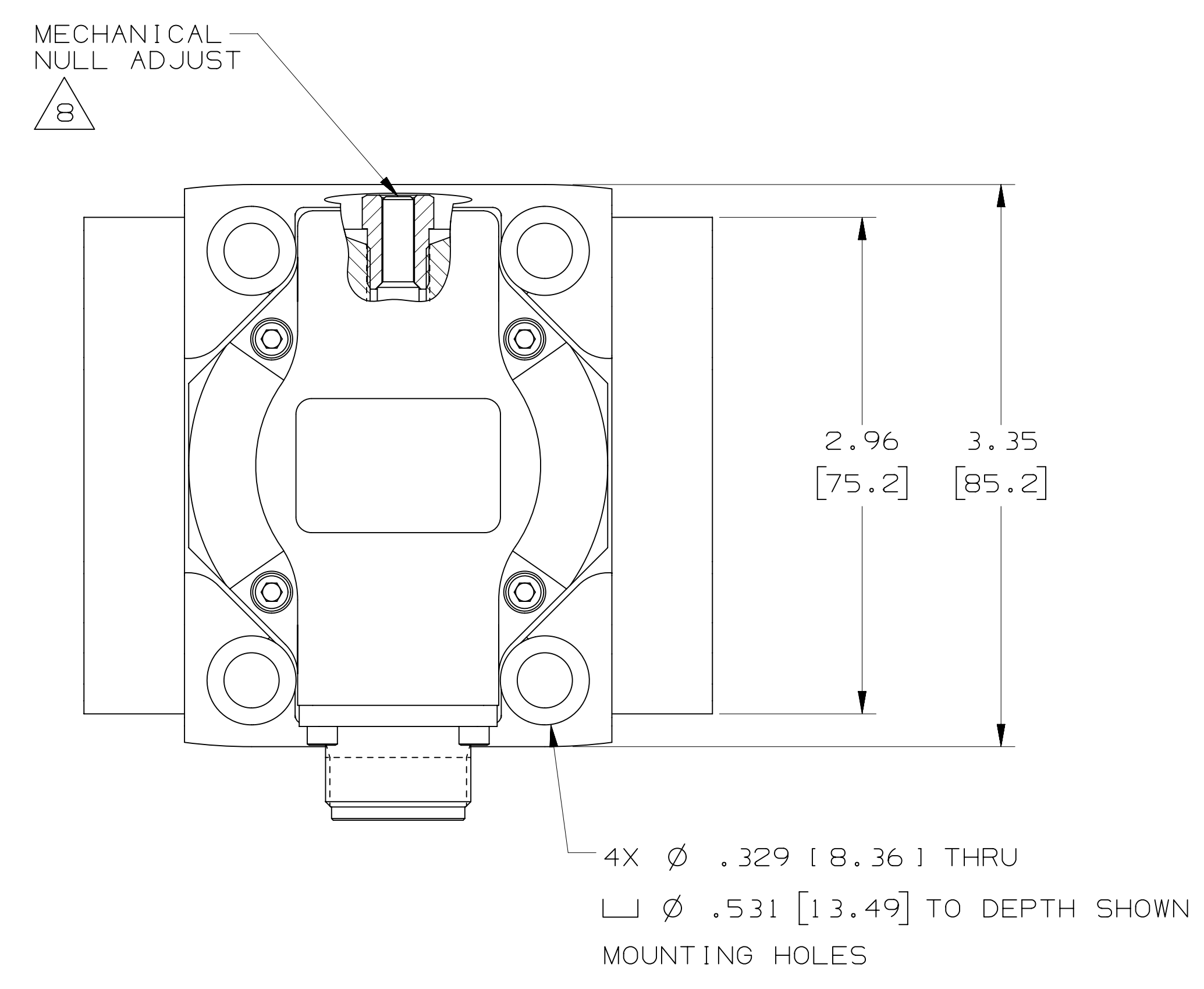
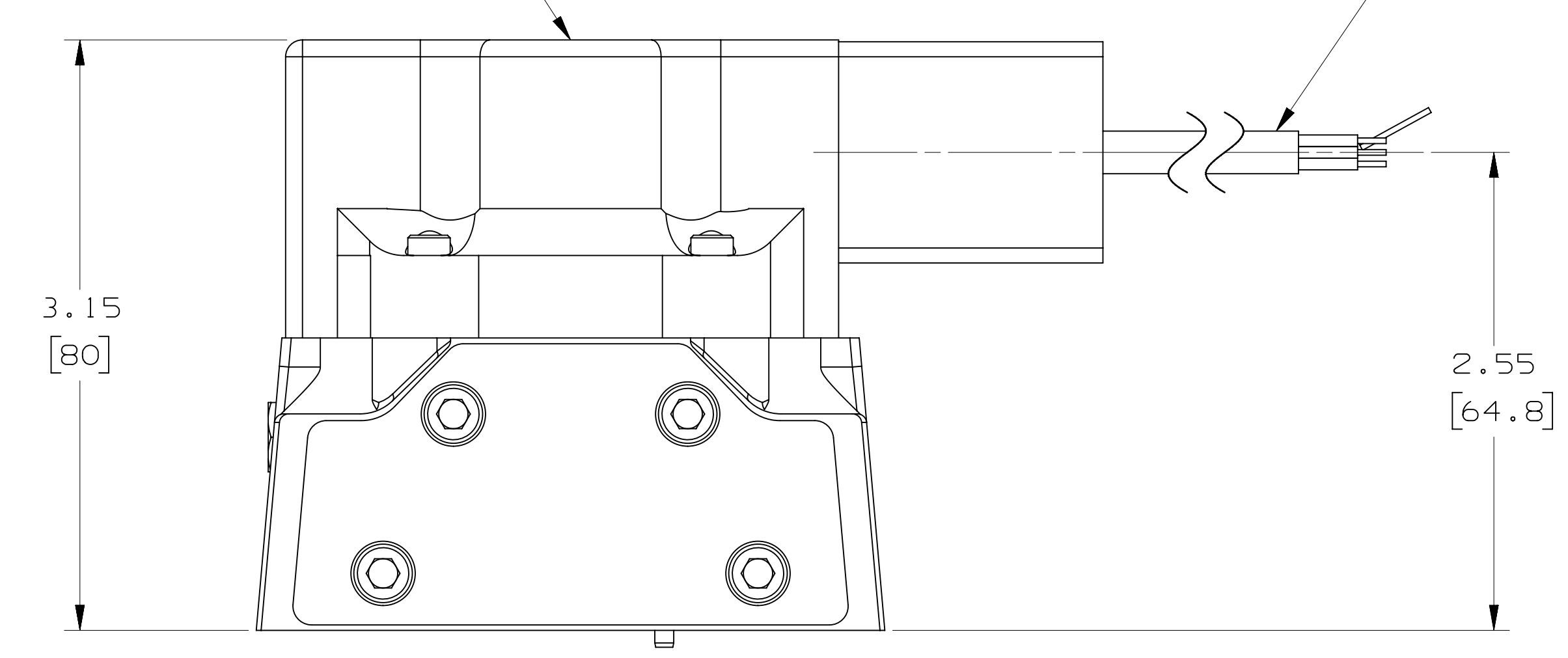
THIS TECHNICAL DATA DRAWING/DOCUMENT CONTAINS MOOG PROPRIETARY AND CONFIDENTIAL INFORMATION. SUBSIDIARIES EXCEPT AS EXPRESSLY GRANTED BY CONTRACT OR BY OPERATION OF LAW IS RESTRICTED TO USE BY ONLY MOOG EMPLOYEES AND OTHER PERSONS AUTHORIZED IN WRITING BY MOOG OR AS EXPRESSLY GRANTED BY CONTRACT OR BY OPERATION OF LAW. NO PORTION OF THIS DATA DRAWING/DOCUMENT SHALL BE REPRODUCED OR DISCLOSED OR COPIED OR FURNISHED IN WHOLE OR IN PART TO OTHERS FOR ANY PURPOSE WHATSOEVER EXCEPT AS SPECIFICALLY AUTHORIZED IN WRITING BY MOOG INC. OR MOOG INC. SUBSIDIARY.

THIS DOCUMENT CONTAINS TECHNOLOGY SUBJECT TO THE U.S. EXPORT ADMINISTRATION REGULATIONS (EAR) AND MAY NOT BE EXPORTED OR TRANSFERRED TO ANY UNLICENSED PERSON, ENTITY, OR COMPANY, BY ANY MEANS, OR FOR END-USES REQUIRING A LICENSE, WITHOUT PRIOR WRITTEN APPROVAL FROM THE U.S. DEPARTMENT OF COMMERCE, BUREAU OF INDUSTRY AND SECURITY (BIS). DIVERSION CONTRARY TO U.S. LAW IS PROHIBITED.

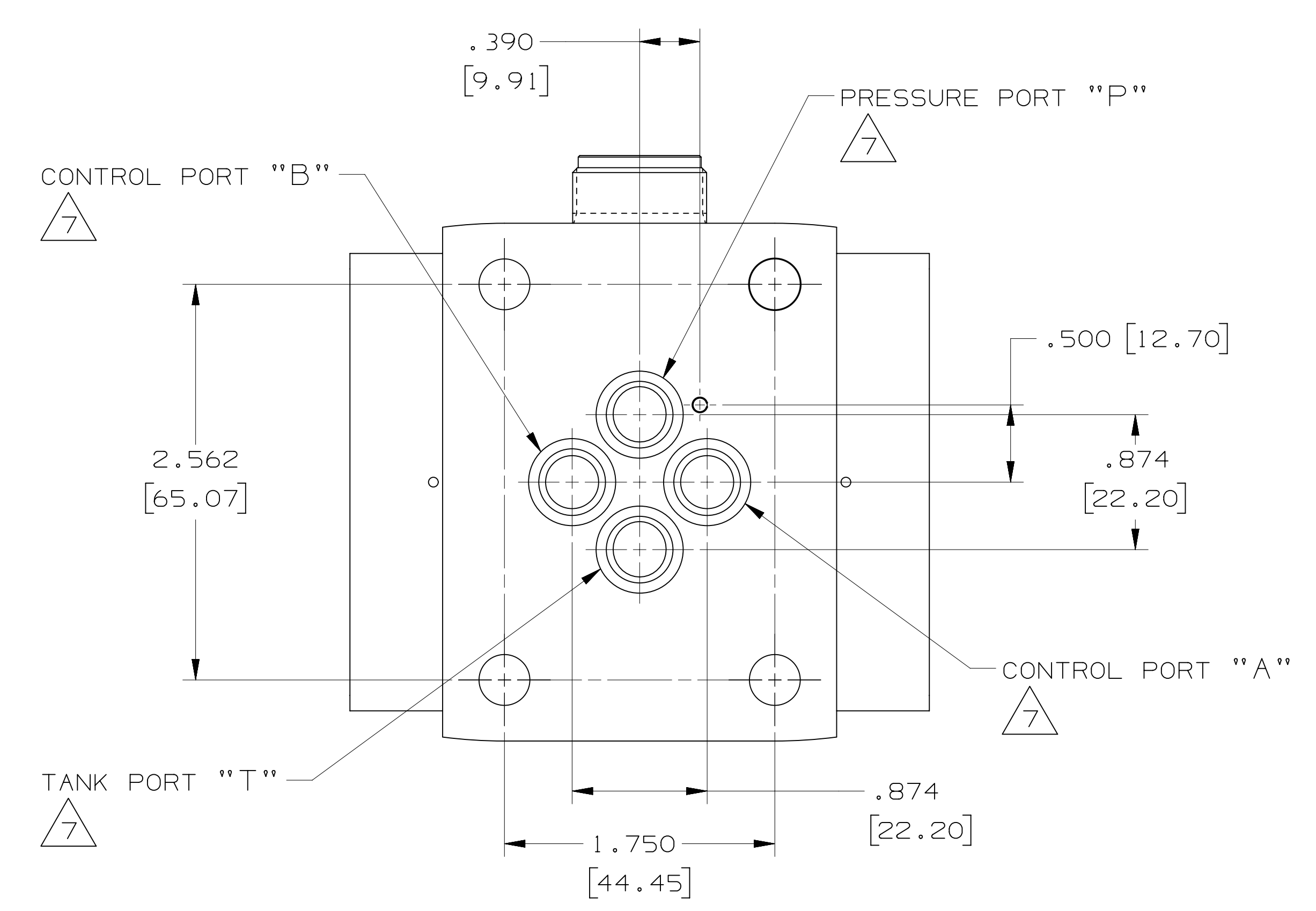
NOTES:

1. FLUID:
TYPE: DEPENDENT ON SEAL MATERIAL: SEE TYPE CODE POSITION "8" ON SHEET 2.
RECOMMENDED VISCOSITY RANGE AT 38°C [100°F]: 10 TO 97 mm²/s (cSt).
CLEANLINESS LEVEL PER ISO 4406:
NORMAL LIFE: 17/14/11
LONG LIFE: 15/13/10
2. STANDARD TEMPERATURE RANGE: -65°F TO +275°F [-54°C TO +135°C].
3. MAXIMUM OPERATING PRESSURE: SEE TYPE CODE POSITION "3" ON SHEET 2.
4. STANDARD POLARITY OPERATION: (REFERENCE ELECTRICAL SCHEMATIC ON SHEET 2)
FLOWOUT PORT "B" WILL RESULT WHEN:
SERIES: A+, D-, B & C TIED
PARALLEL: A & C TIED +, B & D TIED -
SINGLE: A+, B- OR C+, D-
PUSH-PULL: B & C +, A & D -, CURRENT C-D > B-A
5. ELECTRICAL CONNECTOR: SEE TYPE CODE POSITION "9" ON SHEET 2.
6. DIMENSIONS ARE FOR REFERENCE ONLY.
DIMENSIONS IN BRACKETS [] ARE IN MILLIMETERS.
7. PORTS P, T, A, B:
□ ϕ .563 [14.30] ∇ .055 [1.40].
O-RINGS: .426 [10.82] I.D. X .070 [1.78] CROSS SECTION (UNIVERSAL SIZE -013).
8. FOR INFORMATION/INSTRUCTION ON THE FOLLOWING, REFER TO:
"760 SERIES INSTALLATION AND OPERATION INSTRUCTION" (CDS6541), AVAILABLE ON www.moog.com/installation.
A.) NULL ADJUSTMENT.
9. SURFACE TO WHICH VALVE IS MOUNTED REQUIRES $\sqrt{32}$ [0.8], \square .001 [0.025].
10. SUGGESTED MOUNTING SCREWS: .312-18 X 1.750 LONG [M8 X 45 LONG] SOCKET HEAD CAP SCREWS.
11. FOR ACCESSORIES AND SPARE PARTS SEE 760 SERIES CATALOG (CDL6335) ON www.moog.com.

OPTIONAL TALL MOTOR CAP
OPTIONAL PIGTAIL CONFIGURATION
(DETAILS PER CUSTOMER SPECIFICATION)



REFERENCE VIEW



REFERENCE MOUNTING PATTERN SPECIFICATION
ISO 10372-04-04-0-92

CONNECTOR ORIENTATION OVER CONTROL PORT "B"
OPTIONAL CONNECTOR ORIENTATION OVER CONTROL PORT "A" (180°) WOULD YIELD THE SAME DIMENSIONS
SEE TYPE CODE POSITION "9" ON SHEET 2

CONNECTOR ORIENTATION OVER PRESSURE PORT "P"
OPTIONAL CONNECTOR ORIENTATION OVER TANK PORT "T" (180°) WOULD YIELD THE SAME DIMENSIONS
SEE TYPE CODE POSITION "9" ON SHEET 2

INTERNATIONAL PART

LAST SECTION/DATUM		UNLESS OTHERWISE SPECIFIED PER MIL-STD-189 DIMENSIONS ARE IN INCHES PART TO BE FREE OF BURRS	INTERPRET DRAWING PER MIL-STD-189 DIMENSIONING AND TOLERANCING PER ASME Y14.5M-1994	CONTRACT NO.	MOOG INC.
THIRD ANGLE PROJECTION		ANGULAR: $\pm 0^\circ 30'$ FILLETS: $\frac{3}{16}$ RAD EDGES: $\frac{3}{16}$ RAD OR CHAM SURFACE: $\sqrt{125}$ PER ANSI Y14.75 & B46.1 CONCENTRIC DIAMETERS: $\sqrt{.008}$ DIN: ALL POINTS: 115° TAP ALL DIMENSIONS ARE IN INCHES		PREPARED: M. NEUREUTHER 20170338	MOOG INC., EAST AURORA, NY 14052
NEXT ASSEMBLY	USED ON			CHECKED: MDR ENGR	TITLE: INSTALLATION
				DES ENGR: M. LUDLOW 20170405	-760 & -760K SERIES
				PRD ENGR:	4-PORT
				APL ENGR:	SIZE: 3/2
				MFG:	CAGE CODE: E94697
				DUAL:	DWG NO.: CC32252
					SCALE: 3/2
					SHEET 1 OF 2

PART NO. CC32252

UNIGRAPHICS DATA BASE

TYPE CODE DESIGNATION - AS SHOWN ON NAMEPLATE OF SERVO VALVE.
(EXAMPLE: H19F0FM4VPH)

POSITION	1	2	3	4	5	6	7	8	9	10	11
CODE	H	1	9	F	0	F	M	4	V	P	H

POSITION "3" (PRESSURE RATINGS):

CODE	MAXIMUM DESIGN (OPERATING)			NORMAL TEST			PROOF		
	MPA	BAR	PSI	MPA	BAR	PSI	MPA	BAR	PSI
F (ALUMINUM BODY)	21.0	210	3000	21.0	210	3000	31.5	315	4500

POSITION "8" (SEAL MATERIAL):

CODE	MATERIAL
E	EPDM
N	NBR (BUNA)
V	FKM (VITON)
X	SPECIAL VERSION

POSITION "9" (VALVE CONNECTOR, TYPE AND ORIENTATION OVER PORT):

CODE	TYPE	ORIENTATION	MATES WITH
A	4 PIN MS THREADED	CONNECTOR OVER PORT A (C1)	MS3106-14S-2S OR EQUIVALENT
B	4 PIN MS THREADED	CONNECTOR OVER PORT B (C2)	MS3106-14S-2S OR EQUIVALENT
P	4 PIN MS THREADED	CONNECTOR OVER PORT P	MS3106-14S-2S OR EQUIVALENT
T	4 PIN MS THREADED	CONNECTOR OVER PORT T	MS3106-14S-2S OR EQUIVALENT
V	PYGMY CONNECTOR	B-SHELL CONNECTOR ANY ORIENTATION	PT06-8-4S OR PC06-8-4S
X	SPECIAL VERSIONS		
1	4 LEAD PIGTAIL	CONNECTOR OVER PORT B (C2)	N/A
3	4 LEAD PIGTAIL	CONNECTOR OVER PORT P	N/A

POSITION "11" (SPECIAL VERSIONS):

CODE	VALVE VERSION
X	SPECIAL VERSION

