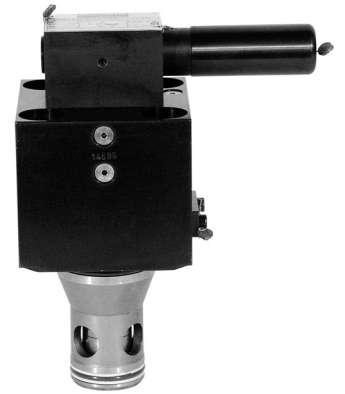


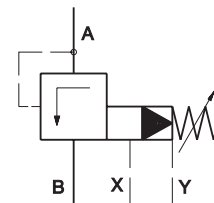
Pilot Operated Pressure Relief Valve DBV Series
according to the
"European Pressure Directive 97/23/EG, Module B+F",
ISO 7368 - sizes 25 and 32



DESCRIPTION

Pressure relief valve are used both as safety valves avoiding unacceptable high pressure as well as for adjusting the required pressure in a hydraulic system.

SYMBOL



SPECIFICATIONS

General data	Value	Unit	Specifications
Mode of construction	–	–	2/2-way-cartridge valve, seat valve. Hydraulically operated with pressure relief pilot valve
Mounting position	–	–	any
Ambient temperature range	min. max.	°C °C	+ 0 + 80
Hydraulic			
Operating pressure ports A, B A-port B-port	max. max.	bar bar	dynamic 350 for all sizes dynamic 350 for all sizes
Operating pressure ports X, Y X-port Y-port	max. max.	bar bar	dynamic 350 for all sizes; any backpressure on the Y-port has to be added to the setup-pressure. It is recommended to keep this pressure as low as possible, e.g. direct connected to drain-line (≈0bar). Setup Pressure + Tank Pressure = Cracking Pressure
Pressure fluid temperature range	min. max.	°C °C	- 10 + 80
Flow direction	–	–	A => B
Hydraulic Fluids	–	–	Hydraulic Oil (HL, HLP) according to DIN 51524; other fluids on request
Viscosity recommended max admissible		mm ² /s mm ² /s	15 ... 45 3 ... 380

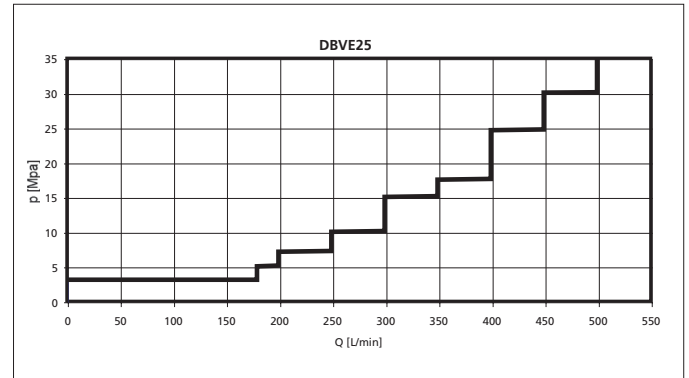
Filtration of the pressure fluid	Pilot valve	Cartridge
Recommended cleanliness class for normal operation	ISO 4406 < 17 / 14	ISO 4406 < 17 / 14
Filter rating recommended for normal operation	$\beta_{10} \geq 75$ (10 μm absolute)	$\beta_{10} \geq 75$ (10 μm absolute)

Nominal size			25	32			
max. permissible flow	Q _{max.}	L/min	500	750			
Pilot valve:			DBDP06				
Nominal flow at $\Delta p = 5$ bar	Q _N	L/min	1,5				
Weight	–	kg	7.4	8.0			

FLOW RANGES

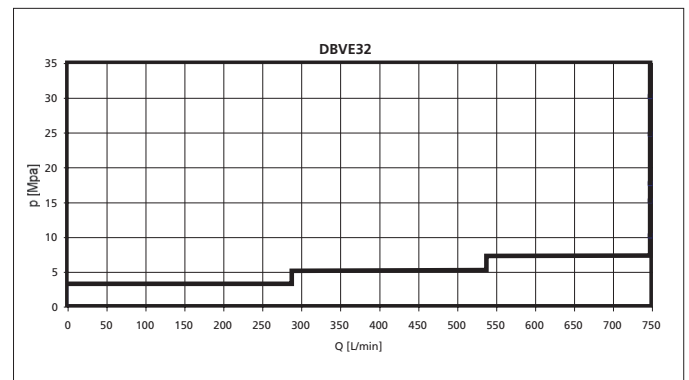
DBVE25

Pressure Range (p) [MPa]	Flow (Q) [L/min]
3.0...4.9	180
5.0...7.0	200
7.1...9.9	250
10.0...14.9	300
15.0...17.4	350
17.5...24.5	400
24.6...29.9	450
30.0...35.0	500



DBVE32

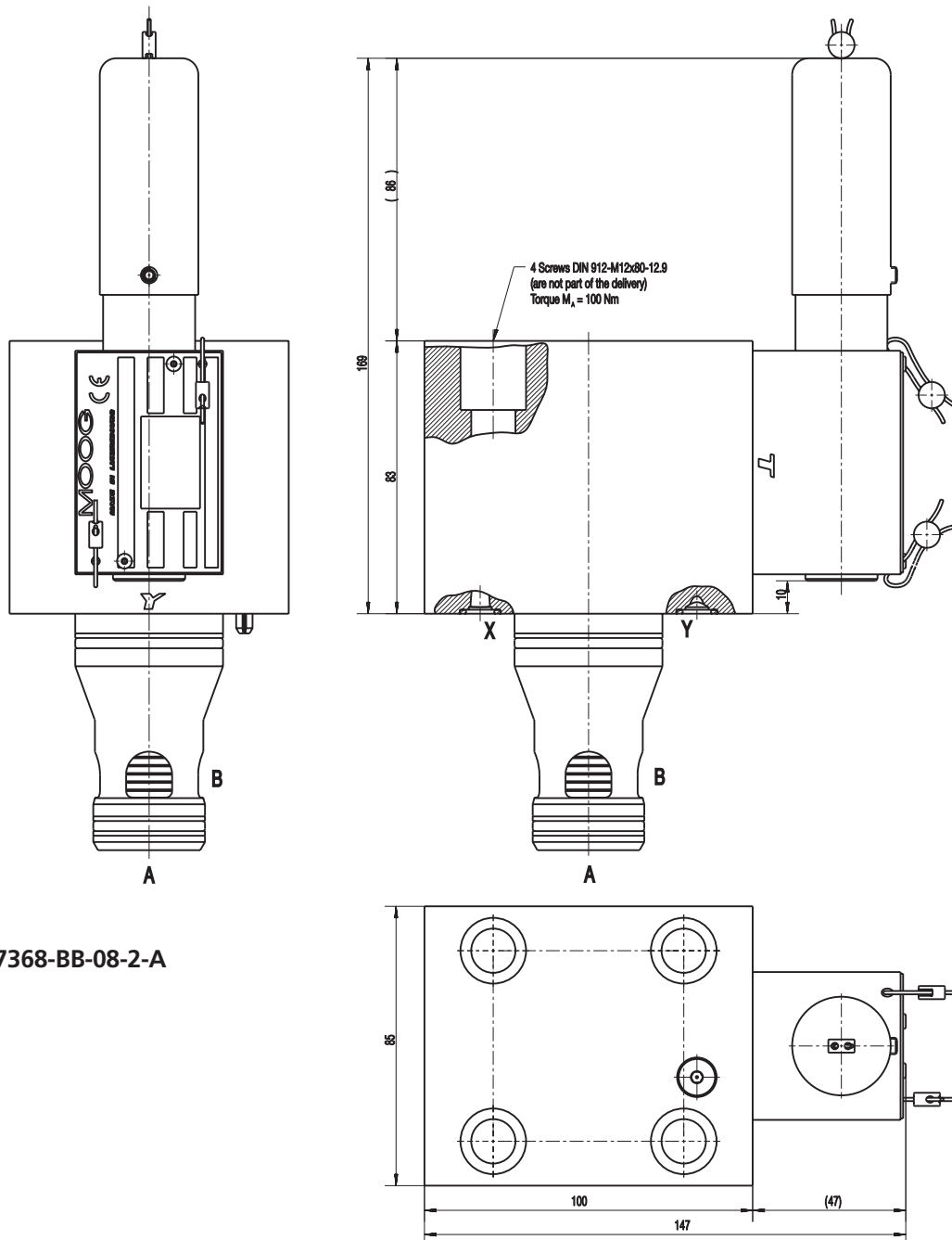
Pressure Range (p) [MPa]	Flow (Q) [L/min]
3.0...4.9	290
5.0...7.0	540
7.1...9.9	750
10.0...14.9	750
15.0...17.4	750
17.5...24.5	750
24.6...29.9	750
30.0...35.0	750



Values below the bold line can not be realized with the valves !

INSTALLATION DRAWINGS sizes 25 and 32

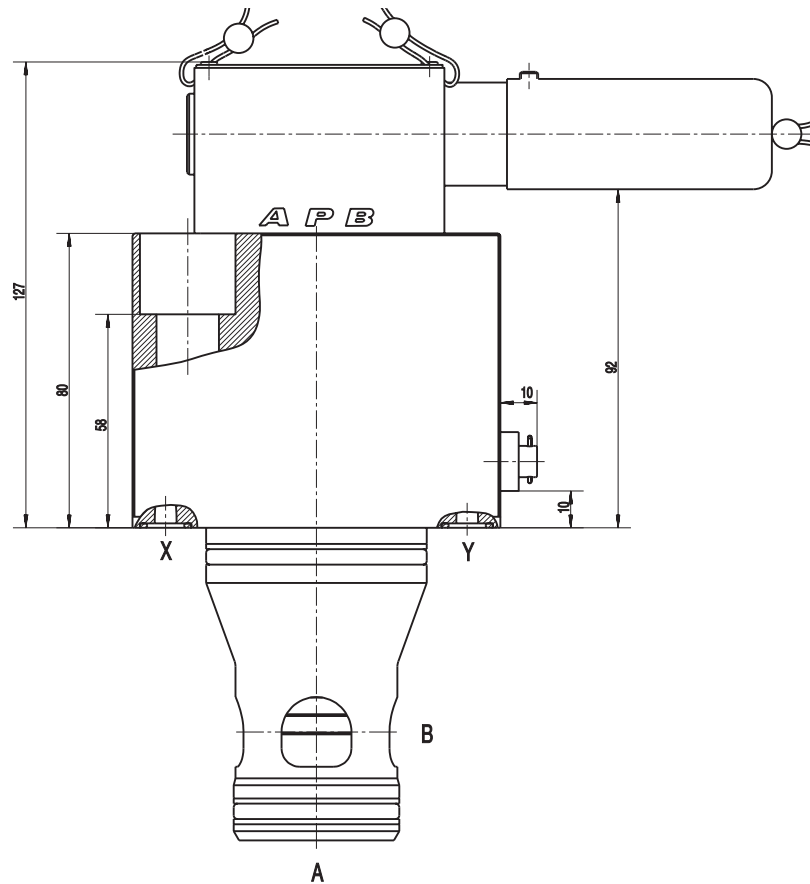
DBVE25



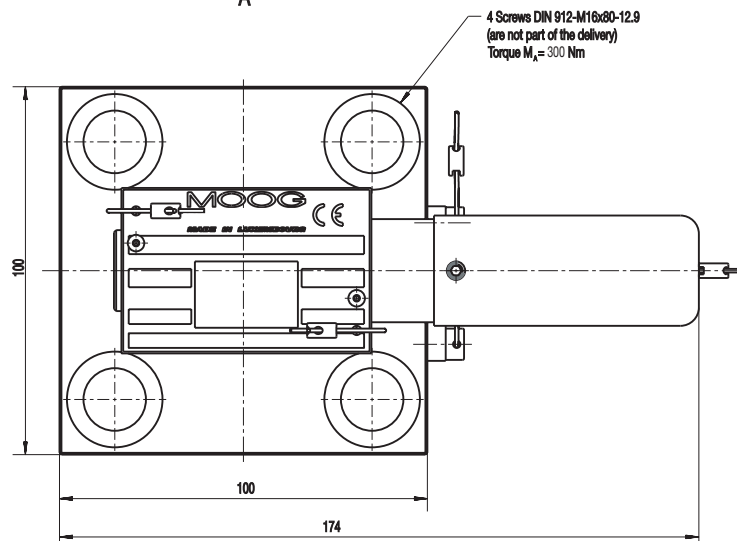
CAVITY: ISO 7368-BB-08-2-A

INSTALLATION DRAWINGS sizes 25 and 32

DBVE32



CAVITY: ISO 7368-BC-09-2-A



ORDERING INFORMATION

