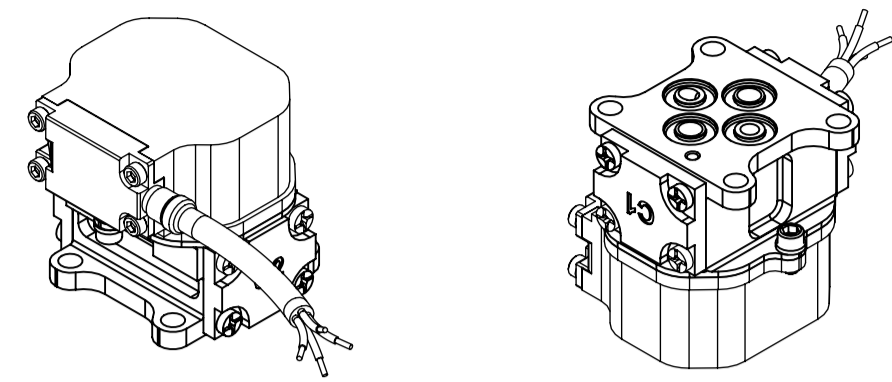
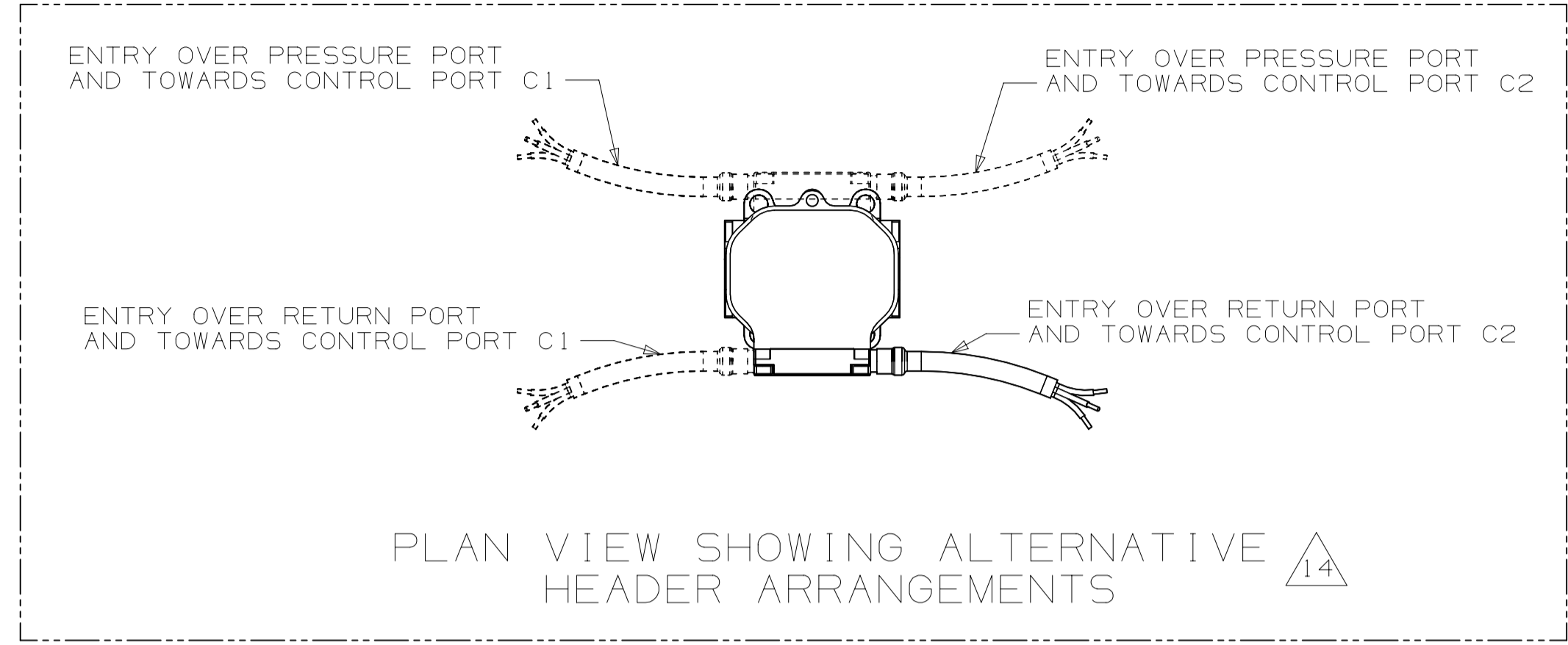
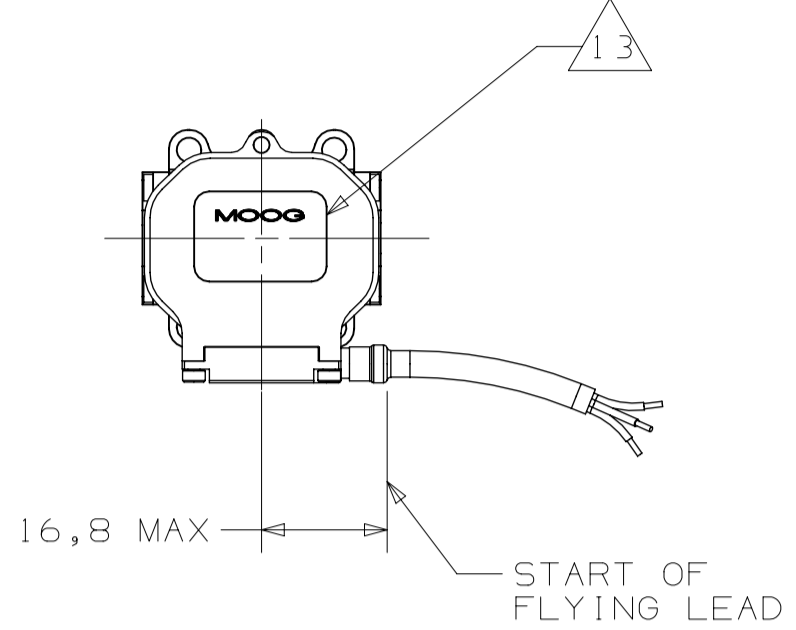
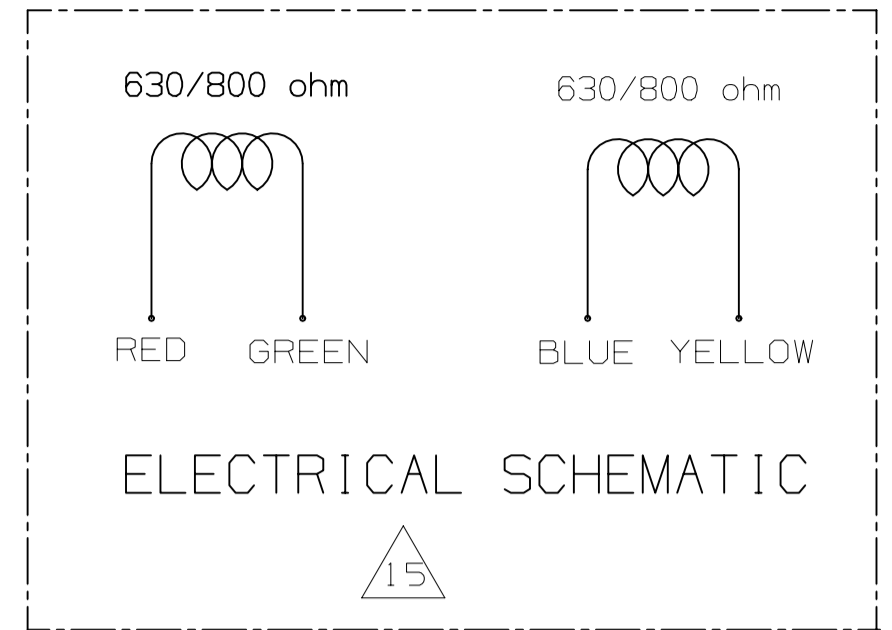


MOOG INTELLECTUAL AND PROPRIETARY INFORMATION LEGEND
 This technical Data/Drawing/Document contains information that is proprietary to, and is the express property of Moog Inc., or Moog Inc. subsidiaries except as expressly granted by contract or by operation of law and is restricted to use by only Moog employees and other persons authorized in writing by Moog or as expressly granted by contract or by operation of law. No portion of this Data/Drawing/Document shall be reproduced or disclosed or copied or furnished in whole or in part to others or used by others for any purpose whatsoever except as specifically authorized in writing by Moog Inc., or Moog Inc. subsidiaries.

| REVISIONS | | | | |
|-----------|-----|-------------|----------|----------|
| ZONE | REV | DESCRIPTION | DATE | APPROVED |
| | D | EGC103008 | 27/03/15 | CW/CW |
| | E | EGC103088 | 08/10/15 | JRS/JRS |
| | F | EGC103558 | 20/08/19 | JRS/JRS |
| | G | IGCNI1973 | 28/10/22 | CC/JRS |
| | H | IGCNI14506 | 28/07/23 | CC/JRS |

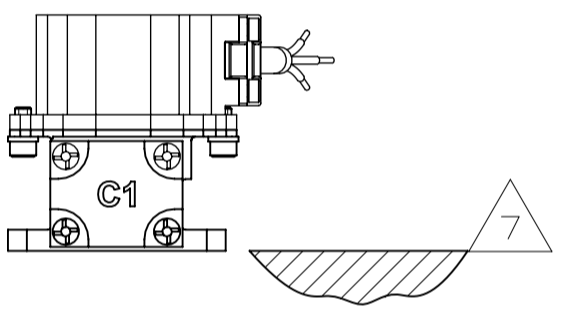


ISOMETRIC VIEWS

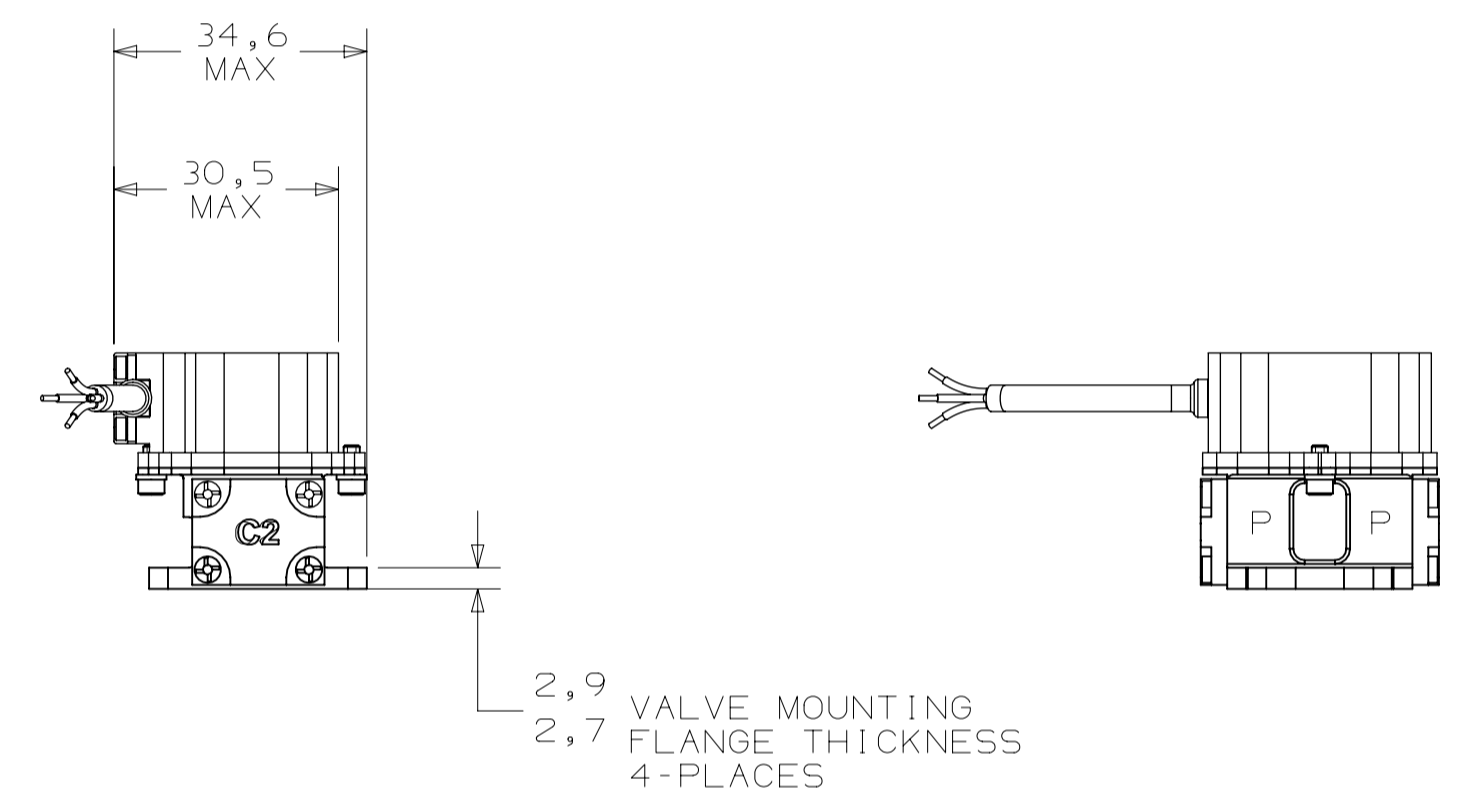
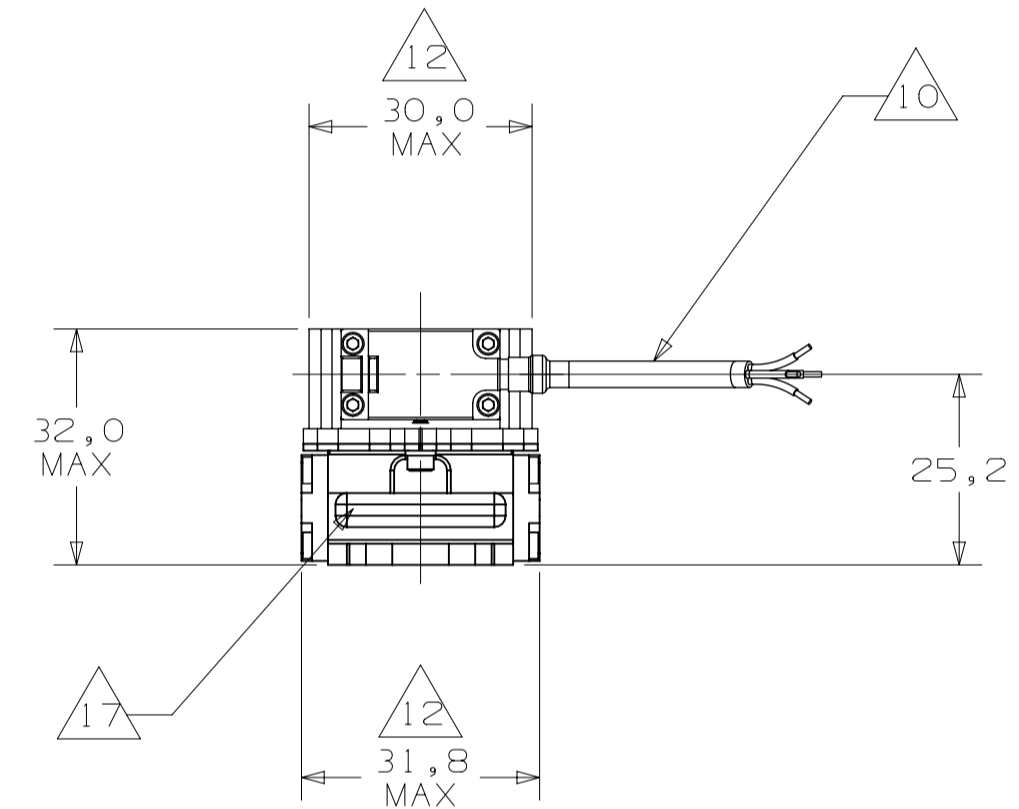


- NOTES:
- EXTERNAL MATERIALS: STAINLESS STEEL, CORROSION RESISTING STEEL ANODISED ALUMINIUM ALLOY
 - THREAD LOCKING: EXTERNAL FASTENERS SECURED WITH LOCKING COMPOUND.
 - PRESSURE, RETURN AND CONTROL PORTS COUNTERBORED TO ACCEPT O-RINGS OF 0.210" ID x 0.04" SECTION (5.334 mm ID x Ø1.016 mm SECTION).
 - OPERATING TEMPERATURE: -20 °C TO +135 °C (-4 °F TO 275 °F). SURVIVABILITY TEMPERATURE -40 °C TO 165 °C (-40 °F TO 329 °F).
 - VALVE MASS: 95 g DRY WITHOUT SHIPPING + HARDWARE 22 GRAMS/METRE OF CABLE.
 - SUPPLY PRESSURE: 140-280 BAR.

- VALVE IS TESTED AND CALIBRATED ON A NON-MAGNETIC MANIFOLD AND SHOULD BE MOUNTED LIKEWISE. SURFACE TO WHICH VALVE IS MOUNTED MUST BE FLAT WITHIN 0.010 AND HAVE A SURFACE FINISH OF 0.8 OR BETTER.



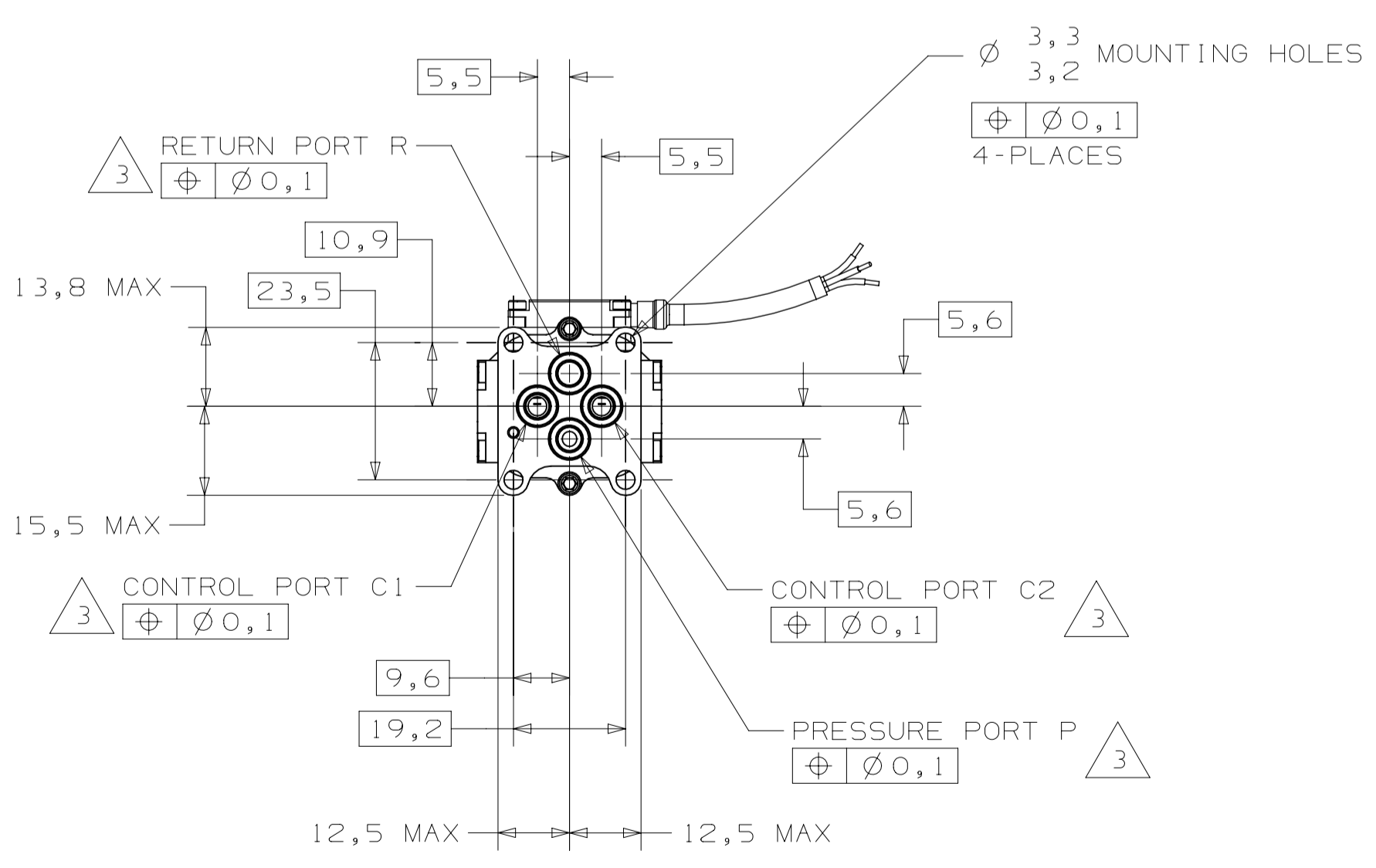
- FILTRATION: PILOT STAGE: 10 MICRON NOMINAL (15 MICRON ABSOLUTE). RECOMMENDED SYSTEM CLEANLINESS CLASS: NAS 1638 CLASS 3/150 4406 14/12/9 OR BETTER.



- VALVE RATED CURRENT: 10 mA INDIVIDUAL. MAX PERMISSIBLE OVERDRIVE 20%.
- FLYING LEAD: 24AWG x 640.0 mm MIN.

- ALL DIMENSIONS ARE NOMINAL UNLESS OTHERWISE STATED.
- DIMENSIONS INDICATED ARE SYMMETRICAL ABOUT CENTRE LINES WITHIN 0.5.
- MODEL NUMBER AND SERIAL NUMBER LASER ENGRAVED ON LABEL OR MOTORCAP AS APPLICABLE.
- ALTERNATIVE WIRE ARRANGEMENTS DEPENDANT ON MODEL NUMBERS.

- POLARITY: WITH RED +Ve AND GREEN -Ve OR BLUE +Ve AND YELLOW -Ve FLOW WILL OCCUR FROM C1. ELECTRICAL RESISTANCE GIVEN AT 25 °C, INCREASING BY 30% PER 100 °C TEMPERATURE RISE.



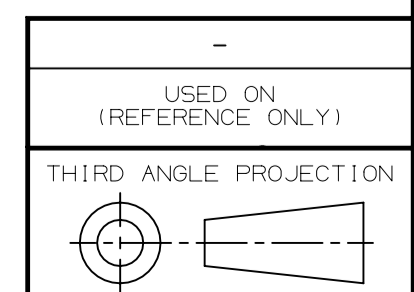
- RECOMMENDED HOLD DOWN SCREWS M3x0.5 SHCS A2 OR A4 GRADE 80. TORQUE TO 1.5Nm. MOOG PART No A75032-030-008 (8 mm LONG) OR A75032-030-010 (10 mm LONG).

- ALL NEW SERVO VALVES WILL HAVE 'N' MARKED IN AREA INDICATED. ON SUBSEQUENT UK SERVICES, THE SERVICE LEVEL WILL BE LASER ETCHED EACH TIME IT IS RETURNED.

- RECOMMENDED SPACING BETWEEN ADJACENT VALVES: 2 mm MINIMUM.
- VIBRATION SURVIVABILITY: 50 g SHOCK IN ANY DIRECTION. RECOMMENDED TO BE AV MOUNTED.

- ENVIRONMENTAL PROTECTION: IP65.
- MINIMUM FLUID VISCOSITY: 4 c.St AT WORKING TEMPERATURE.

- E024-9XX SERIES ONLY: THE ENDCAP MAY BE ENGRAVED WITH C1S OR C2S INSTEAD OF C1 OR C2 RESPECTIVELY. THE 'S' NOTATION INDICATES THE PORT HAVING POSITIVE FLOW IN THE ENERGIZED STATE. THE ENERGIZED STATE MAY BE VIA A 10 mA CURRENT AMPLIFIER OR A 12 V VOLTAGE SOURCE. IF OPERATING FROM A 12 V VOLTAGE SOURCE, INSTALLATION OF A FLY-BACK DIODE IS RECOMMENDED TO SUPPRESS BACK EMF.



UNLESS OTHERWISE SPECIFIED
 X.X ± 0.3 X.XX ± 0.15
 ANGULAR ± 3°
 FILLETS 0.5 MAX RAD
 EDGES 0.5 MAX RAD OR CHAMF
 SURFACE ROUGHNESS 3.2 ✓
 PER ANSI Y14.36 & B46.1
 ALL DIMENSIONS ARE IN MILLIMETERS
 PART TO BE FREE FROM BURRS

| | | | | | |
|---|-------------------------|-----------------------------|-----------|---|--------------|
| C24539 | | E024 SERIES INSTALLATION | | - | |
| QTY. REQ'D | PART OR IDENTIFYING NO. | NOMENCLATURE OR DESCRIPTION | FLAG NOTE | FIND NO. | |
| PARTS LIST | | | | | |
| APPLICABLE STANDARDS/SPECIFICATIONS: MOOG DRAWING REQUIREMENTS MANUAL REV. 17.10.02 DIMENSIONING & TOLERANCING | | CONTRACT NO. | | MOOG CONTROLS LTD MOOG MOOG CONTROLS LTD, TEWKESBURY, UK | |
| PREPARED R.RIVERS | | 03/10/02 | | TITLE | |
| CHECKED L.DITCHBURN | | 17/10/02 | | E024 SERIES INSTALLATION | |
| APP | - | - | - | SIZE | CASE CODE |
| APP | - | - | - | A1U3614 | DWG NO. |
| APP | - | - | - | SCALE | C24539 |
| APP | - | - | - | 1:1 | WT |
| APP | - | - | - | | SHEET 1 OF 1 |