

Slip Ring Capsules (Compact)

AC7036

Integrated AC6349 and AC6355 / AC7195 slip ring capsules for high circuit density

Description

A slip ring capsule can be used in any electromechanical system that requires unrestrained, intermittent, or continuous rotation while transferring power and / or data.

The AC7036 integrates two of our popular slip ring capsules, the AC6349 and AC6355, creating one compact assembly. Connecting hardware is used to combine these units by inserting the AC6355 / AC7195 in the bore of the AC6349. This combination provides a wide range of circuit capabilities up to 24 circuits rated at 15 amps and 36 or 56 circuits rated at 2 amps, in a compact 6.5 inch length and 3.1 inch diameter. The outer capsule features 6, 12, 18, or 24 circuits rated at 15 amps, while the inner capsule can be configured with 2 amp, 5 amp, 10 amp, or coax circuits.

Features

- Multiple circuit combinations
- High circuit density
- Precious metal contacts
- Speeds to 150 rpm
- Flying leads
- Rugged black anodized aluminum construction
- Available with Ethernet

Benefits

- Isolations between power (outer) and signal (inner)
- Tight packaging to fit the most demanding applications
- Low torque
- Built from readily available components for rapid delivery
- Rotor flange for ease of mounting



Typical Applications

- Gimble systems
- Packaging equipment
- Rotary tables
- Motion control systems
- Robotics

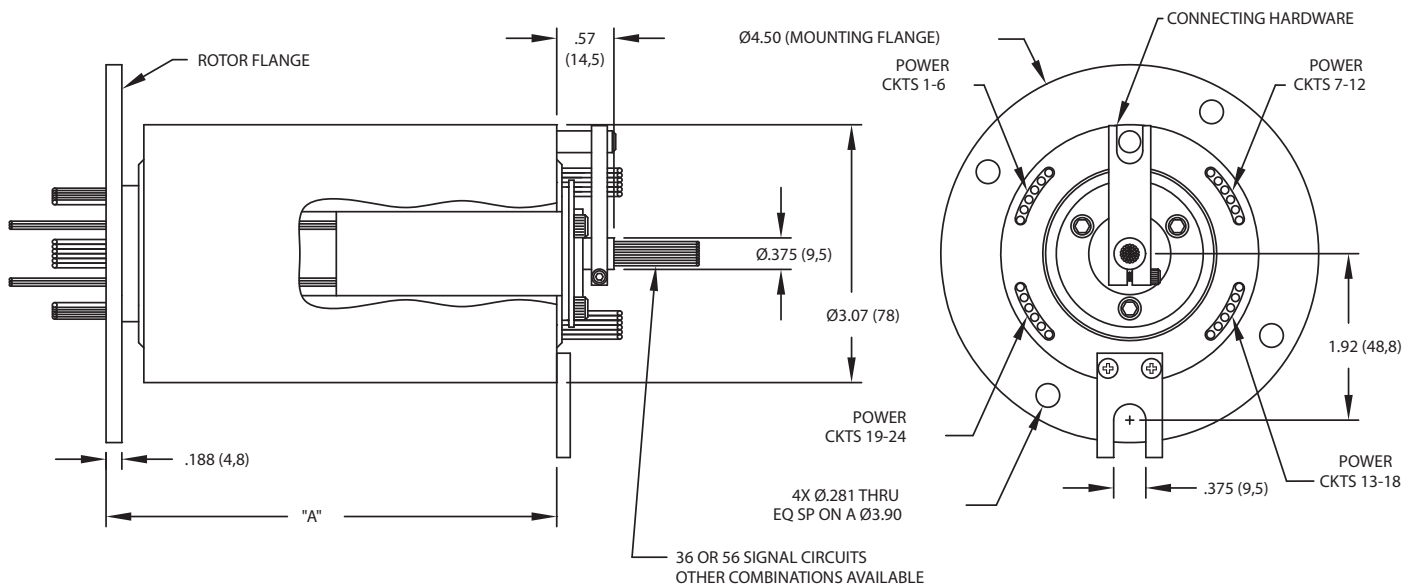
Slip Ring Capsules (Compact)

AC7036 Specifications		Options
Operating Speed	150 rpm*	<ul style="list-style-type: none"> • Seals • Harnessing • Available with Ethernet, contact factory
Number of Circuits	Variable, refer to AC6349 and AC6355 / AC7195 data sheets	
Lead Length	20 inch minimum	
Lead Size	14 AWG outer capsule, refer to AC6355 data sheet for inner	
Voltage	440 VAC outer capsule, 240 VAC inner capsule	
Operating Temp.	-40°C to +80°C	
Contact Material	Precious metal	
Current Rating	15 amps outer capsule (AC6349) 2, 5, 10 amp inner capsule (AC6355)	
Electrical Noise	60 milliohms max.	

*Please note that the operational life of the unit is dependent upon rotational speed, environment and temperature.

Part Number	Length "A"
AC7036-6	3.06 in (77,7 mm)
AC7036 - 12	4.24 in (107,7 mm)
AC7036 - 18	5.43 in (137,9 mm)
AC7036 - 24	6.62 in (168,1 mm)

AC7036 Dimensions



Dimensions in inches (millimeters)