

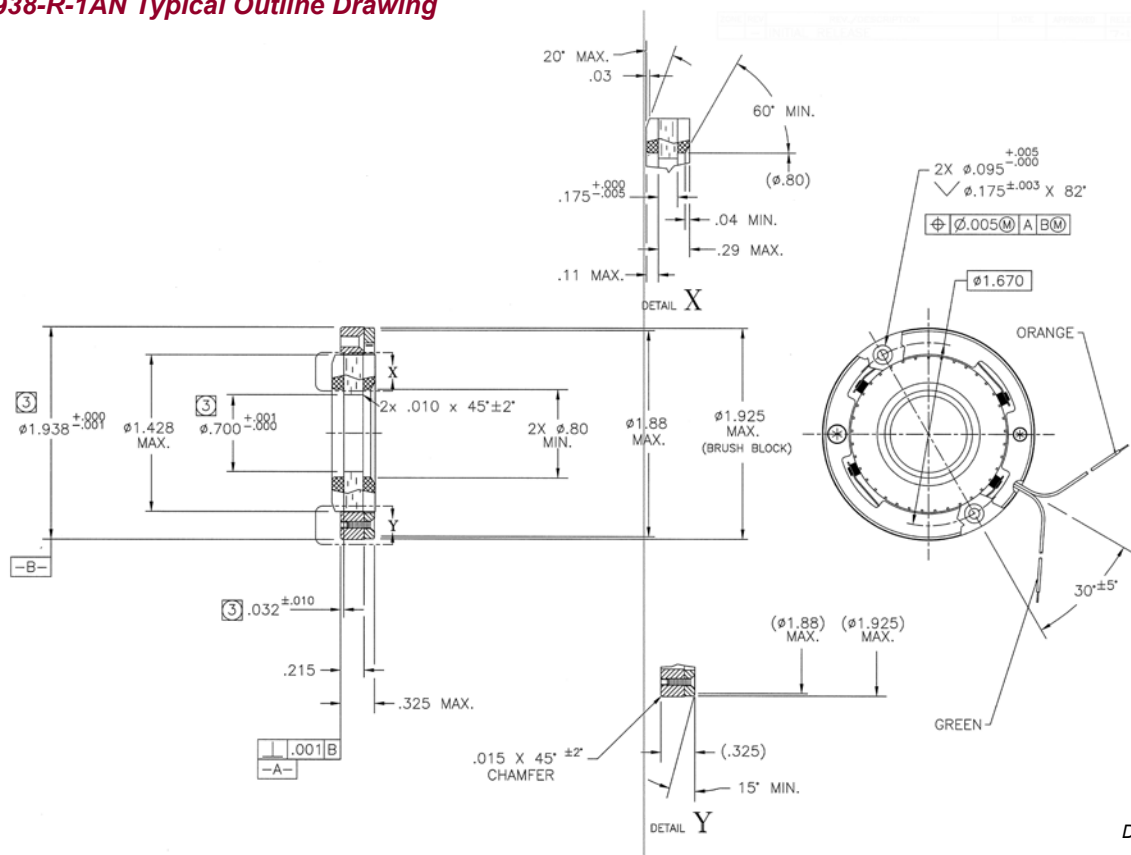
# D-1938-R-1AN Specifications

## D-1938-R-1AN SPECIFICATIONS @ 25°C

Size Constants	Value	Units
Peak Torque, $T_P$	12.9	oz-in
Motor Constant, $K_M$	2.8	oz-in/ $\sqrt{W}$
Number of Poles	6	
Weight	2.80	oz (nom)
Motor Inertia, $J_M$	0.0008	oz-in-s <sup>2</sup>
Friction Torque, $T_F$	0.65	oz-in
Electrical Time Constant, $\tau_E$	0.31	ms
Mechanical Time Constant, $\tau_M$	14.4	ms
Temperature Rise, Housed TPR <sup>1</sup>	19	°C/W
Winding Constants	Value	Units
Torque Sensitivity, $K_T$	15.9	oz-in/amp
Back EMF, $K_E$	0.112	V per rad/s
Terminal Resistance, $R_M$	32.8	ohms (nom)
Terminal Inductance, $L_M$	10	mH (nom)
Voltage, Stalled at Peak Torque, $V_P$	26.0	volts
Amps at Peak Torque, $I_P$	0.807	amps

Brush Motors

### D-1938-R-1AN Typical Outline Drawing



Dimensions are in inches