

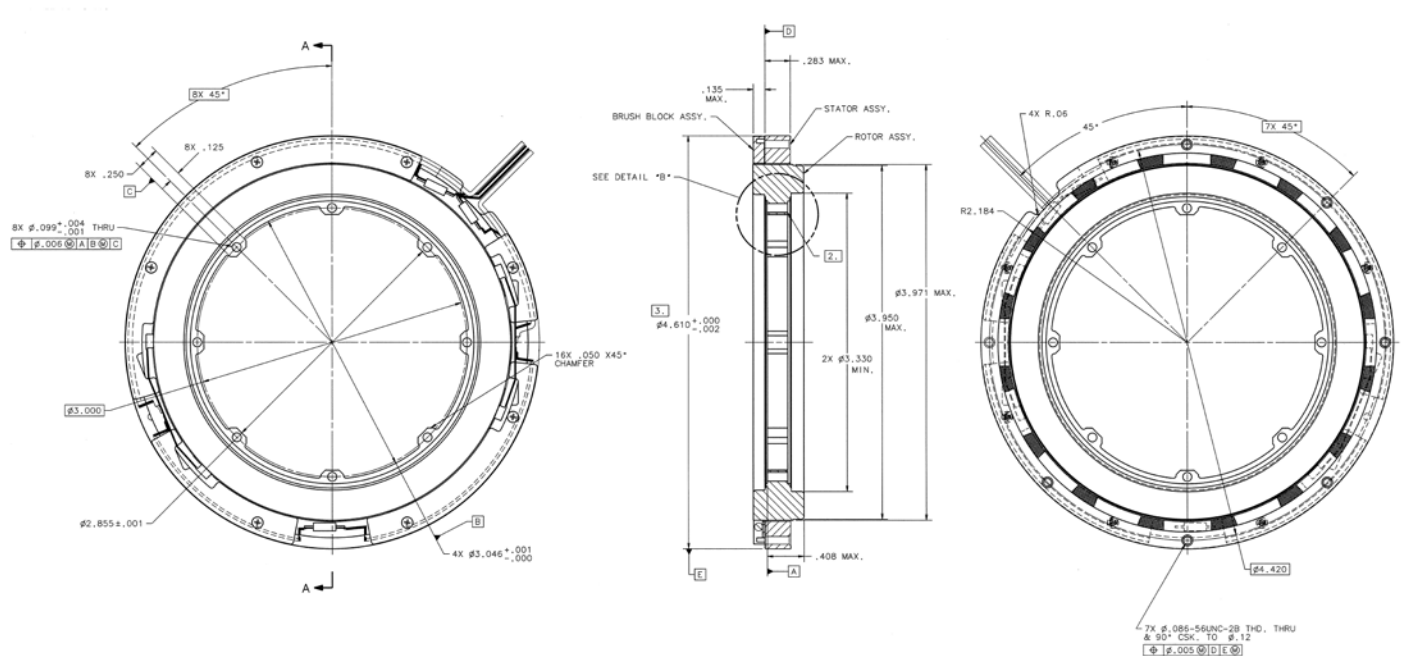
D-4610-B-1AS Specifications

D-4610-B-1AS SPECIFICATIONS @ 25°C

Size Constants	Value	Units
Peak Torque, T_P	260.6	oz-in
Motor Constant, K_M	21.02	oz-in/ \sqrt{W}
Number of Poles	16	
Weight	13	lb
Motor Inertia, J_M	5.958E+00	oz-in-s ²
Friction Torque, T_F	8.00	oz-in
Electrical Time Constant, τ_E	0.326	ms
Mechanical Time Constant, τ_M	19.09	ms
Temperature Rise, Housed TPR'	4.73	°C/W
Ripple Torque, T_R	7	max. avg. to peak (%)
Winding Constants	Value	Units
Torque Sensitivity, K_T	63.411	oz-in/amp
Back EMF, K_E	0.448	V per rad/s
Terminal Resistance, R_M	9.10	ohms (nom)
Terminal Inductance, L_M	2.96	mH (nom)
Voltage, Stalled at Peak Torque, V_P	37.4	volts
Amps at Peak Torque, I_P	260.619	amps

Brush Motors

D-4610-B-1AS Typical Outline Drawing



Dimensions are in inches