

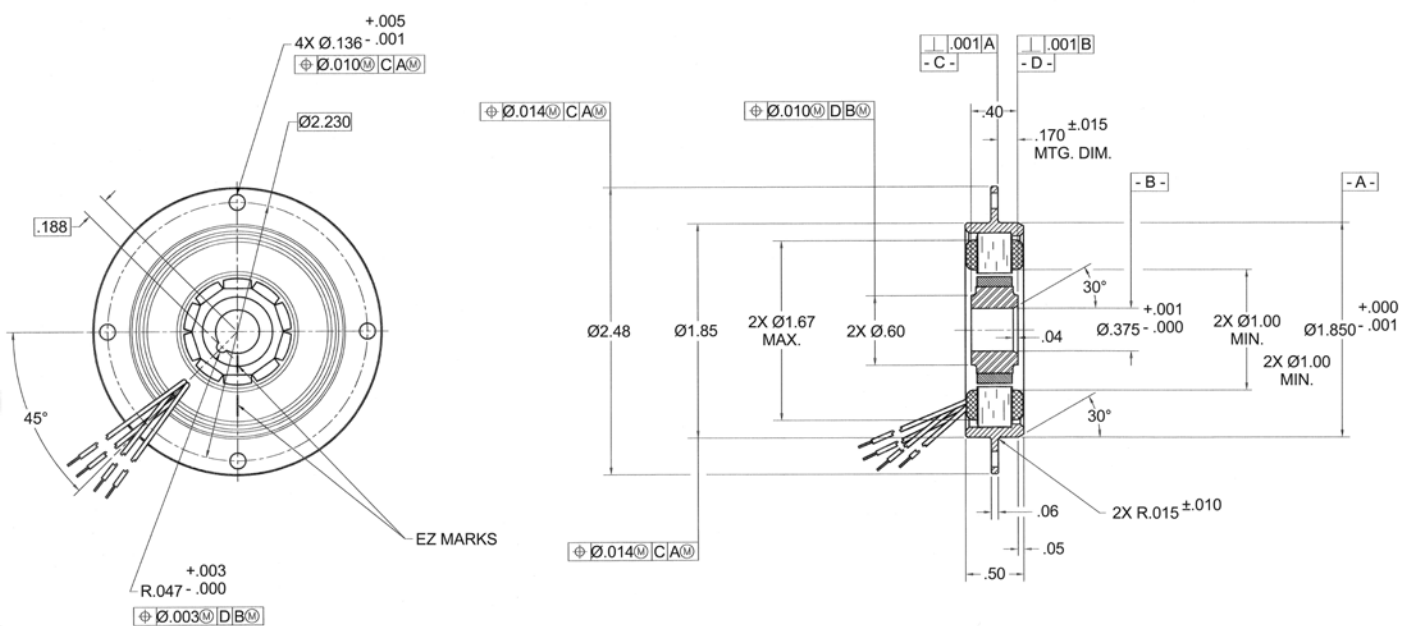
DB-2480-A-1ES Specifications

DB-2480-A-1ES SPECIFICATIONS @ 25°C

Size Constants	Value	Units
Peak Torque, T_P	7.4	oz-in
Motor Constant, K_M	2.73	oz-in/ \sqrt{W}
Number of Poles	10	
Number of Phases	1"Y"	
Weight	3.3	oz (nom)
Motor Inertia, J_M	2.90E-04	oz-in-s ²
Friction Torque, T_F	0.30	oz-in
Electrical Time Constant, τ_E	0.27	ms
Mechanical Time Constant, τ_M	5.52	ms
Temperature Rise, Housed TPR'	14.4	°C/W
Sensors	No	
Winding Constants	Value	Units
Torque Sensitivity, K_T	49.0	oz-in/amp
Back EMF, K_E	0.346	V per rad/s
Terminal Resistance, R_M	323	ohms (nom)
Terminal Inductance, L_M	88	mH (nom)
Voltage, Stalled at Peak Torque, V_P	48.5	volts
Amps at Peak Torque, I_P	0.15	amps

Direct Drive
Brushless Motors

DB-2480-A-1ES Typical Outline Drawing



Dimensions are in inches