

SRA-73810

High Definition (HD) video slip ring capsule

Description

A slip ring can be used in any electromechanical system that requires unrestrained, continuous rotation while transferring video, power and data from a stationary to a rotating structure.

The SRA-73810, provides HD-SDI communication in combination with 12, 2 amp connections. RG179 coax cable is provided for video transfer. The coax cable is supplied terminated with BNC connectors, ready to install.

The SRA-73810 utilizes gold-on-gold contact technology with very low electrical noise for un-paralleled performance and provides functional life that exceeds any competitive slip ring.

Features

- Compatible with:
 - SMPTE 259 M (SD-SDI)
 - SMPTE 292 M (HD-SDI)
- Speeds up to 250 RPM
- 12, 24, 36 and 48 inch lead lengths
- Available with one coax, and 12, 2 amp connections

Benefits

- Compact
- Plug-and-play coax connection



Typical Applications

- Security cameras
- Rotating video displays
- Camera jibs
- Pan / tilt video camera heads

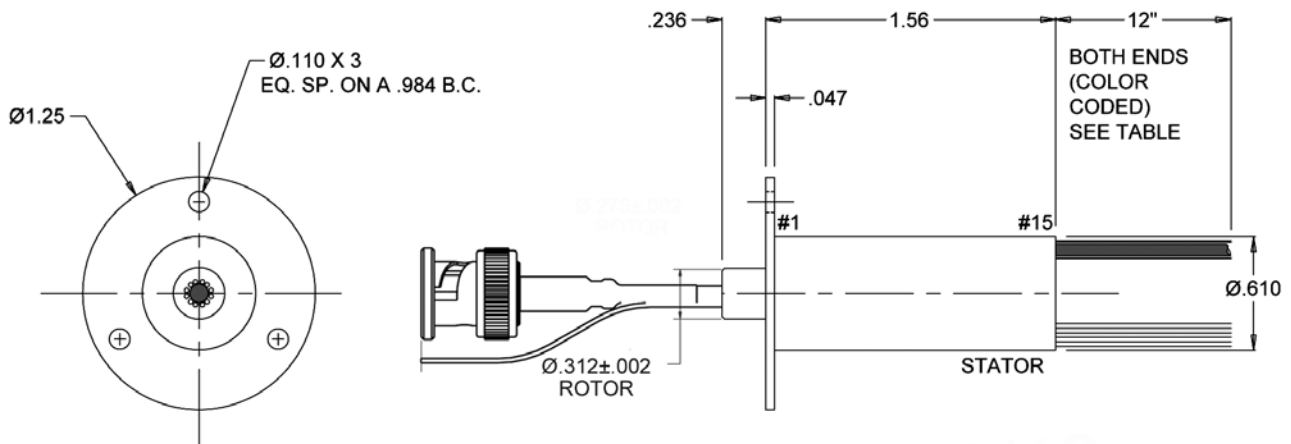
Ethernet and High Definition Slip Ring Capsules

SRA-73810 Specifications		Options
Operating Speed	250 rpm*	<ul style="list-style-type: none"> • Lead lengths of 12, 24, 36 and 48 inches • Flange / no flange
Video Connections	HD-SDI / SD-SDI	
Circuit Options	Video, 12, 2 amp	
Voltage	210 VDC / 240 VAC on standard circuits	
Temperature Range	-40°C to +80°C	
Contact Material	Gold	
Current Rating	2 amp (28 AWG)	

*Please note that the operational life of the unit is dependent upon rotational speed, environment and temperature.

Lead Wire Color Code			
Ring #	Color Code	Ring #	Color Code
1	BLK	9	GRY
2	BRN	10	WHT
3	RED	11	WHT-BLK
4	ORN	12	WHT-BRN
5	YEL	13	SHIELD
6	GRN	14	COAX
7	BLU	15	SHIELD
8	VIO		

SRA-73810 Dimensions



Dimensions in inches