

Ethernet and High Definition Slip Ring Capsules

SRA-73830

Ethernet slip ring capsule

Description

A slip ring can be used in any electromechanical system that requires unrestrained, continuous rotation while transferring power and data from a stationary to a rotating structure.

The SRA-73830 series provides a wide range of electrical connections, both power and signal to address today's increasing demand for reliable data transfer through a rotary interface. This design is well suited to applications where size is at a premium and reliability is a must.

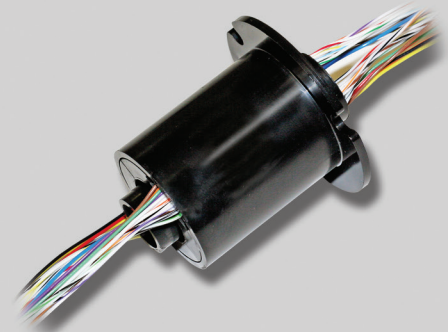
The assembly provides a flange for convenient mounting of the stationary housing and drive pins to turn the rotating portion. Housing is plastic (standard) with aluminum and stainless steel options when required for a more demanding application.

Features

- Wide range of electrical options including:
 - 2 amp and 8 amp connections
 - 100BaseT and 1000BaseT Ethernet
- Multiple circuit configurations

Benefits

- Compact
- Plug-and-play Ethernet
- Integrates capability of SRA-73683, SRA-73801 and SRA-73808 under one part number, plus 8 amp power capability
- Can be integrated with a fiber optic rotary joint, refer to SRA-73830-[]-JXX data sheet for details



Typical Applications

- Unmanned vehicles
- Robots
- Surveillance systems
- Automated machinery

MOOG

Ethernet and High Definition Slip Ring Capsules

Part Number	"L"	Power Ring Quantity 8 Amp Max. (18 AWG)	Signal Ring Quantity 2 Amp Max. (26 AWG)	Ethernet Pairs Quantity Twisted Pairs (28 AWG)
SRA-73830-6-130	06 .82 inches (20.828 mm)	1	3	-
SRA-73830-6-200		2	-	-
SRA-73830-6-002		-	-	2
SRA-73830-6-060		-	6	-
SRA-73830-12-004	12 1.12 inches (28.448 mm)	-	-	4
SRA-73830-12-062		-	6	2
SRA-73830-12-132		1	3	2
SRA-73830-12-202		2	-	2
SRA-73830-12-0120		-	12	-
SRA-73830-12-190		1	9	-
SRA-73830-12-260		2	6	-
SRA-73830-12-330		3	3	-
SRA-73830-12-400		4	-	-
SRA-73830-18-0122		18 1.42 inches (36.068 mm)	-	12
SRA-73830-18-192	1		9	2
SRA-73830-18-262	2		6	2
SRA-73830-18-332	3		3	2
SRA-73830-18-402	4		-	2
SRA-73830-18-064	-		6	4
SRA-73830-18-134	1		3	4
SRA-73830-18-204	2		-	4
SRA-73830-18-0180	-		18	-
SRA-73830-18-1150	1		15	-
SRA-73830-18-2120	2		12	-
SRA-73830-18-390	3		9	-
SRA-73830-18-460	4		6	-
SRA-73830-18-530	5		3	-
SRA-73830-18-600	6		-	-
SRA-73830-24-0182	24 1.72 inches (43.688 mm)		-	18
SRA-73830-24-1152		1	15	2
SRA-73830-24-2122		2	12	2
SRA-73830-24-392		3	9	2
SRA-73830-24-462		4	6	2
SRA-73830-24-532		5	3	2
SRA-73830-24-602		6	-	2
SRA-73830-24-0124		-	12	4
SRA-73830-24-194		1	9	4
SRA-73830-24-264		2	6	4
SRA-73830-24-334		3	3	4
SRA-73830-24-404		4	-	4
SRA-73830-24-0240		-	24	-
SRA-73830-24-1210		-	21	-
SRA-73830-24-2180		2	18	-
SRA-73830-24-3150		3	15	-
SRA-73830-24-4120		4	12	-
SRA-73830-24-590		5	9	-
SRA-73830-24-660		6	6	-
SRA-73830-24-730		7	3	-
SRA-73830-24-800		8	-	-

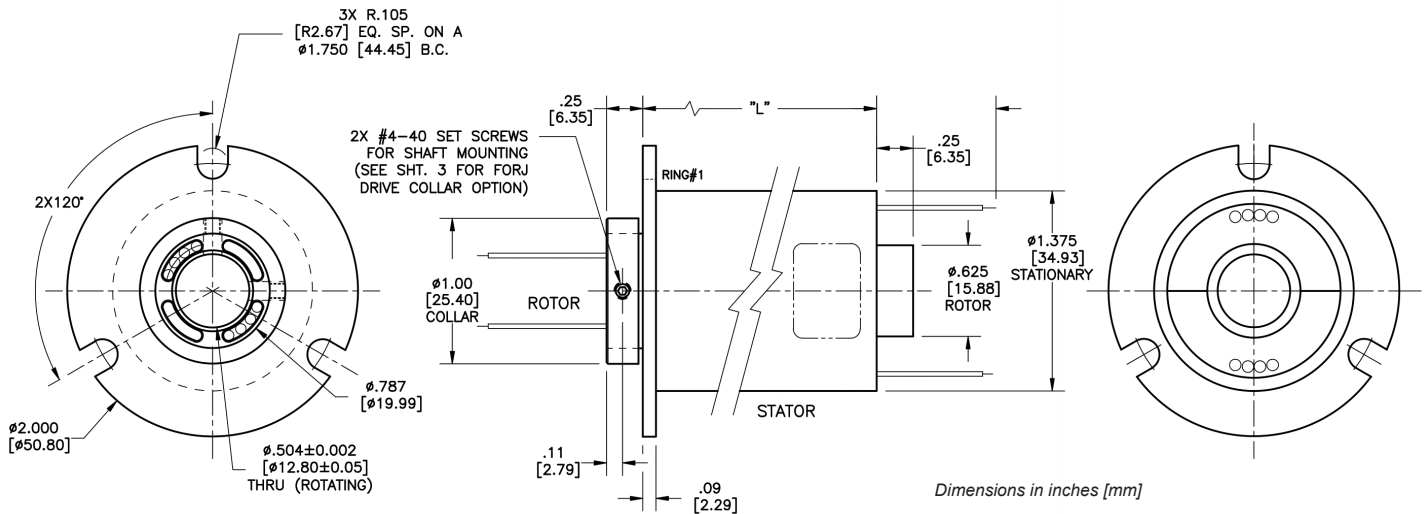
Ethernet and High Definition Slip Ring Capsules

SRA-73830 Specifications		Options
Operating Speed	250 rpm* continuous	<ul style="list-style-type: none"> • 4 body lengths dependent on slip ring circuits required • Lead wire of 12, 24, 36 and 48 inch available • Housing in aluminum or stainless steel • No flange on housing • Can be integrated with a fiber optic rotary joint, see SRA-73830-[]-JXX
Circuit Options	Ethernet (100BaseT, 1000BaseT) plus, 2 amp and 8 amp	
Voltage	210 VAC on power circuits	
Temperature Range	-40°C to +80°C	
Contact Material	Gold	

*Please note that the operational life of the unit is dependent upon rotational speed, environment and temperature.

NOTE: Contact factory for details on wire colors.

SRA-73830 Dimensions



NOTE: For required electrical and fiber optic rotary joint features, please define slip ring from the table above.

Part Number	Lead Length
SRA-73830	12 inch (304.8 mm)
SRA-73830-A	24 inch (609.6 mm)
SRA-73830-B	36 inch (914.4 mm)
SRA-73830-C	48 inch (1219.2 mm)

Specifications and information are subject to change without prior notice.
© 2016 Moog Inc. MS3162, rev. 6 08/18

Americas
1213 North Main Street
Blacksburg, VA 24060
United States

Tel: +1 540-552-3011
Fax: +1 540-557-6400

Asia-Pacific
Yokohama Nishiguchi KN Bldg. 10F
2-8-4 Kitasaiwai, Nishi-ku
Yokohama, Kanagawa 220-0004
Japan

Tel: +81 45-328-1803
Fax: +81 45-328-1801

Europe
30 Suttons Business Park
Reading, Berkshire RG6 1AW
United Kingdom

Tel: +44 (0) 118-966-6044
Fax: +44 (0) 118-966-6524

MOOG

www.moog.com

Email: mcg@moog.com