

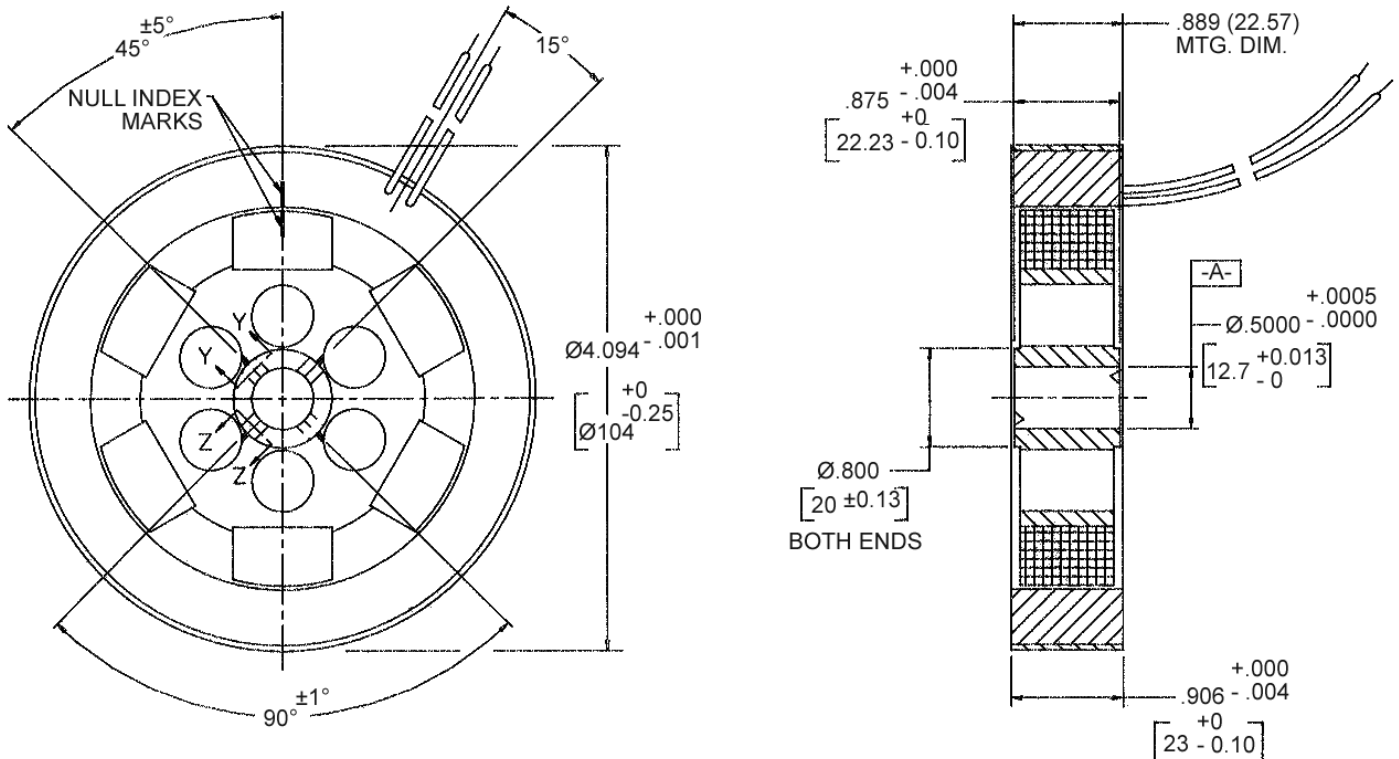
TD-4094-A-1 Specifications

TD-4094-A-1 SPECIFICATIONS @ 25°C

Size Constants	Value	Units
Peak Torque, T_P	144	oz-in
Motor Constant, K_M	21.5	oz-in/ \sqrt{W}
Excursion Angle	± 15	degrees
Number of Poles	6	
Weight	24	oz (nom)
Motor Inertia, J_M	7.60E-02	oz-in-s ²
Friction Torque, T_F	0.75	oz-in
Electrical Time Constant, τ_E	0.520	ms
Mechanical Time Constant, τ_M	23.42	ms
Winding Constants	Value	Units
Torque Sensitivity, K_T	48	oz-in/amp
Back EMF, K_E	0.338	V per rad/s
Terminal Resistance, R_M	5	ohms (nom)
Terminal Inductance, L_M	2.6	mH (nom)
Voltage, Stalled at Peak Torque, V_P	28	volts
Amps at Peak Torque, I_P	3	amps

Direct Drive
Brushless Motors

TD-4094-A-1 Typical Outline Drawing



Dimensions are in inches