

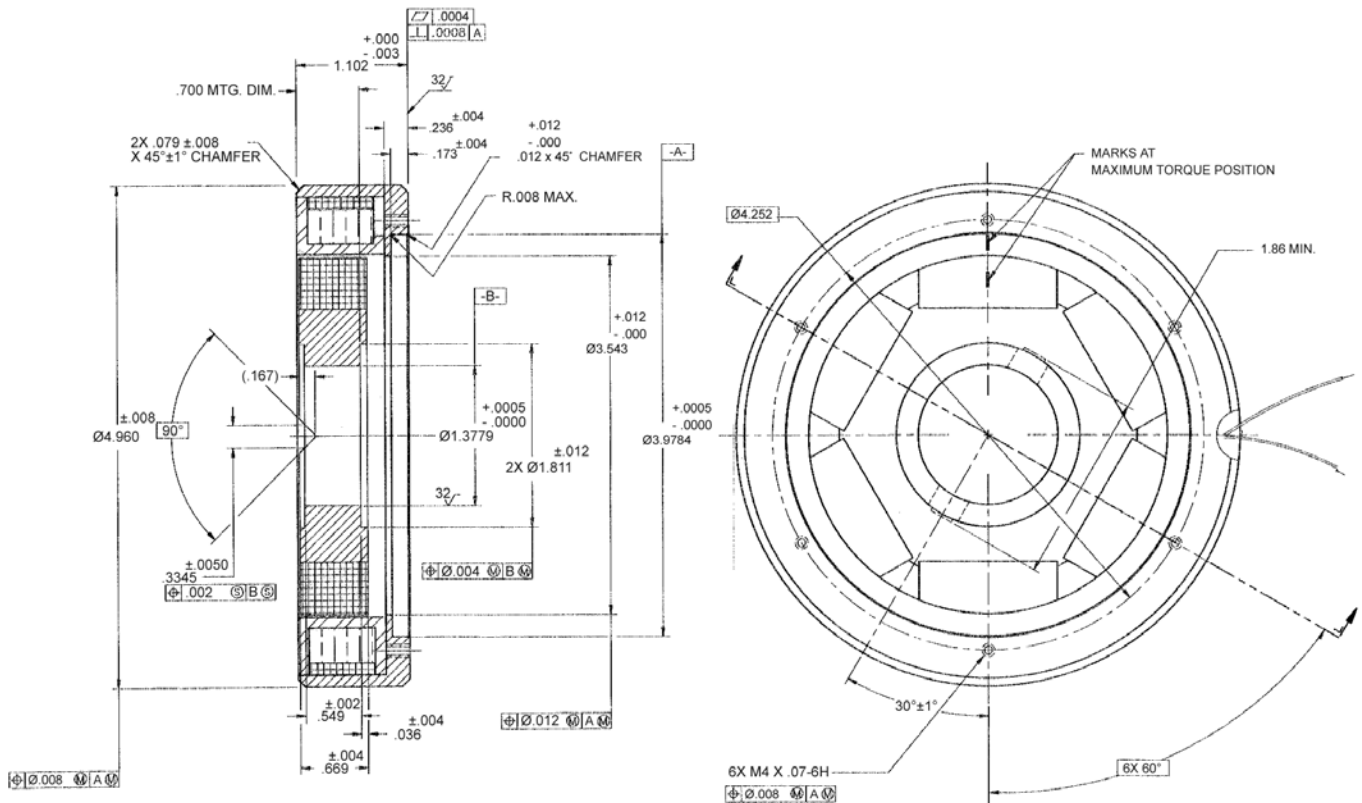
TD-4960-A-1 Specifications

TD-4960-A-1 SPECIFICATIONS @ 25°C

Size Constants	Value	Units
Peak Torque, T_P	120	oz-in
Motor Constant, K_M	35	oz-in/ \sqrt{W}
Excursion Angle	± 15	degrees
Number of Poles	6	
Weight	24	oz (nom)
Motor Inertia, J_M	1.19E-01	oz-in-s ²
Friction Torque, T_F	0.75	oz-in
Electrical Time Constant, τ_E	0.455	ms
Mechanical Time Constant, τ_M	13.76	ms
Winding Constants	Value	Units
Torque Sensitivity, K_T	82	oz-in/amp
Back EMF, K_E	0.58	V per rad/s
Terminal Resistance, R_M	5.5	ohms (nom)
Terminal Inductance, L_M	2.5	mH (nom)
Voltage, Stalled at Peak Torque, V_P	18	volts
Amps at Peak Torque, I_P	1.46	amps

Direct Drive
Brushless Motors

TD-4960-A-1 Typical Outline Drawing



Dimensions are in inches