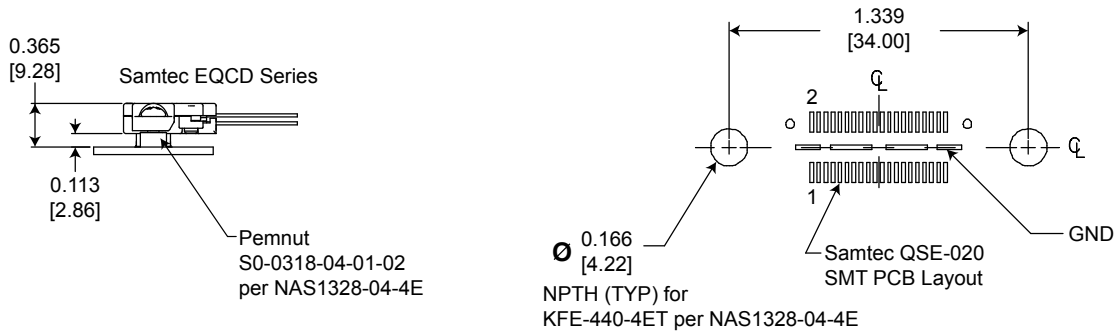


Hornet Series Five Port (4+1) Panel Mounted Ethernet Switch
 D38999 / SMT Connector, 10/100/1000Base-T

PRINTED CIRCUIT BOARD FOOTPRINT

Dimensions shown are: inches [mm]



Samtec EQCD PIN ASSIGNMENTS

PIN #	PORT #	FUNCTION	Input / Output	RJ-45 PIN#	Logic Family
1	4	MDA+	Input /Output	1	IEEE-802.3:2005 10/100/1000Base-T
3	4	MDA-	Input / Output	2	IEEE-802.3:2005 10/100/1000Base-T
5	4	MDB+	Input /Output	3	IEEE-802.3:2005 10/100/1000Base-T
7	4	MDB-	Input / Output	6	IEEE-802.3:2005 10/100/1000Base-T
9	4	MDC+	Input /Output	4	IEEE-802.3:2005 10/100/1000Base-T
11	4	MDC-	Input / Output	5	IEEE-802.3:2005 10/100/1000Base-T
13	4	MDD+	Input /Output	7	IEEE-802.3:2005 10/100/1000Base-T
15	4	MDD-	Input / Output	8	IEEE-802.3:2005 10/100/1000Base-T
17	0-4	*Reset_Low	$\overline{\text{Input}}$	N/A	LVTTL with Internal Pullup
19	0-4	V _{CC}	Input	N/A	N/A
20	0-4	V _{CC}	Input	N/A	N/A
21	0-4	V _{CC}	Input	N/A	N/A
22	0-4	V _{CC}	Input	N/A	N/A

*Reset Function: Logic "0" Input = Restart, registers initialized; Logic "1", Open or High Z Input = Normal Operation, all other pins are N/C, center slug is GND

ABSOLUTE MAXIMUM RATINGS

Absolute maximum limits mean that no catastrophic damage will occur if the product is subjected to these ratings for short periods, provided each limiting parameter is in isolation and all other parameters have values within the performance specification. It should not be assumed that limiting values of more than one parameter can be applied to the product at the same time.

Parameter	Symbol	Minimum	Typical	Maximum	Unit
Storage Temperature	T_s	-55		+100	°C

RECOMMENDED OPERATING CONDITIONS

Parameter	Symbol	Minimum	Typical	Maximum	Unit
Operating Temperature	T_A	-40		+85	°C
Supply Voltage xxxx-xxBx-xx xxxx-xxCx-xx	V_{CC}	+6.0 +4.5	12.0 5.0	+24.0 +5.5	VDC
Power Supply Noise (p-p)	N_p			200	mV

INTERFACE SPECIFICATIONS COMPLIANCE

Requirement	Feature	Condition	Notes
MIL-STD-883	ESD	Class II	2200V
MIL-STD-810	Vibration	3.8g ² /Hz	43G rms
MIL-STD-810	Shock	40.0g	6-9mS
MIL-STD-810	Immersion	1.0 meter	2 .0Hours
MIL-STD-1344	Flame Resistance	Method 1012	30 Seconds
MIL-STD-1344	Damp Heat	10 Cycles	24 Hours

MATERIALS

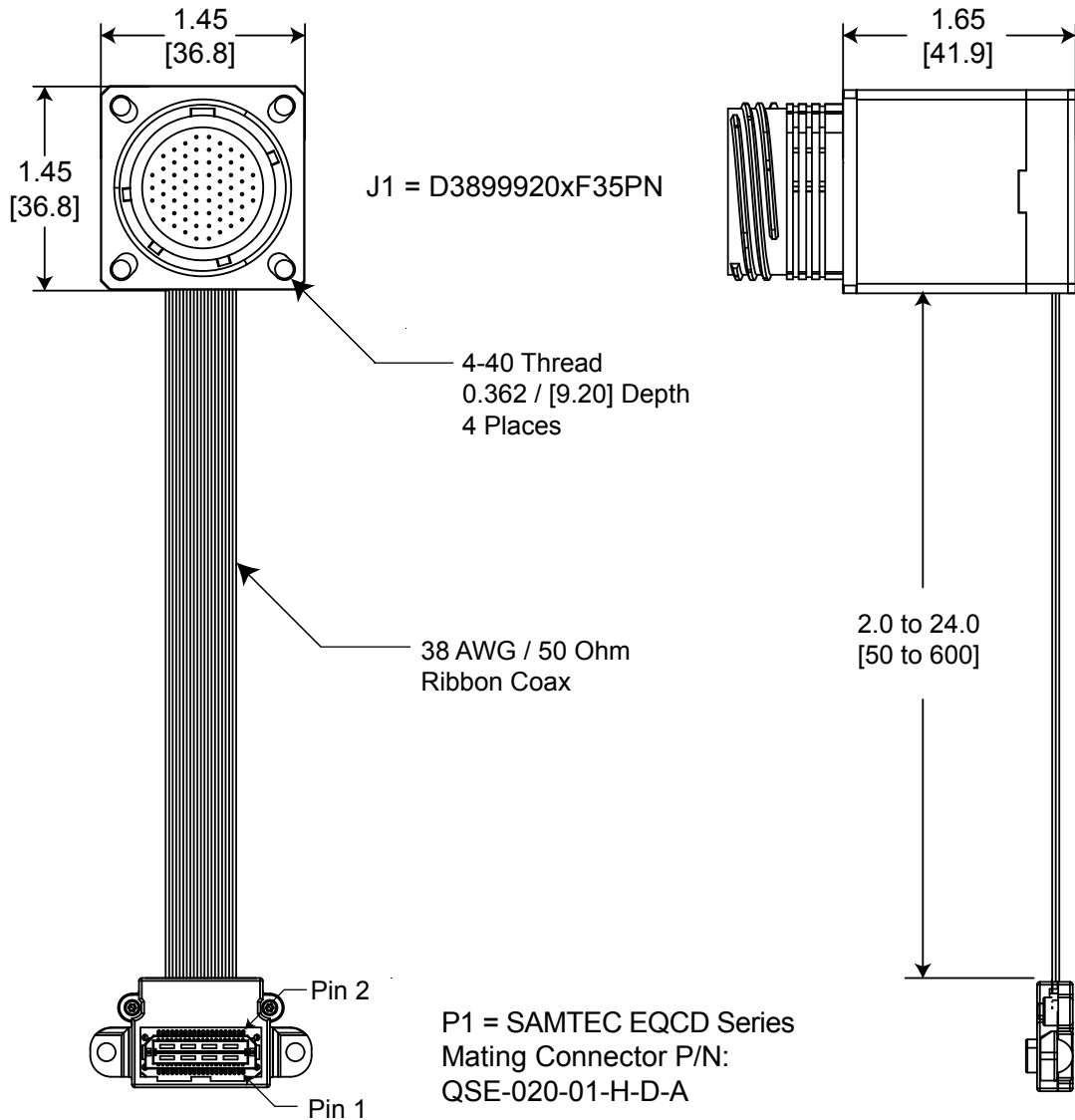
Item	Detail	Notes
Shell and housing	Aluminum Alloy	
Connector Shell Plating	OD-CD, NI or ZN-NI	
Insert	Thermoplastic	
Interfacial Seal	Elastomer	

Hornet Series Five Port (4+1) Panel Mounted Ethernet Switch
D38999 / SMT Connector, 10/100/1000Base-T

OUTLINE DIMENSIONS

Flange Mount Option

Dimensions shown are: inches [mm]



Part Number = *H41F-5UxT-Fx-Lxxx

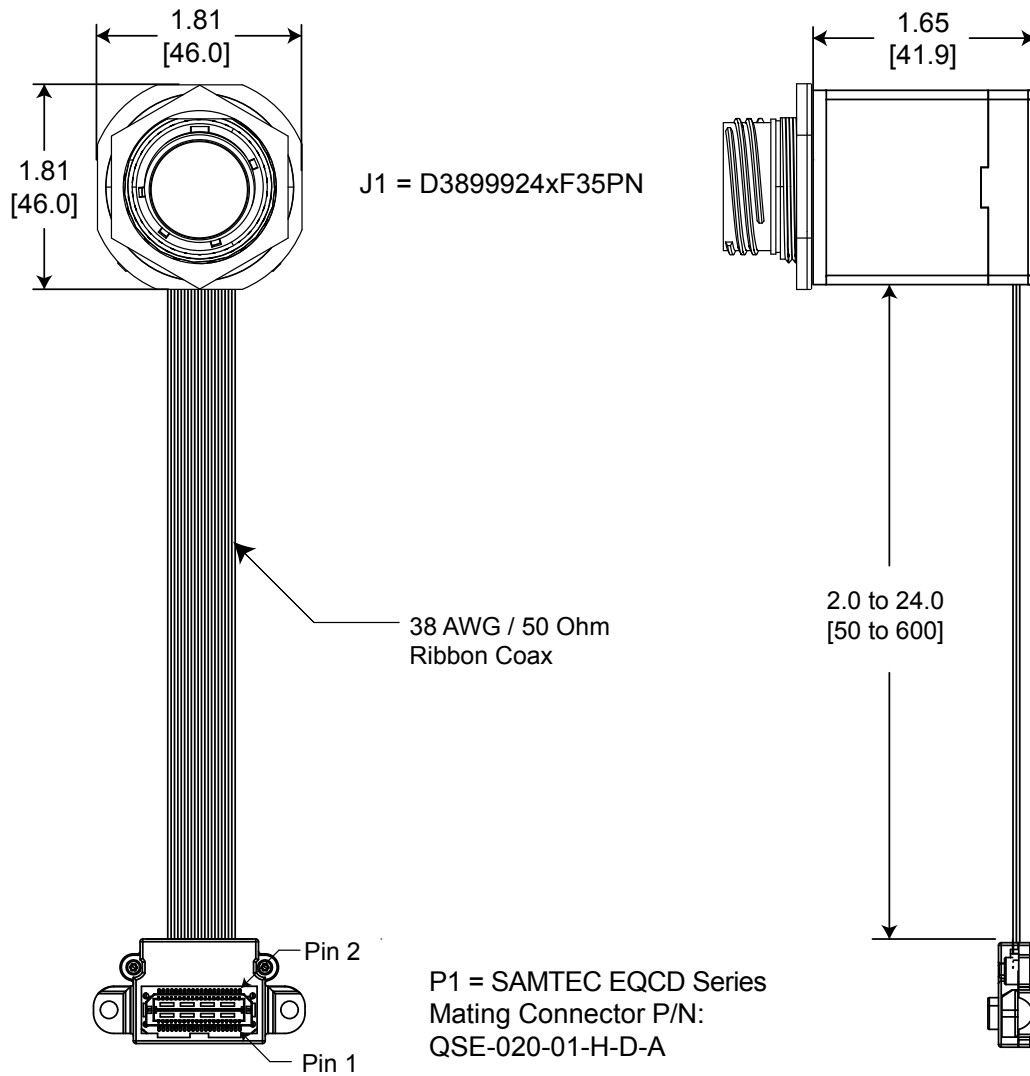
*see page 6 for standard part number / cable length options

Hornet Series Five Port (4+1) Panel Mounted Ethernet Switch
D38999 / SMT Connector, 10/100/1000Base-T

OUTLINE DIMENSIONS

Jam Nut Option

Dimensions shown are: inches [mm]



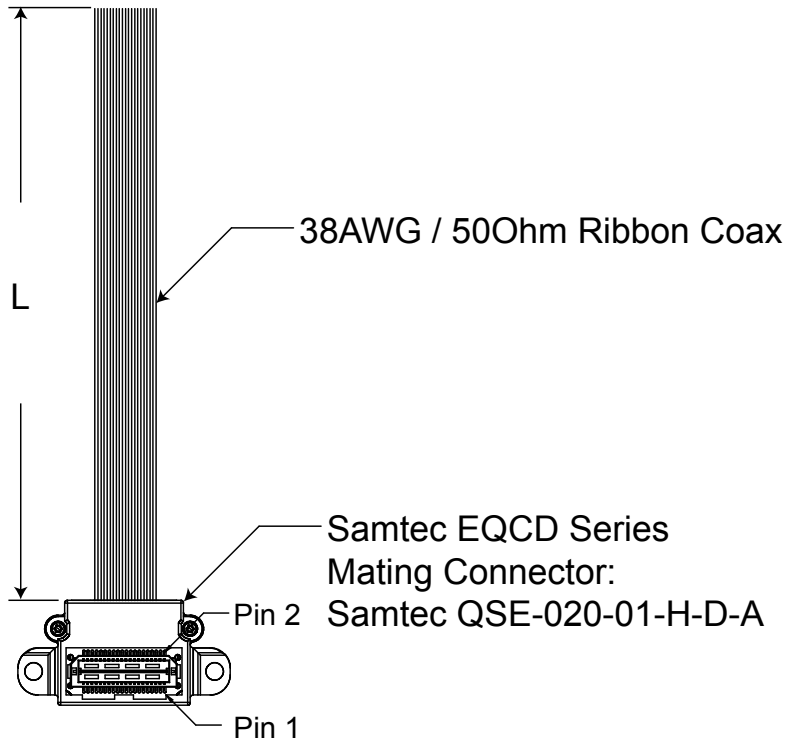
Part Number = *H41J-4UxT-Fx-Lxxx

*see page 6 for standard part number / cable length options

Hornet Series Five Port (4+1) Panel Mounted Ethernet Switch
 D38999 / SMT Connector, 10/100/1000Base-T

OUTLINE DRAWING

Cable Length Options



Ribbon Coax Cable Length Options

L (mm) +/- 6.0	ITEM #
50	xxxx-xxxx-xx-L050
100	xxxx-xxxx-xx-L100
150	xxxx-xxxx-xx-L150
200	xxxx-xxxx-xx-L200
250	xxxx-xxxx-xx-L250

Hornet Series Five Port (4+1) Panel Mounted Ethernet Switch
D38999 / SMT Connector, 10/100/1000Base-T

J1 / D38999/20xF35PA ELECTRICAL PIN FUNCTIONS - Continued on next page

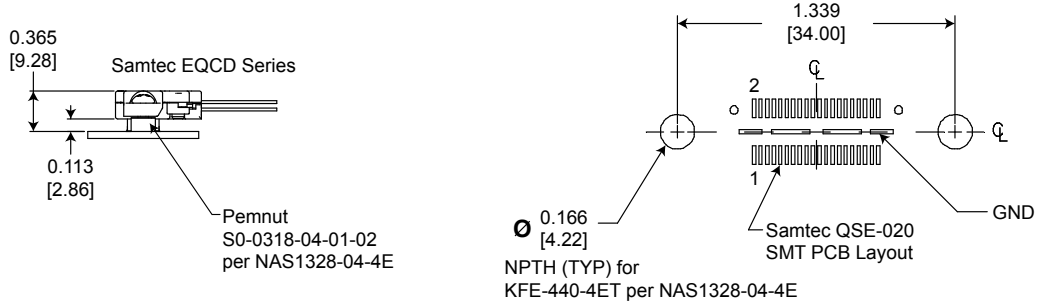
Pin #	Port #	Function	RJ-45 Eq. Pin #	Logic Family
1	N/A	N/C	N/A	Do Not Connect - Factory Use Only
2	N/A	N/C	N/A	Do Not Connect - Factory Use Only
3	N/A	N/C	N/A	Do Not Connect - Factory Use Only
4	N/A	N/C	N/A	Do Not Connect - Factory Use Only
5	0	MDD-	8	IEEE-802.3.2005 10/100/1000Base-T
6	0	MDD+	7	IEEE-802.3.2005 10/100/1000Base-T
7	1	MDD-	8	IEEE-802.3.2005 10/100/1000Base-T
8	1	MDD+	7	IEEE-802.3.2005 10/100/1000Base-T
9	N/A	N/C	N/A	Do Not Connect - Factory Use Only
10	N/A	N/C	N/A	Do Not Connect - Factory Use Only
11	0	MDC-	5	IEEE-802.3.2005 10/100/1000Base-T
12	0	MDC+	4	IEEE-802.3.2005 10/100/1000Base-T
13	N/A	N/C	N/A	Do Not Connect - Factory Use Only
14	1	MDC-	5	IEEE-802.3.2005 10/100/1000Base-T
15	1	MDC+	4	IEEE-802.3.2005 10/100/1000Base-T
16	N/A	N/C	N/A	Do Not Connect - Factory Use Only
17	N/A	N/C	N/A	Do Not Connect - Factory Use Only
18	0	MDB-	6	IEEE-802.3.2005 10/100/1000Base-T
19	0	MDB+	3	IEEE-802.3.2005 10/100/1000Base-T
20	N/A	N/C	N/A	Do Not Connect - Factory Use Only
21	N/A	N/C	N/A	Do Not Connect - Factory Use Only
22	1	MDB-	6	IEEE-802.3.2005 10/100/1000Base-T
23	1	MDB+	3	IEEE-802.3.2005 10/100/1000Base-T
24	N/A	N/C	N/A	Do Not Connect - Factory Use Only
25	N/A	N/C	N/A	Do Not Connect - Factory Use Only
26	0	MDA-	2	IEEE-802.3.2005 10/100/1000Base-T
27	0	MDA+	1	IEEE-802.3.2005 10/100/1000Base-T
28	N/A	N/C	N/A	Do Not Connect - Factory Use Only
29	N/A	N/C	N/A	Do Not Connect - Factory Use Only
30	N/A	N/C	N/A	Do Not Connect - Factory Use Only
31	1	MDA-	2	IEEE-802.3.2005 10/100/1000Base-T
32	1	MDA+	1	IEEE-802.3.2005 10/100/1000Base-T
33	N/A	N/C	N/A	Do Not Connect - Factory Use Only

Hornet Series Five Port (4+1) Panel Mounted Ethernet Switch
D38999 / SMT Connector, 10/100/1000Base-T

J1 D38999/20WF35PN ELECTRICAL PIN FUNCTIONS - Continued from the previous page

Pin #	Port #	Function	RJ-45 Pin #	Logic Family
35	2	MDA-	2	IEEE-802.3:2005 10/100/1000Base-T
36	2	MDA+	1	IEEE-802.3:2005 10/100/1000Base-T
37	N/A	N/C	N/A	Do Not Connect
38	N/A	N/C	N/A	Do Not Connect
39	N/A	N/C	N/A	Do Not Connect
40	3	MDA+	1	IEEE-802.3:2005 10/100/1000Base-T
41	3	MDA-	2	IEEE-802.3:2005 10/100/1000Base-T
42	N/A	N/C	N/A	Do Not Connect
43	N/A	N/C	N/A	Do Not Connect
44	2	MDB-	6	IEEE-802.3:2005 10/100/1000Base-T
45	2	MDB+	3	IEEE-802.3:2005 10/100/1000Base-T
46	N/A	N/C	N/A	Do Not Connect
47	N/A	N/C	N/A	Do Not Connect
48	3	MDB+	3	IEEE-802.3:2005 10/100/1000Base-T
49	3	MDB-	6	IEEE-802.3:2005 10/100/1000Base-T
50	N/A	N/C	N/A	Do Not Connect
51	N/A	N/C	N/A	Do Not Connect
52	2	MDC-	5	IEEE-802.3:2005 10/100/1000Base-T
53	2	MDC+	4	IEEE-802.3:2005 10/100/1000Base-T
54	N/A	N/C	N/A	Do Not Connect
55	3	MDC+	4	IEEE-802.3:2005 10/100/1000Base-T
56	3	MDC-	5	IEEE-802.3:2005 10/100/1000Base-T
57	N/A	N/C	N/A	Do Not Connect
58	N/A	N/C	N/A	Do Not Connect
59	2	MDD-	8	IEEE-802.3:2005 10/100/1000Base-T
60	2	MDD+	7	IEEE-802.3:2005 10/100/1000Base-T
61	3	MDD+	7	IEEE-802.3:2005 10/100/1000Base-T
62	3	MDD-	8	IEEE-802.3:2005 10/100/1000Base-T
63	N/A	N/C	N/A	Do Not Connect
64	N/A	N/C	N/A	Do Not Connect
65	N/A	N/C	N/A	Do Not Connect
66	N/A	N/C	N/A	Do Not Connect

Hornet Series Five Port (4+1) Panel Mounted Ethernet Switch
D38999 / SMT Connector, 10/100/1000Base-T
PRINTED CIRCUIT BOARD FOOTPRINT
Dimensions shown are: inches [mm]



Samtec EQCD PIN ASSIGNMENTS

PIN #	PORT #	FUNCTION	Input / Output	RJ-45 PIN#	Logic Family
1	4	MDA+	Input / Output	1	IEEE-802.3:2005 10/100/1000Base-T
3	4	MDA-	Input / Output	2	IEEE-802.3:2005 10/100/1000Base-T
5	4	MDB+	Input / Output	3	IEEE-802.3:2005 10/100/1000Base-T
7	4	MDB-	Input / Output	6	IEEE-802.3:2005 10/100/1000Base-T
9	4	MDC+	Input / Output	4	IEEE-802.3:2005 10/100/1000Base-T
11	4	MDC-	Input / Output	5	IEEE-802.3:2005 10/100/1000Base-T
13	4	MDD+	Input / Output	7	IEEE-802.3:2005 10/100/1000Base-T
15	4	MDD-	Input / Output	8	IEEE-802.3:2005 10/100/1000Base-T
17	0-4	*Reset_Low	$\overline{\text{Input}}$	N/A	LVTTTL with Internal Pullup
19	0-4	V _{CC}	Input	N/A	N/A
20	0-4	V _{CC}	Input	N/A	N/A
21	0-4	V _{CC}	Input	N/A	N/A
22	0-4	V _{CC}	Input	N/A	N/A

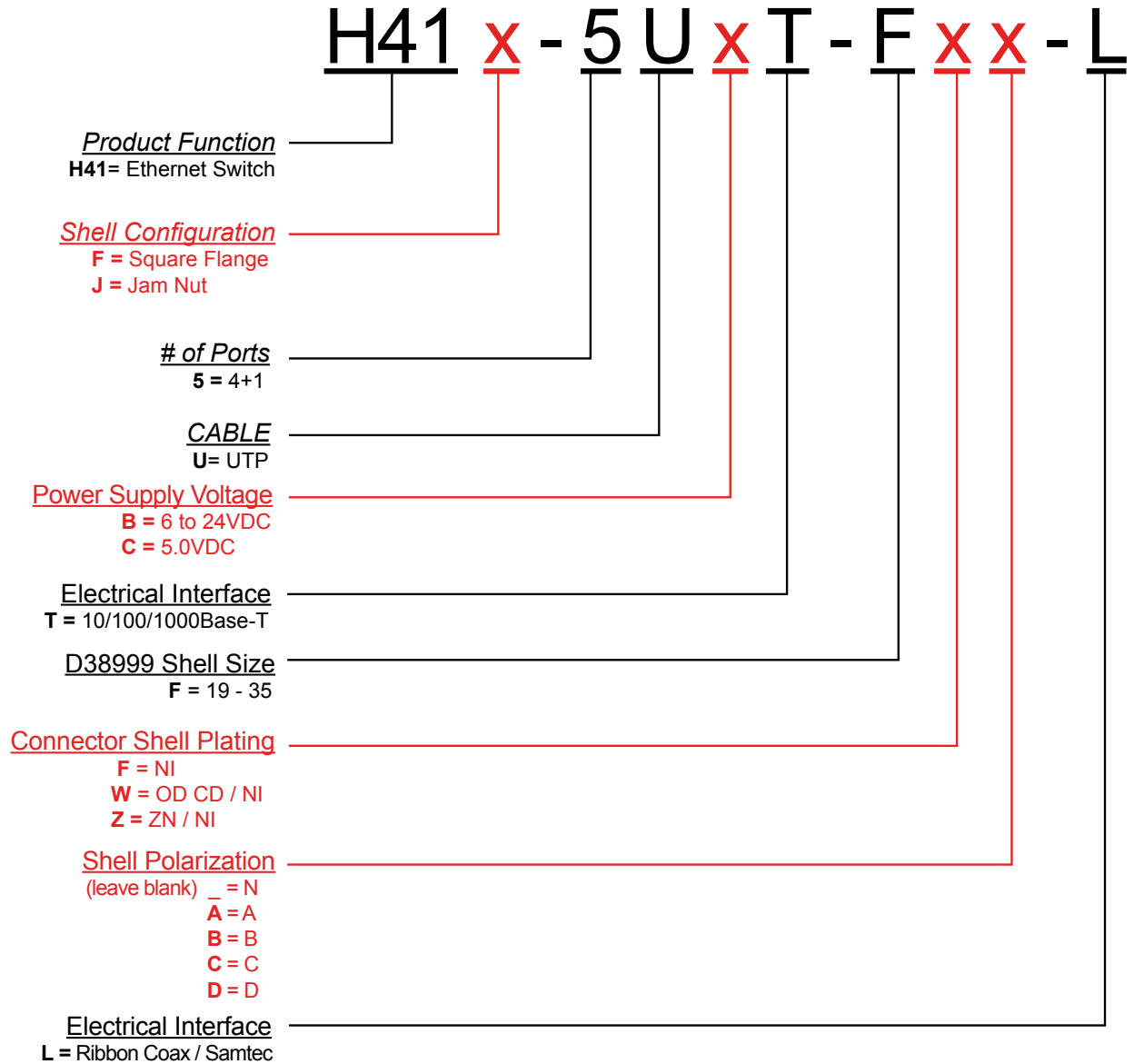
*Reset Function: Logic "0" Input = Restart, registers initialized; Logic "1", Open or High Z Input = Normal Operation, all other pins are N/C, center slug is GND

Hornet Series Five Port (4+1) Panel Mounted Ethernet Switch
 D38999 / SMT Connector, 10/100/1000Base-T

APPENDIX A1

PART NUMBER OPTIONS

Five (4+1) Port, 10/100/1000Base-T, Ethernet Switch



192 Bob Fitz Road, Johnson City, TN 37615
 salesmp@moog.com
 moogprotokraft.com

Product and company names listed are trademarks or trade names of their respective companies.