

Stingray Series

Fast Ethernet, M83526/21-02,
100Base-TX / FX Media Converter,
Multimode, 1310nM

Single Port, Jam Nut, USB Powered

FEATURES

- Compliant with IEEE-802.3:2005 Fast Ethernet 100Base-TX and 100Base-FX
- Optical fiber link distances up to 2.0Kilometers
- Ethernet Copper link distances up to 100 Meters (EIA/TIA Cat-5E)
- Operating temperature range from -40°C to +85°C
- Shock, vibration and immersion resistant per MIL-STD-810
- Zinc-Nickel finish meets stringent corrosion resistance specifications
- Aluminum housings are strong, durable and light weight
- M83526/21-02 compliant optical fiber connector interface
- MIL-DTL-38999 electrical interface for power and signals

APPLICATIONS

Stingray series bulkhead mounted Fast Ethernet media converters enable high speed network communications over long distances in harsh environments.

- Fast Ethernet switches and peripherals
- Telecom and datacom switch / router rack-to-rack links
- Storage or computation clusters

The M83526/21-02 and D38999 shells provide sealed interfaces that are water-tight to MIL-STD-810 when mated.

The multimode optical fiber interface supports applications where copper cable link distance, bandwidth, weight or bulk make the use of twisted pair, twinax or quadrax copper conductors unacceptable.



M83526/21-02 to MIL-DTL-38999 Optical Media Converter

DESCRIPTION

Stingray series Fast Ethernet media converters consist of optoelectronic transmitter and receiver functions integrated along with the 100Base-TX electrical to 100Base-FX optical media conversion circuitry into a jam-nut M83526/21-02 fiber optic connector assembly.

The optical transmitters are high output 1310nM devices. The optical receivers consist of InGaAs PIN and preamplifier assemblies and limiting post-amplifiers.

The optical interface to the Stingray series optical media converters is a M83526/21-02 jam nut fiber optic connector with an integral protection cap and lanyard.

The electrical interface to the Stingray series optical media converters is a MIL-DTL-38999/15-35 cylindrical connector enabling interconnection to a customer supplied cable assembly for USB power and Fast Ethernet signal sources.

Stingray series Fast Ethernet media converters are vibration isolated, environmentally hardened components designed for use in harsh environment applications.

- Sealed against liquid and solid contaminants
- Shock and vibration resistant

ORDERING INFORMATION

Application	Product Number
Single Port 100Base-TX/FX - 5.0VDC	P83J-2LCU-FZ-V
See Appendix A1 for more part number options	

ABSOLUTE MAXIMUM RATINGS

Absolute maximum limits mean that no catastrophic damage will occur if the product is subjected to these ratings for short periods, provided each limiting parameter is in isolation and all other parameters have values within the performance specification. It should not be assumed that limiting values of more than one parameter can be applied to the product at the same time.

Parameter	Symbol	Minimum	Typical	Maximum	Unit
Storage Temperature	T_S	-55		+100	°C
Supply Voltage	V_{CC}	-0.5		8.0	V
Data Input Voltage	V_I	-0.5		V_{CC}	V

RECOMMENDED OPERATING CONDITIONS

Parameter	Symbol	Minimum	Typical	Maximum	Unit
Operating Temperature	T_A	-40		+85	°C
Supply Voltage	V_{CC}	+4.5	+5.0	+5.5	VDC
Power Supply Noise (p-p)	N_P			200	mV

SPECIFICATIONS COMPLIANCE

Requirement	Feature	Condition	Notes
MIL-STD-883	ESD	Class II	2200V
MIL-STD-810	Vibration	3.8g ² /Hz	43G rms
MIL-STD-810	Shock	40.0g	6-9mS
MIL-STD-1344	Flame Resistance	Method 1012	30 Seconds
MIL-STD-1344	Damp Heat	10 Cycles	24 Hours
TFOCA II	Mating Durability	2000 Cycles	EIA/TIA-455-21
FDA / CDRH / IEC-825-1	Eye Safety	Class 1	No Safety Interlocks Required

MATERIALS

Item	Detail	Notes
D38999 & M83526 Cylindrical Shells	Aluminum	
D38999 & M83526 Finish	ZN-NI, OD-CD or NI	
D38999 Inserts	Thermoplastic	
Interfacial Seals	Elastomer	
Optical Ferrules	Zirconia	
Printed Circuits	FR-4	
Housing	Aluminum	

Single Port Stingray Series M83526/21-02 Connector, 100Base-TX to
100Base-FX Media Converter, Multimode, 1310nM, USB Powered (5.0VDC)

TRANSMITTERS T_A = Operating Temperature, V_{CC} = Operating Voltage Range

Parameter	Symbol	Minimum	Typical	Maximum	Unit
Optical Output Power	P_o	-19.0		-14.0	dBm
Optical Output Wavelength	λ_{OUT}	1260	1310	1380	nM

RECEIVERS T_A = Operating Temperature Range, V_{CC} = Operating Voltage Range

Parameter	Symbol	Minimum	Typical	Maximum	Unit
Optical Sensitivity	P_i	-31.5		-6.0	dBm
Optical Wavelength	λ_{IN}	1100		1590	nM

SUPPLY CURRENT T_A = Operating Temperature Range

Parameter	Symbol	Minimum	Typical	Maximum	Unit
Supply Current per Port	I_{CCT}		150	200	mA

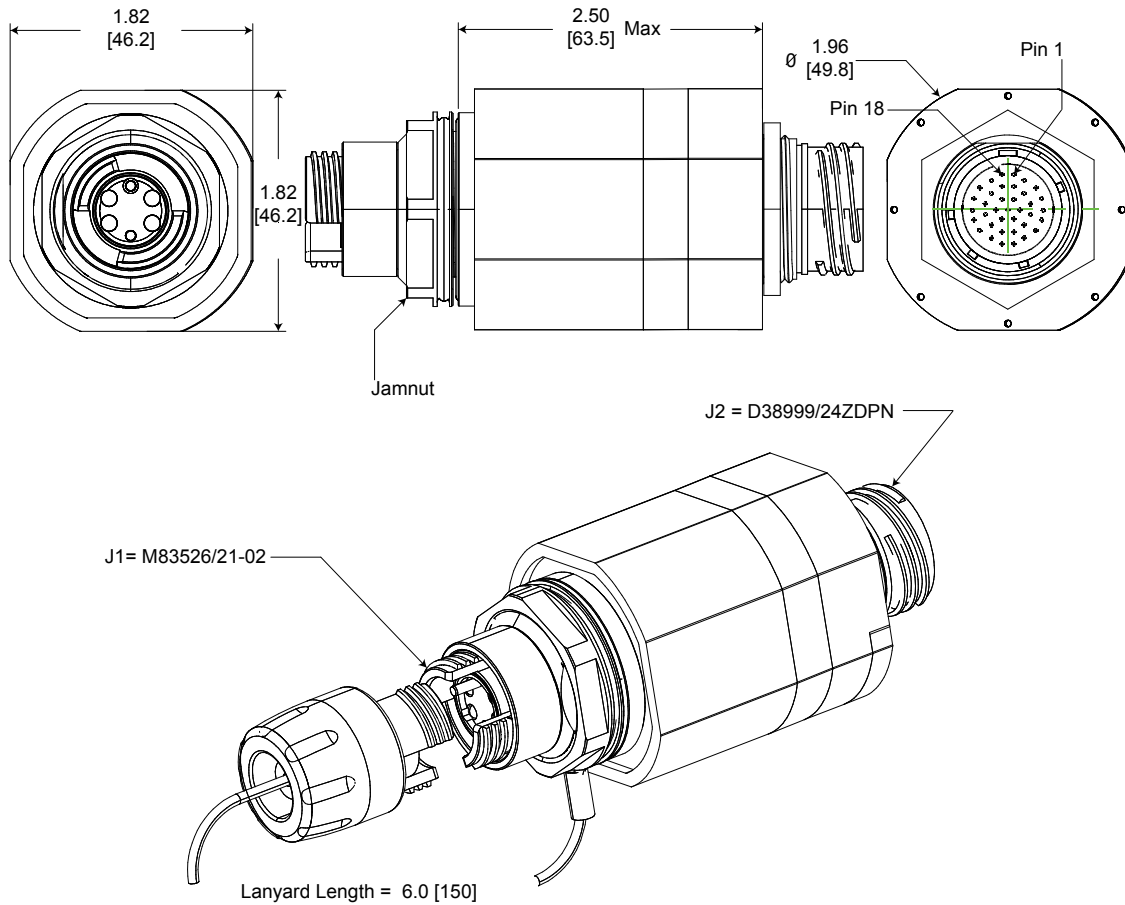
OPTICAL FIBER LINK DISTANCES

Application	Fiber Specification	Distance
Fast Ethernet - IEEE 802.3u	62.5/125 μ - 500MHz*Km	2.0Km
FDDI PMD ISO / IEC 9314-3	50/125 μ - 500MHz*Km	2.0Km

Single Port Stingray Series M83526/21-02 Connector, 100Base-TX to
100Base-FX Media Converter, Multimode, 1310nm, USB Powered (5.0VDC)

OUTLINE DRAWING

Dimensions are shown as: inches [mm]



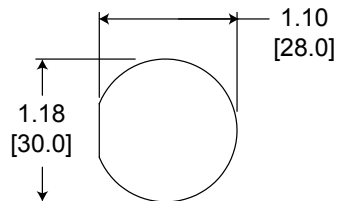
PORT / FUNCTION ASSIGNMENTS

Port #	Function
J1	1x100Base-FX
J2	1x100Base-TX + 5.0VDC

Panel Cutout Dimensions

Dimensions are shown as: inches [mm]

Panel Thickness: 3.0 - 6.5mm

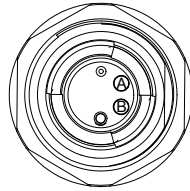


Single Port Stingray Series M83526/21-02 Connector, 100Base-TX to
100Base-FX Media Converter, Multimode, 1310nm, USB Powered (5.0VDC)

J1 PIN FUNCTIONS

Ethernet Port and Pin Assignments

Top



Front view of the media converter MIL-DTL-83526 optical
insert shown, fiber optic cable plug
opposite - see Appendix A1
for mating connector details

OPTICAL PORT ASSIGNMENTS

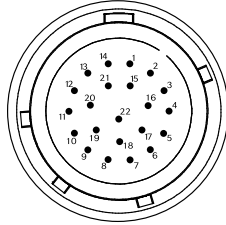
MIL-DTL-83526 OPTICAL INTERFACE

PORT NUMBER	TX	RX
0	B1	A1

Single Port Stingray Series M83526/21-02 Connector, 100Base-TX to
100Base-FX Media Converter, Multimode, 1310nm, USB Powered (5.0VDC)

J2 / D38999/24WD35PN ELECTRICAL PIN FUNCTIONS

TOP



Front view of the J2 connector shown - mating cable plug opposite

PIN #	PORT	FUNCTION	RJ-45 Eq. Pin #	Logic Family
1				
2				
3	N/A	NC	N/A	N/A
4				
5	0	5.0VDC Rtn	N/A	N/A
6				
7				
8				
9				
10	N/A	NC	N/A	N/A
11				
12				
13				
14	0	5.0VDC	N/A	N/A
15	0	TX+	1	IEEE-802.3:2005 100Base-TX
16	0	TX-	2	
17	0	RX+	3	
18	0	RX-	6	

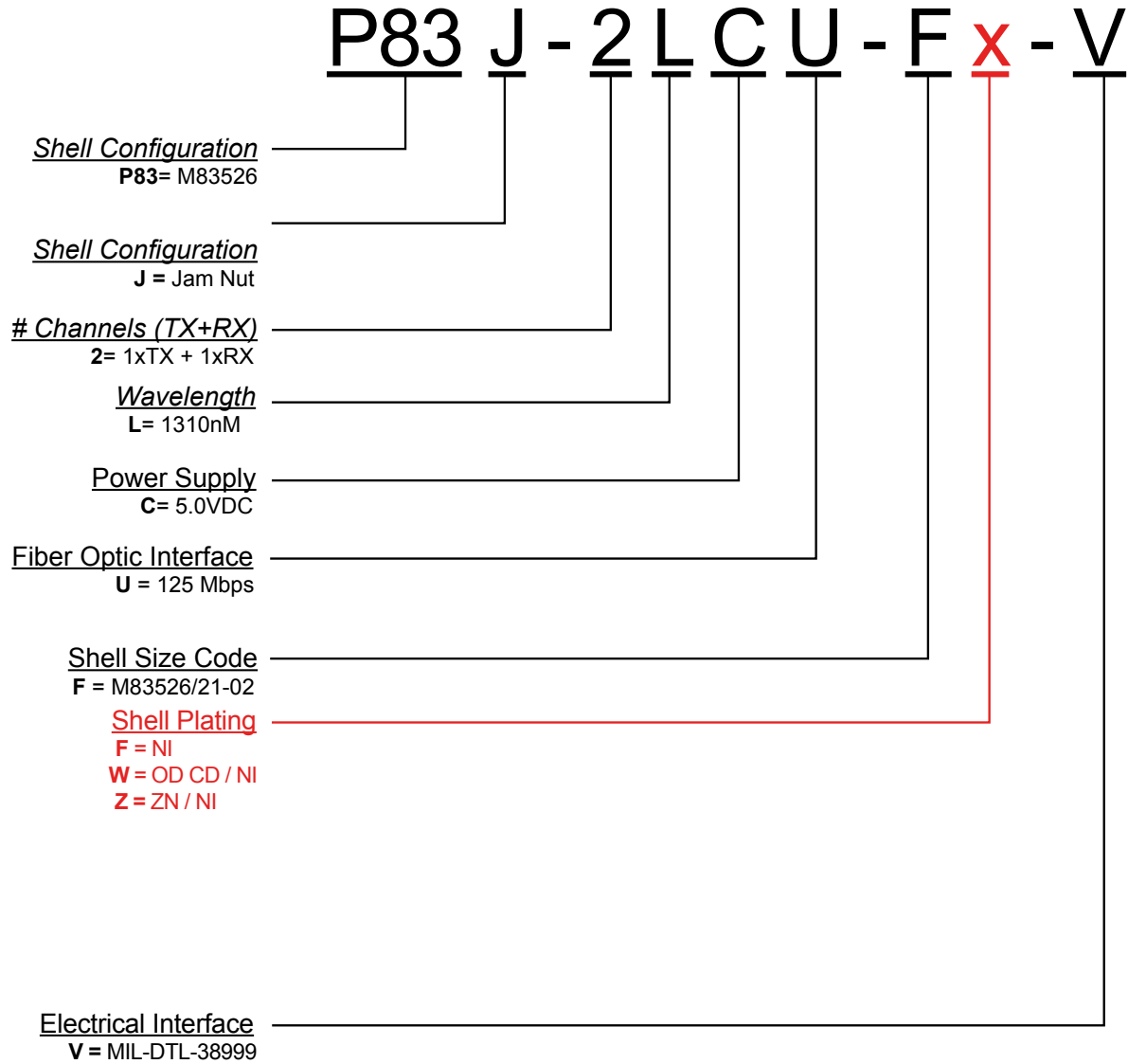
All others are signal GND

Single Port Stingray Series M83526/21-02 Connector, 100Base-TX to
100Base-FX Media Converter, Multimode, 1310nM, USB Powered (5.0VDC)

APPENDIX A1

PART NUMBER OPTIONS

M83526/21-02 Media Converter, Single Port, Fast Ethernet / Multimode / 1310nm / USB Powered



192 Bob Fitz Road, Johnson City, TN 37615
salesmp@moog.com
moogprotokraft.com

Product and company names listed are trademarks
or trade names of their respective companies.

© 2019 Moog, Inc. All rights reserved.

P83J-2LCU-FZ-V-DS
December 7, 2012 - Released