

SATURN SERIES

FAST ETHERNET, SEALED RJ-45 / LC, 100BASE-TX / FX MEDIA CONVERTER, 28 VDC, MULTIMODE, 1310 NM



Saturn series Fast Ethernet media converters consist of optoelectronic transmitter and receiver functions integrated along with the 100Base-TX Ethernet electrical to 100Base-FX Ethernet optical media conversion circuitry into an environmentally sealed unit.

The optical transmitters are high output 1310 nm LED's. The optical receivers consist of InGaAs PIN and preamplifier assemblies and limiting post-amplifiers.

The optical interface to the Saturn series optical media converters is an Amphenol LC-Field® connector enabling interconnection to preterminated LC based optical fiber cable assemblies.

The electrical interface to the Saturn series optical media converters is an Amphenol RJ-Field® connector enabling interconnection to preterminated RJ-45 Cat-5 patch cable assemblies.

- Sealed against liquid and solid contaminants
- Shock and vibration resistant

SINGLE PORT SATURN SERIES, SEALED RJ-45 / LC, 100BASE-TX TO 100BASE-FX, FAST ETHERNET MEDIA CONVERTER, MULTIMODE, 28 VDC, 1310 NM LED'S

Single Port, LC / RJ-45

Sealed LC to RJ-45 Optical to Electrical Media Converter

FEATURES

- Compliant with IEEE-802.3u Fast Ethernet
- Optical fiber link distances up to 2.0 kilometers
- Maximum optical channel bit error rate less than 2.5×10^{-10}
- Operating temperature range from -40° to +85° C
- Shock, vibration and ESD resistant per IEC 60068
- Olive drab cadmium or nickel plating meets stringent EMI / RFI performance specifications
- Aluminum alloy chassis and cylindrical connectors are strong, durable, corrosion resistant and light weight
- *LC-Field® compliant optical fiber connector interface
- *RJ-Field® electrical interface provides robust interconnection to vehicle wiring

APPLICATIONS

Saturn series Fast Ethernet media converters enable high speed network communications over long distances in harsh environments.

- Fast Ethernet switches and peripherals
- Telecom and datacom switch / router rack-to-rack links
- Storage or computation clusters

The Amphenol RJ-Field® and LC-Field® connectors provide sealed optical and electrical interfaces that are water-tight to IP67 / NEMA-4x when mated.

The multimode optical fiber interface supports applications where copper cable link distance, bandwidth, weight or bulk make the use of twisted pair, twinax or quadrax copper conductors unacceptable.

**RJ-Field® and LC-Field® are trademarks of Amphenol*

ORDERING INFORMATION

Application	Part Number
100Base-TX to FX, OD-CD	M45L-2LAU-FW
100Base-TX to FX, NI	M45L-2LAU-FF

SINGLE PORT SATURN SERIES, SEALED RJ-45 / LC, 100BASE-TX TO 100BASE-FX, FAST ETHERNET MEDIA CONVERTER, MULTIMODE, 28 VDC, 1310 NM LED'S

ABSOLUTE MAXIMUM RATINGS

Absolute maximum limits mean that no catastrophic damage will occur if the product is subjected to these ratings for short periods, provided each limiting parameter is in isolation and all other parameters have values within the performance specification. It should not be assumed that limiting values of more than one parameter can be applied to the product at the same time.

Parameter	Symbol	Minimum	Typical	Maximum	Unit
Storage Temperature	T _s	-55		+100	°C
Supply Voltage	V _{cc}	-0.5		45.0	V
Data Input Voltage	V _i	-0.5		V _{cc}	V

RECOMMENDED OPERATING CONDITIONS

Parameter	Symbol	Minimum	Typical	Maximum	Unit
Operating Temperature	T _A	-40		+85	°C
Supply Voltage	V _{cc}	+18.0	+28.0	+36.0	VDC
Power Supply Noise (p-p)	N _p			200	mV

INTERFACE SPECIFICATIONS COMPLIANCE

Requirement	Feature	Condition	Notes
MIL-STD-883	ESD	Class II	2200 V
MIL-STD-810	Vibration	3.8g ² / Hz	43G rms
MIL-STD-810	Shock	40.0 g	6-9 mS
MIL-STD-1344	Flame Resistance	Method 1012	30 Seconds
MIL-STD-1344	Damp Heat	10 Cycles	24 Hours
MIL-STD-38999	Mating Durability	500 Cycles	< 0.5 dB Change
FDA / CDRH / IEC-825-1	Eye Safety	Class 1	No Safety Interlocks Required

MATERIALS

Item	Detail	Notes
D38999 Cylindrical Shells	Aluminum Alloy	
Plating	Olive Drab Cadmium	
D38999 Inserts	Thermoplastic	
Interfacial Seals	Elastomer	
Optical Alignment Sleeves	Composite Polymer	
Printed Circuits	Polyimide / FR-4	MIL-P-31032 Type 4
Housing	Aluminum Alloy	
Weight	6.1 oz / 172.932 grams	

SINGLE PORT SATURN SERIES, SEALED RJ-45 / LC, 100BASE-TX TO 100BASE-FX, FAST ETHERNET MEDIA CONVERTER, MULTIMODE, 28 VDC, 1310 NM LED'S

TRANSMITTERS T_A = OPERATING TEMPERATURE RANGE

Parameter	Symbol	Minimum	Typical	Maximum	Unit
Optical Output Power	P_O	-19.0		-14.0	dBm
Optical Output Wavelength	λ_{OUT}	1260	1310	1380	nM

RECEIVERS T_A = OPERATING TEMPERATURE RANGE

Parameter	Symbol	Minimum	Typical	Maximum	Unit
Optical Sensitivity	P_I	-31.5		-12.0	dBm
Optical Wavelength	λ_{IN}	1100		1590	nM

SUPPLY CURRENT T_A = OPERATING TEMPERATURE RANGE

Parameter	Symbol	Typical	Maximum	Unit
Supply Current per Port	I_{OCT}	100	150	mA

OPTICAL FIBER LINK DISTANCES

Protocol	Cable Specification	Distance
Fast Ethernet - IEEE 802.3u FDDI PMD ISO / IEC 9314-3	62.5 / 125 μ - 500 MHz*Km	2.0 Km
	50 / 125 μ - 500 MHz*Km	2.0 Km

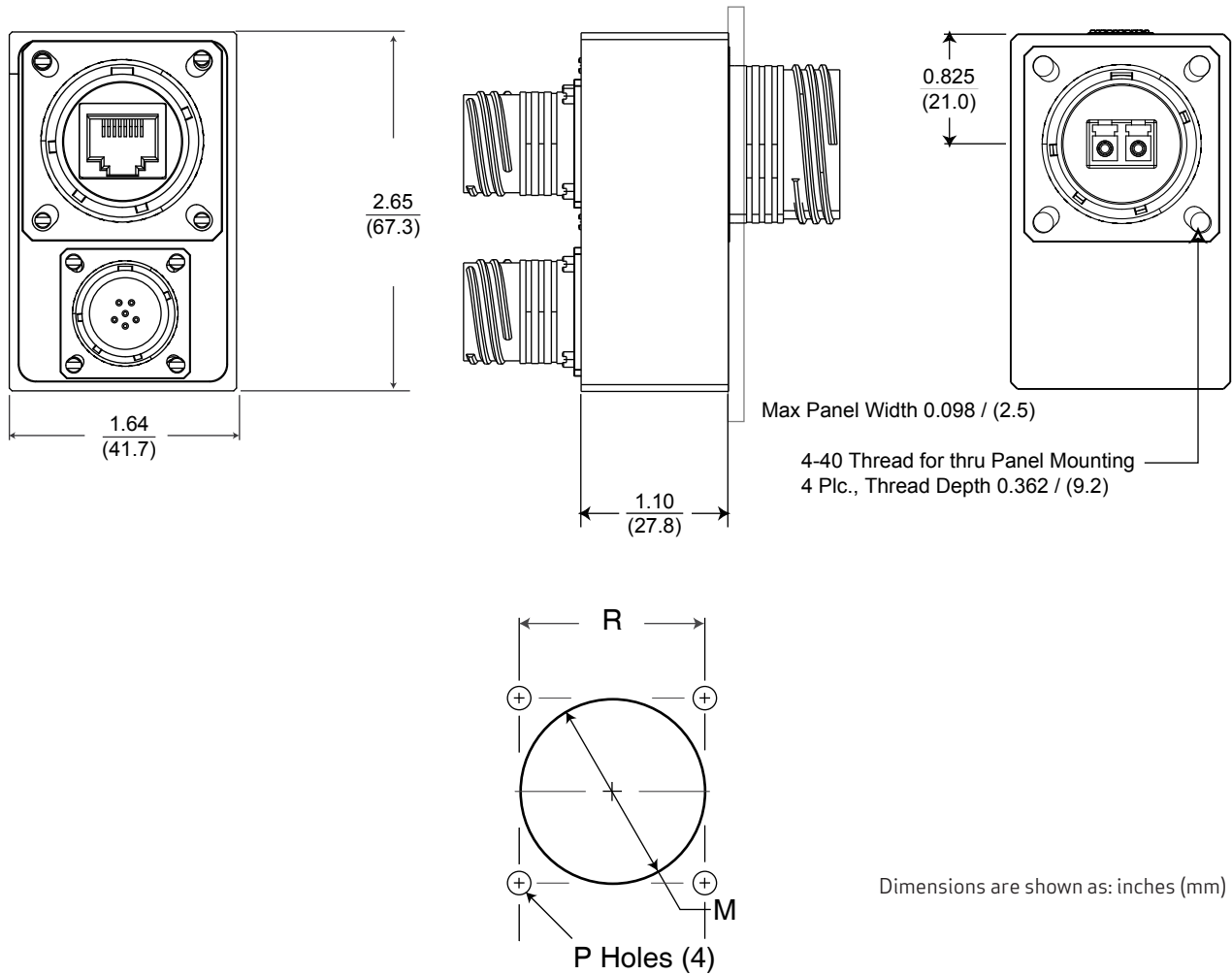
COPPER CABLE LINK DISTANCES

Protocol	Cable Specification	Distance
Fast Ethernet - IEEE 802.3u	TIA/EIA-568-B Cat 5*	100 M

*For other transmission media, please consult the factory.

SINGLE PORT SATURN SERIES, SEALED RJ-45 / LC, 100BASE-TX TO 100BASE-FX, FAST ETHERNET MEDIA CONVERTER, MULTIMODE, 28 VDC, 1310 NM LED'S

OUTLINE DRAWING

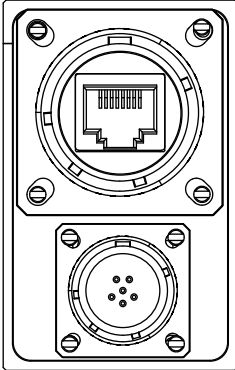
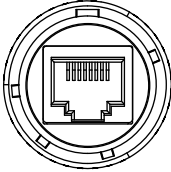
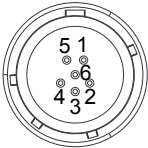


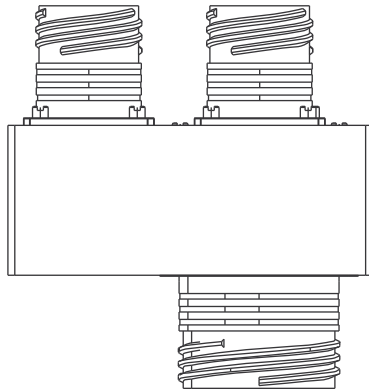
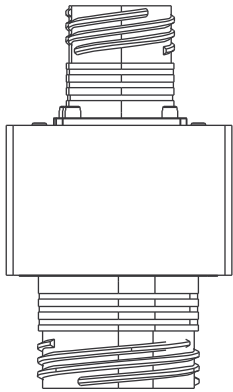
PANEL CUTOUT DIMENSIONS - REAR PANEL MOUNTING ONLY

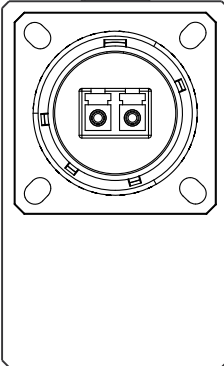
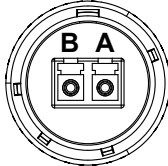
Shell Size Code	Shell Size	M Min	P Holes	R Bsc
F	19	1.297 (32.94)	0.133 (3.4) 0.123 (3.1)	1.156 (29.4)

SINGLE PORT SATURN SERIES, SEALED RJ-45 / LC, 100BASE-TX TO 100BASE-FX, FAST ETHERNET MEDIA CONVERTER, MULTIMODE, 28 VDC, 1310 NM LED'S

MEDIA CONVERTER INSERT ARRANGEMENTS

	Media Converter Insert Pin Numbers	Media Converter Pin Functions	Mating Cable Plug Connector P/N
		<p>100Base-TX See Appendix A5</p>	Cat-5 Twisted Pair Cable Amphenol P/N RJF22G
		<p>Power Supply Pin 1 = Case Ground Pin 2 = Case Ground Pin 3 = Case Ground Pin 4 = Case Ground Pin 5 = VEE Pin 6 = VCC</p>	20 Guage Copper Wire D38999 / 26WA35SN
Media Converter Fiber Pin Numbers and Functions Shown - Mating Cable Plug Opposite			

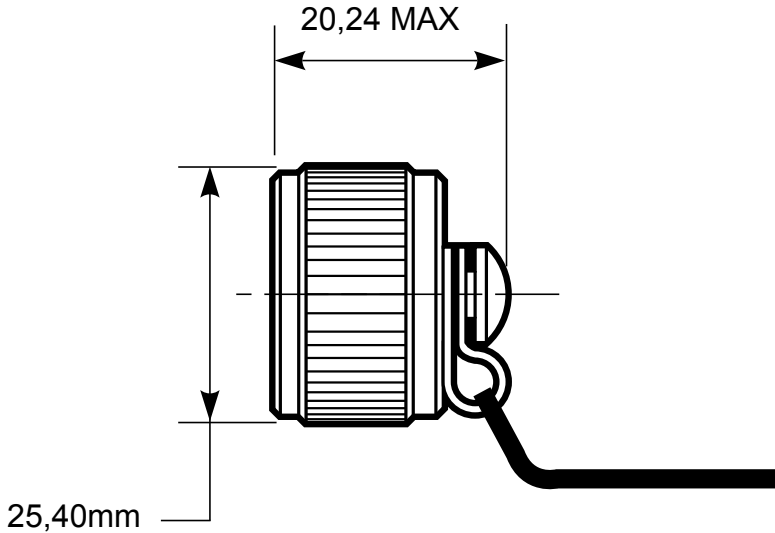


	Media Converter Insert Pin Numbers	Media Converter Pin Functions	Mating Cable Plug Connector P/N
		<p>100Base-FX Position B = Optical TX Position A = Optical RX</p>	62.5 / 125 Fiber Optic Cable Amphenol P/N LCFTV6xxGN
	Media Converter Fiber Pin Numbers and Functions Shown - Mating Cable Plug Opposite		

SINGLE PORT SATURN SERIES, SEALED RJ-45 / LC, 100BASE-TX TO 100BASE-FX, FAST ETHERNET MEDIA CONVERTER, MULTIMODE, 28 VDC, 1310 NM LED'S

APPENDIX A1 - AMPHENOL LC-FIELD® RECEPTACLE PROTECTIVE CAPS*

Plating	Wire Type	Part Number*
Olive Drab Cadmium	Nylon Cord	BFNTVW19
Olive Drab Cadmium	Metal Chain	BFTVW19
Nickel	Nylon Cord	BFNTVW19
Nickel	Metal Chain	BFTVW19



Nylon Cord shown above

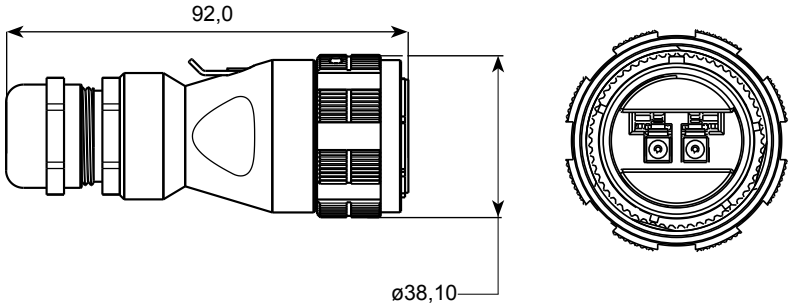
*Contact your local Amphenol Sales Representative for more information about the Amphenol LC-Field® Protective Caps

SINGLE PORT SATURN SERIES, SEALED RJ-45 / LC, 100BASE-TX TO 100BASE-FX, FAST ETHERNET MEDIA CONVERTER, MULTIMODE, 28 VDC, 1310 NM LED'S

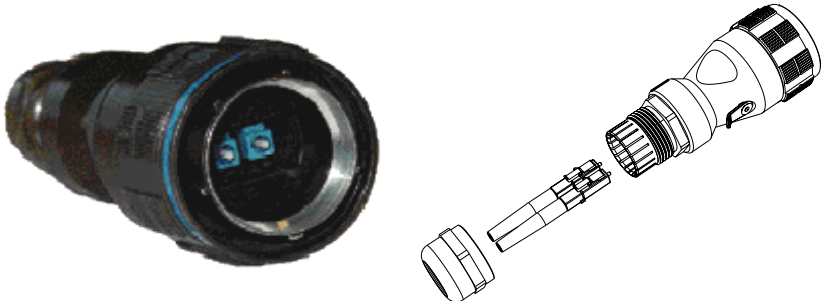
APPENDIX A2

AMPHENOL LC-FIELD® CABLE PLUGS*

Plating	Amphenol Part Number*
Olive Drab Cadmium	LCFTV6MGN
Nickel	LCFTV6MNN



*Contact your local Amphenol Sales Representative for more information about the Amphenol LC-Field® Cable Plugs.

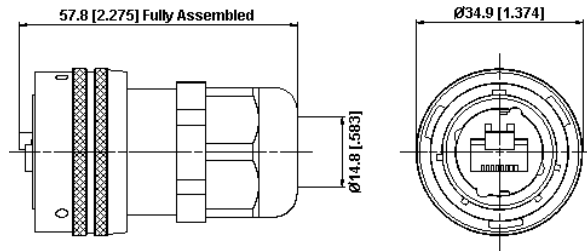


SINGLE PORT SATURN SERIES, SEALED RJ-45 / LC, 100BASE-TX TO 100BASE-FX, FAST ETHERNET MEDIA CONVERTER, MULTIMODE, 28 VDC, 1310 NM LED'S

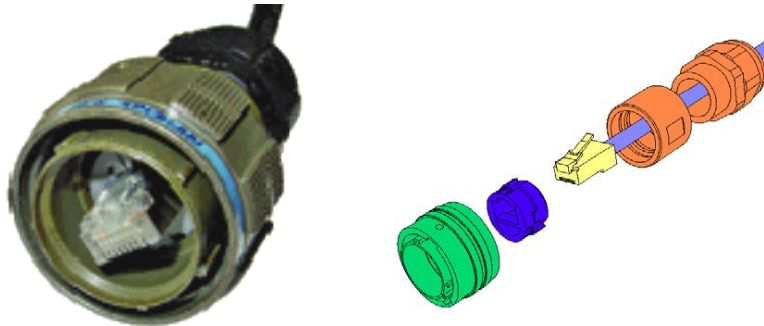
APPENDIX A3

AMPHENOL RJ-FIELD® CABLE PLUGS*

Plating	Amphenol Part Number*
Olive Drab Cadmium	RJFTV6MG
Nickel	RJFTV6MN



*Contact your local Amphenol Sales Representative for more information about the Amphenol LC-Field® Cable Plugs.

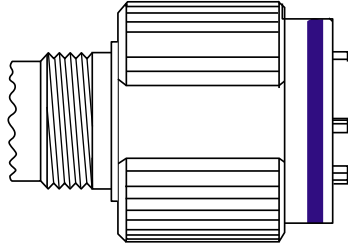


SINGLE PORT SATURN SERIES, SEALED RJ-45 / LC, 100BASE-TX TO 100BASE-FX, FAST ETHERNET MEDIA CONVERTER, MULTIMODE, 28 VDC, 1310 NM LED'S

APPENDIX A4 - POWER CABLE - PLUG CONFIGURATION

POWER CABLE PLUG - SOCKET INSERT*

Plating	Generic Part Number	Amphenol Part Number*
Olive Drab Cadmium	D38999/26WA35SN	TV06RW-9-35SN
Nickel	D38999/26FA35SN	TV06RF-9-35SN



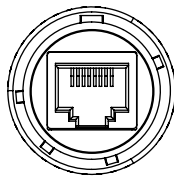
POWER CABLE PLUG - SOCKET CONTACTS*

Configuration	Generic Part Number	Amphenol Part Number*
Size 22D	M39029 / 56-348	10-407035-725

*Contact your local Amphenol Sales Representative for more information about the Amphenol LC-Field® Cable Plugs.

SINGLE PORT SATURN SERIES, SEALED RJ-45 / LC, 100BASE-TX TO 100BASE-FX, FAST ETHERNET MEDIA CONVERTER, MULTIMODE, 28 VDC, 1310 NM LED'S

APPENDIX A5 - RJ-45 ELECTRICAL DATA CABLE - CONNECTOR WIRING SCHEMATIC



RJ-45 MDIX WIRING FOR CONNECTION TO SWITCH, HUB OR ROUTER

RJ-45 Equivalent Pin Number	Function
1	TX+
2	TX-
3	RX+
6	RX-

RJ-45 MDI WIRING FOR CONNECTION TO WORKSTATION, LAPTOP OR NIC

RJ-45 Equivalent Pin Number	Function
3	TX+
6	TX-
1	RX+
2	RX-

TX FUNCTIONS ARE OUTPUTS, RX FUNCTIONS ARE INPUTS,
ALL OTHERS ARE SIGNAL GND



192 Bob Fitz Road, Johnson City, TN 37615
salesmp@moog.com
moogprotokraft.com