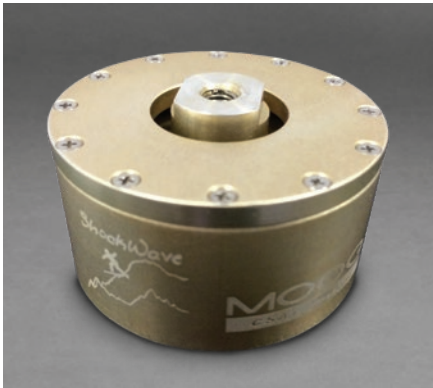


SHOCKWAVE ISOLATOR



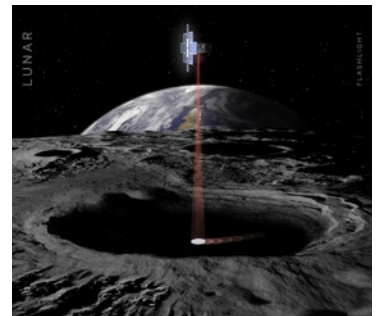
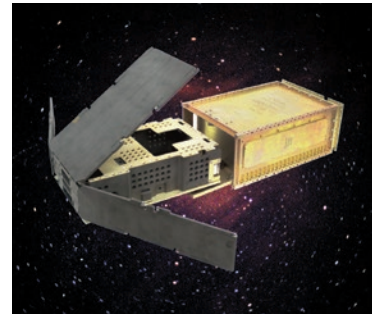
Moog's ShockWave isolator product family is the perfect solution for small payload and CubeSat launch isolation. ShockWave leverages over two decades of spaceflight hardware heritage and packages launch worthy technology into a reliable, predictable system at a price point that is comparable to non-aerospace worthy, elastomeric isolation mounts.

KEY FEATURES

- Low-mass, low-profile isolation mounts
- Suitable for shock and random vibration load attenuation
- Configurable with metric and standard interfaces
- Predictable attenuation through an all metallic load path
- Robust performance over the launch operational environment
- Provides greater than 20% of critical damping

PROVIDES VIBRATION ISOLATION FOR THE APPLICATIONS

- CubeSat Dispensers
- Optical Mounts
- Machine Tools
- Electronics Components
- Directed Energy Systems



SHOCKWAVE ISOLATOR

The following table provides measured stiffness values for the ShockWave part number SW-150-1000-190 across a broad frequency range.

NOMINAL STIFFNESS (SW-150-1000-190)			
Description	20 Hz	50 Hz	100 Hz
Axial (lbf/in)	2,300	2,700	3,200
Lateral (lbf/in)	4,400	5,800	7,900

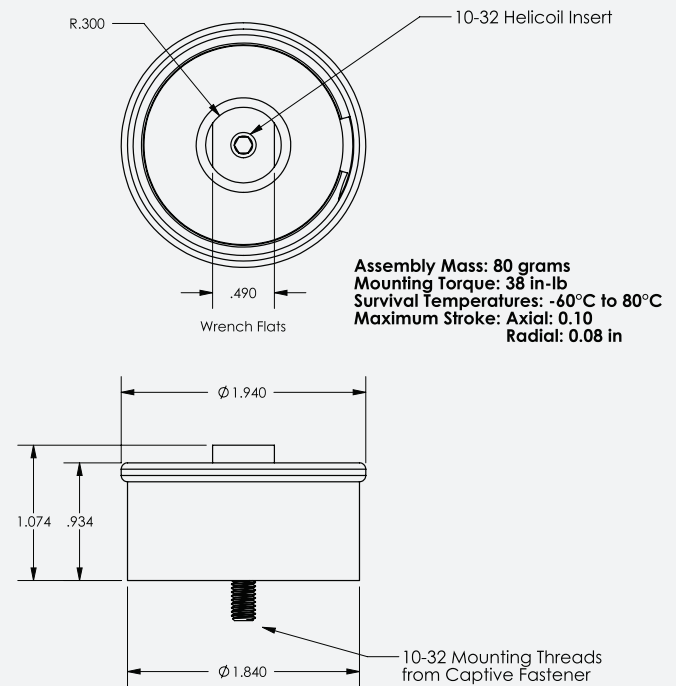
The ShockWave isolator is modular and configurable. It will accommodate a wide variety of spacecraft configurations. The following tables provide predicted frequencies for 3U, 6U, and 12U spacecraft with varying mass. These tables are a guide for specifying quantity and configuration of ShockWave.

3U					
4kg, 4 Isolators		6 kg, 6 Isolators		8 kg, 6 Isolators	
Mode No.	Frequency (Hz)	Mode No.	Frequency (Hz)	Mode No.	Frequency (Hz)
1	53	1	53	1	46
2	64	2	67	2	58
3	96	3	96	3	84

6U					
8kg, 6 Isolators		12 kg, 8 Isolators		16 kg, 8 Isolators	
Mode No.	Frequency (Hz)	Mode No.	Frequency (Hz)	Mode No.	Frequency (Hz)
1	58	1	55	1	48
2	73	2	68	2	59
3	84	3	80	3	69

12U					
16kg, 12 Isolators		24 kg, 12 Isolators		32 kg, 12 Isolators	
Mode No.	Frequency (Hz)	Mode No.	Frequency (Hz)	Mode No.	Frequency (Hz)
1	41	1	34	1	29
2	54	2	44	2	38
3	84	3	69	3	60

MECHANICAL DIMENSIONS (IN INCHES) VIEW ICD FOR FURTHER DETAIL - METRIC INTERFACE UPON REQUEST



MOOG
SPACE AND DEFENSE GROUP

Jackson Smith, Senior Engineer
 Tel +1 650 960 4278
 jsmith18@moog.com



MoogSpace and Defense



@MoogSDG



@MoogSDG



@MoogSDG



@MoogInc

Equipment described herein falls under the jurisdiction of the EAR and may require US Government Authorization for export purposes. Diversion contrary to US law is prohibited.

© 2021 Moog, Inc. All rights reserved.

Product and company names listed are trademarks or trade names of their respective companies.