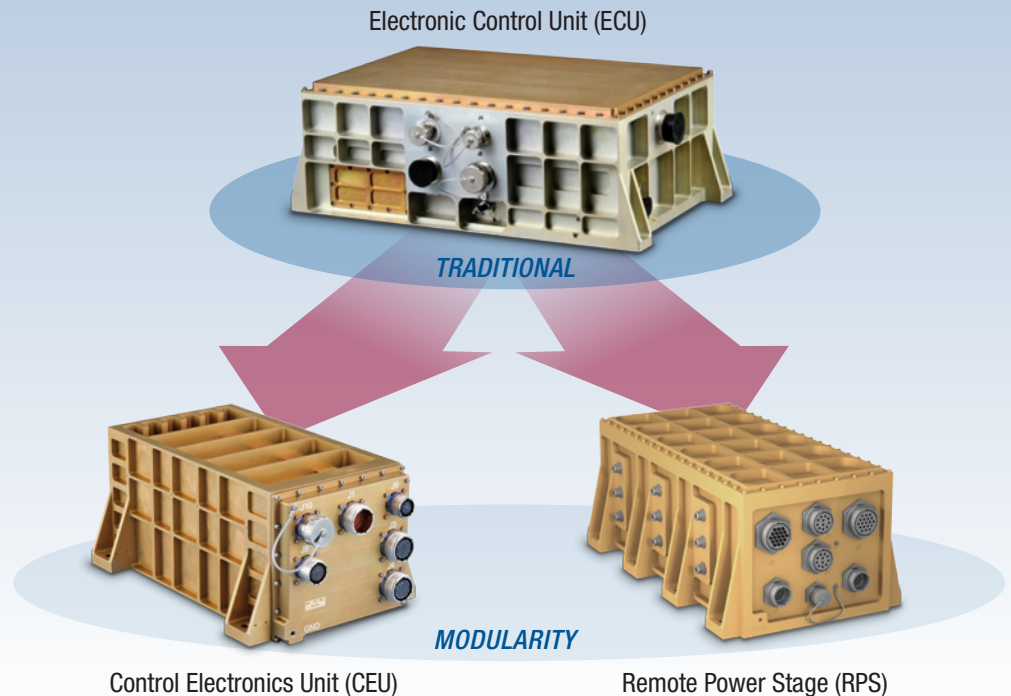


# Remote Power Stage

The Remote Power Stage (RPS) offers two channels of motor drive control while pulse width modulating up to 280V of bus voltage. The RPS allows for feedback and control circuit pass through via a 28V common bus. The box is sized to maximize application of core IGBT module in a sealed enclosure.

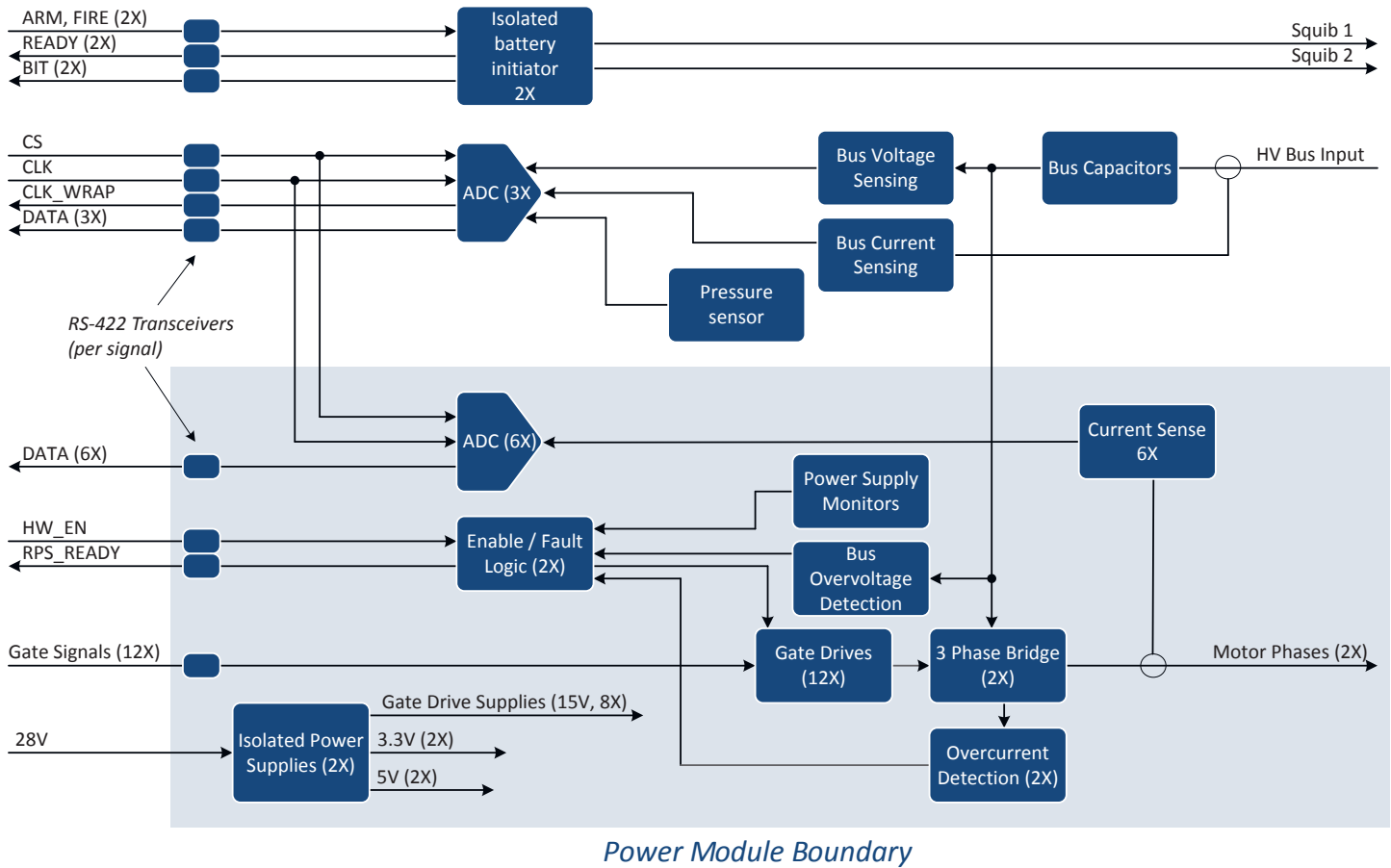
## Key Features

- Isolates high voltage components from low voltage controls
- Battery initiation capability
- Access connector for ground support and pre-flight check-out
- RS-422 Communication/Control
- Built-in Power Supply Monitor/Fault Detection
- Supports modular architecture solutions

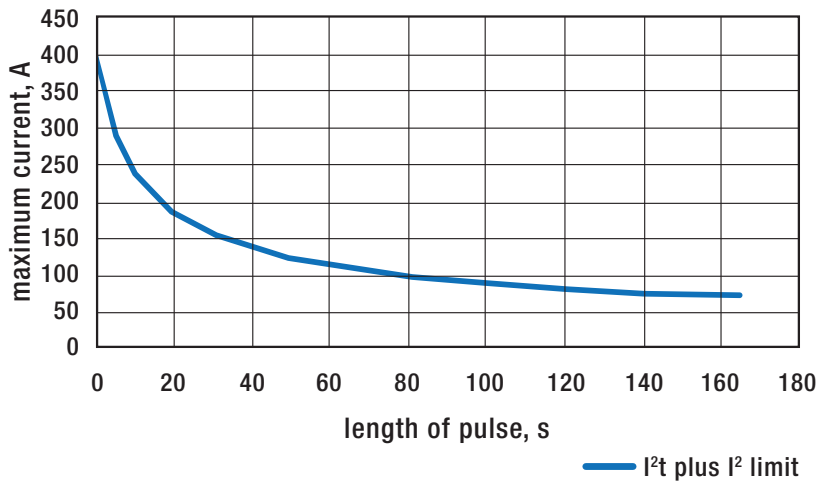


# Remote Power Stage

## RPS Power Drive Schematic



## Output Phase Current



## Performance Characteristics

Characteristic	200 AMP	600 AMP
Model	RPS60202	RPS60602
Input Voltage	300V	300V
Output Current	133A	400A
Max Power	40kW	120kW
Thermal Rating	10kW	30kW
Altitude	Unlimited	Unlimited
Weight	29lbs	47lbs

**MOOG**  
SPACE AND DEFENSE GROUP

For More Information:

Marc Chaves +1 (716) 687-4495 mchaves@moog.com