



Pilot-Operated Isolation Valve

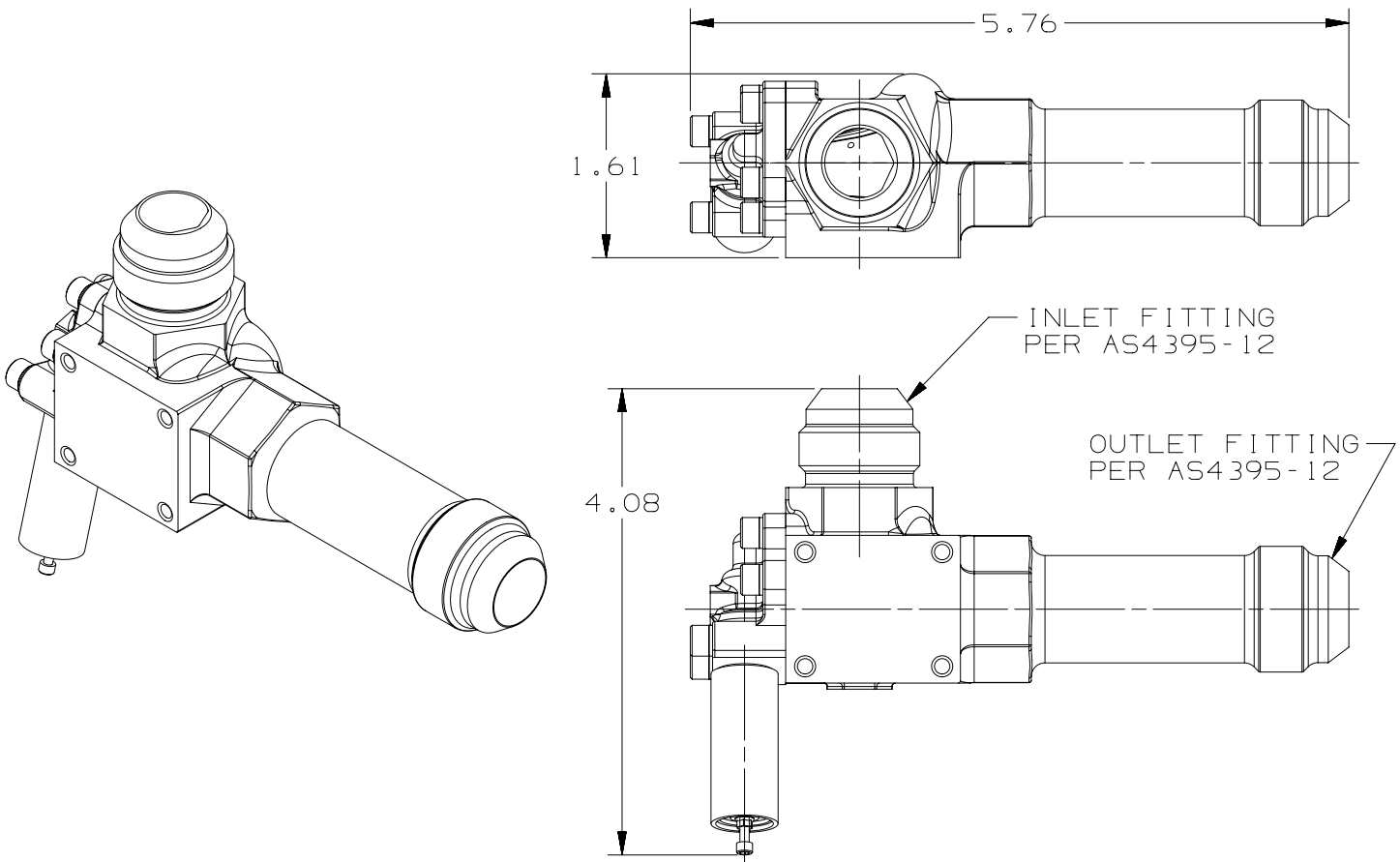
Externally vented, pilot-operated solenoid valve, light-weight Titanium design, high flow, cryo capable

Key Features

- High pressure – 5000 psi MDP
- Additive manufactured titanium housing
- High flow rate – 0.4 lbm/sec Helium
- Lightweight design 1.0 lbm

Pilot-Operated Isolation Valve

Performance Characteristics	
Characteristic	Performance / Interfaces
Mass per unit	Baseline (no cover on solenoid): 1.0 lbm
Dimensions	5.25 x 4.0 x 1.7 inch
Operating Voltage	28 VDC
Current Draw	<1.0 Amp
Leakage - Internal	1x10-5 sccs @70°F; 1x10-3 sccs @ -290°F
Leakage - external	1x10-
Response - open	9 msec
Response - close	9 msec
Operating temperature (ambient / cryo versions)	-65°F to +140°F / -290°F to +140°F
Cycles	100



MOOG
SPACE AND DEFENSE GROUP

For More Information:

Chet Crone +1 (818) 576-6823 ccrone@moog.com